

APPLICATIONS

The Nyborg axial fans are heavy duty fans designed for marine applications.

The fans are delivered in sizes from $\varnothing 250$ to $\varnothing 1600$ with capacities up to 200.000 m³/h and static pressures up to 1600 Pa.

EXECUTION

The MPV fans are heavy duty fans designed for marine applications, manufactured in mild steel, hot dip galvanized.

OPTIONAL EXECUTION

Fan in stainless steel execution (aisi304/316)

Fan in alum execution,

IMPELLER:

The MPV fans are made in two versions with two different impellers:

MPV-A1 – with A impeller for fan without guide vanes

A simple and robust design often makes this the most cost effective alternative. The impeller is made of sea water resistant alum and is cast id one unit and has a high reversible capacity (approx 60% of normal capacity). The model is most suitable for high air volumes and low to medium/moderate pressures. The fan with the A impeller also have a small “stall” area.

For sizes from $\varnothing 250$ up to $\varnothing 500$ mm the fan can be delivered with an impeller made of reinforced polypropylene. with variable pitch.

MPV – D1

With D impeller for fan with guide vanes:

The axial fans with the D impeller is equipped with guide vanes for higher pressures and efficiency. The impeller is made of sea water resistant alum and has variable pitch to easier suit different capacities and pressures.

Due to the guide vanes the fan can achieve pressures up to 1600 Pa.

CASING

The MPV fan is made in four models

- **MPV – A1K/D1K** – tube fan for installing in duct or end of duct, with inspection cover and cable glands in casing
- **MPV – A1E/D1E** – for duct connection / duct end installation. The fan is with short casing and inlet cone for better performance. The motor is outside of the casing for easy accessibility. As standard a protection grid is fitted to the fan.
- **MPV – A1B** – for wall mounting The fan is with inlet cone for smaller pressure drop and better performance and is delivered with a protection grid (wire guard) as standard.
- **MPV – A1M/D1M** – for installing in duct or duct end. The fan is a swing out construction where motor and impeller can be swung out for maintenance (and inspection).



ELECTRIC MOTOR

The motors are as standard TEFC squirrel caged inductive electric motors in marine execution.

Motors are IP55 and insulation class F as standard.

The fans can also be equipped with EX motors class Exe (increased safety) , Exd or Exde (explosion-/flameproof) or EXN motors.

Motor options:

- IP56, IP65 or IP66,
- anti condensing heating element
- offshore painting
- Vibration monitoring

SPECIAL DESIGNS

- Spark proof execution/design with anti spark track
- Thick casing, 6, 8 or 10mm thickness
- Short casing (MPV – A1K/D1K)
- special bolt division circle
- fan with guide vanes before and after impeller for extra high pressures

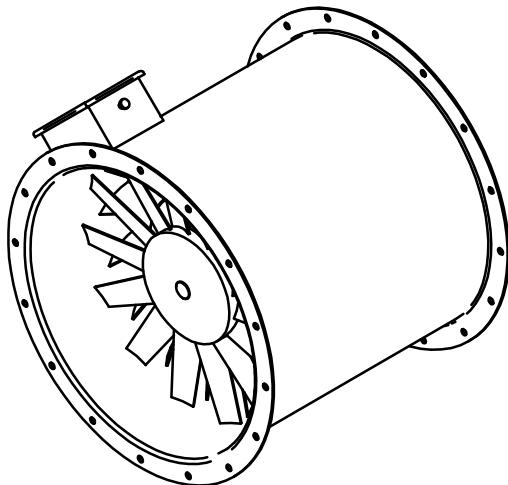
ACCESSORIES

Accessories	MPV A1K MPV D1K	MPV A1E MPV D1E	MPV A1M MPV D1M	MPV – A1B
Counter flanges	yes	yes	yes	-
Foundation	yes	yes	yes	-
Protection grid inlet/outlet	yes	1 pc incl.	yes	1 pc incl.
Feet for horizontal (or vertical) mounting	yes	-	yes	-
Flexible connection	yes	yes	yes	-
External terminal box	yes	-	yes	-
Separate inlet cone	yes	-	yes	-
Lubrication points for motor outside fan casing	yes	-	(yes)	-
Vibration monitoring of motor	yes	yes	yes	yes
Vibration monitoring of motor with measuring points outside of casing.	yes	-	yes	-

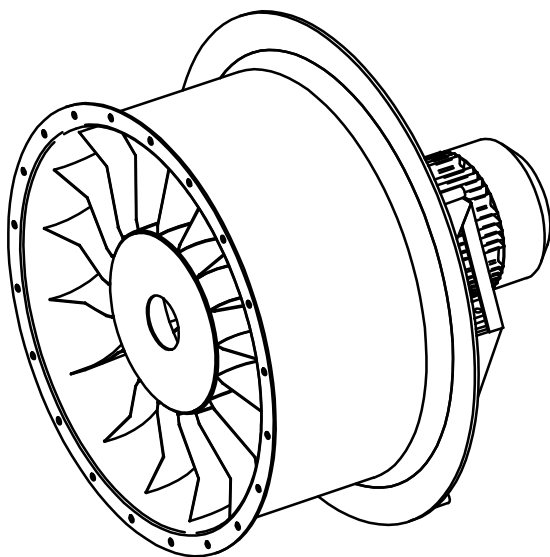


VANEAXIAL FANS

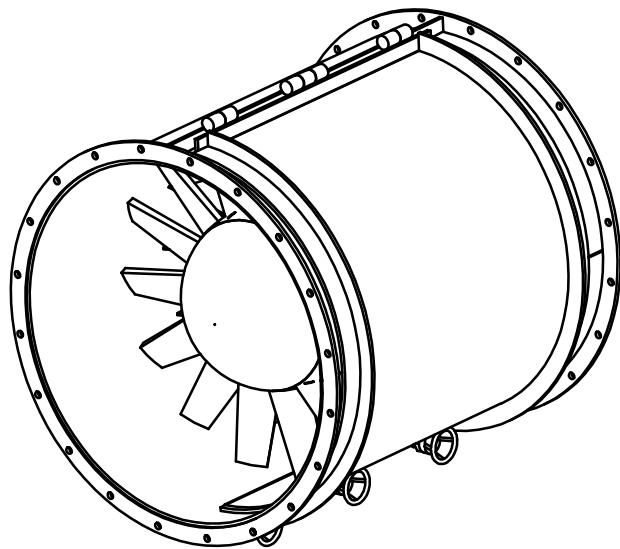
MPV - D1K



MPV -D1E



MPV - D1M



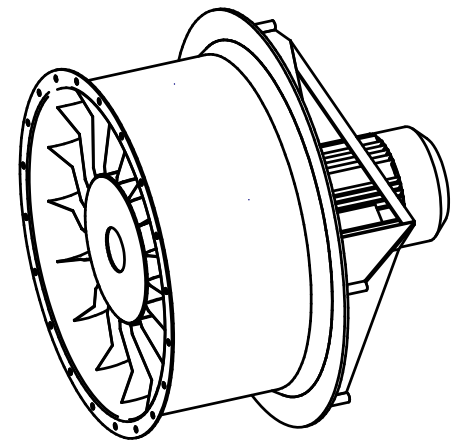
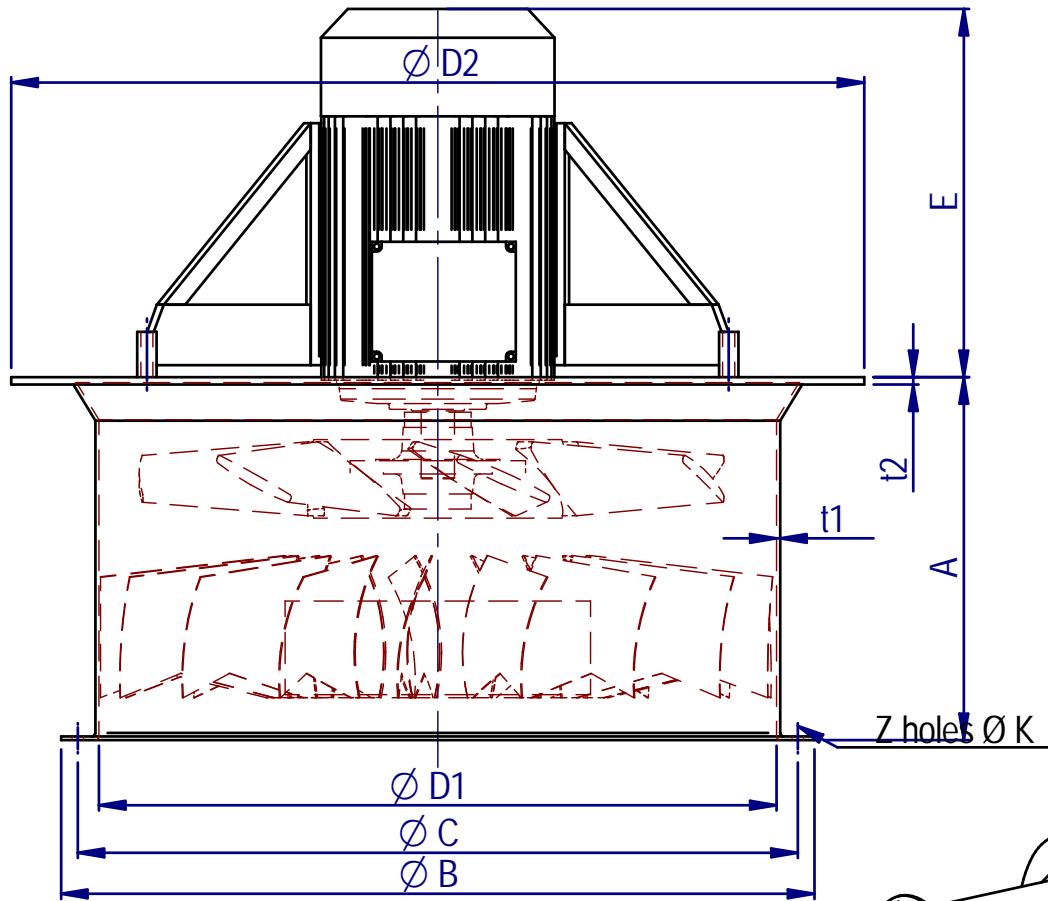
N Y B O R G A S

N-6230 SYKKYLVEN, NORWAY
TEL +47 70 25 40 80 - FAX +47 70 25 29 08
office@nyborgfan.com - www.nyborgfan.com



NYBORG VANEAXIAL FAN Type "E"

MPV - D1E



MPV	A	B	C	D1	D2	E	t1	t2	Z x K
250		337	310	250	280		3	6	8x12
315		387	360	315	430		3	6	8x14
355		442	405	355	485		3	6	8x14
400		492	460	400	530		4	6	12x14
450		542	510	450	595		4	6	12x14
500		592	560	500	660		4	6	12x14
630		741	698	630	820		4	8	16x14
710		816	775	710	900		4	8	16x14
800		911	870	800	990		4	8	16x19
900		1028	980	900	1110		5	8	16x19
1000		1120	1080	1000	1275		6	8	20x19
1120		1248	1200	1120	1405		6	10	20x19
1250		1380	1320	1250	1550		6	10	24x14
1400		1530	1490	1400	1740		6	10	32x19

Tegn.nr.: 2-2234

N Y B O R G A S

Dato: 08.05.2007
Tegn. av: SA.Drabløs

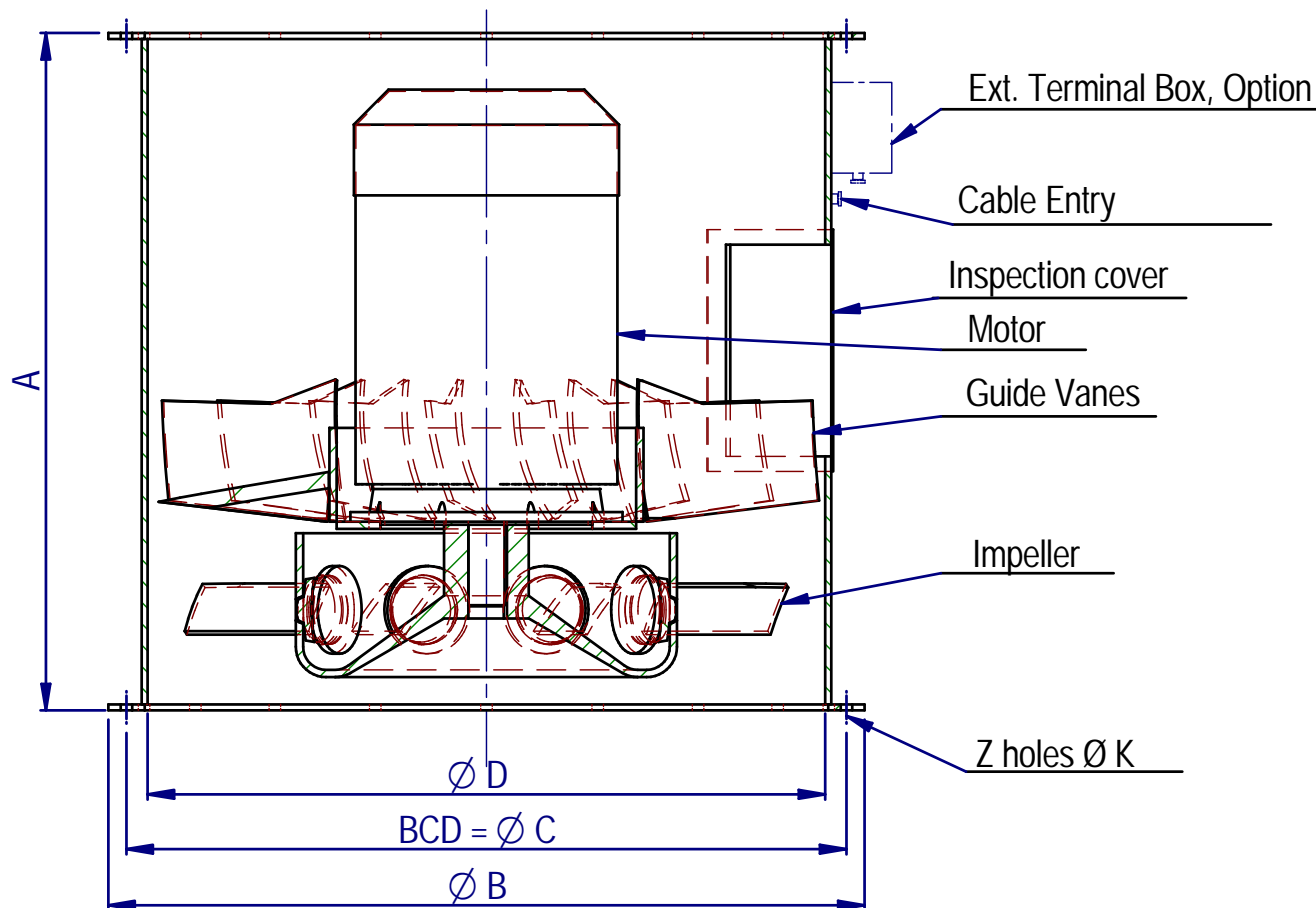
N-6230 SYKKYLVEN, NORWAY
TEL +47 70 25 40 80 - FAX +47 70 25 29 08
office@nyborgfan.com - www.nyborgfan.com

MPV - D1E

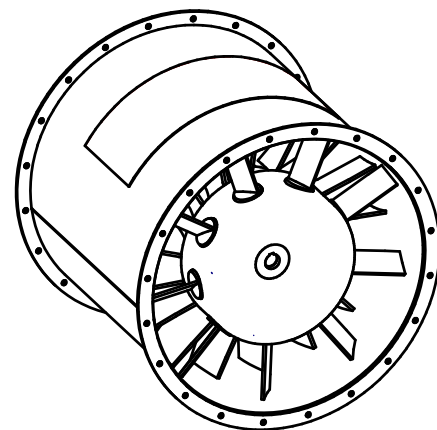


NYBORG VANEAXIAL FAN Type "K"

MPV - D1K



MPV	A	B	C	D	T	Z x X	Weight [kg] excl. motor
250	400	334	310	250	3	8 x 12	22
315	350	400	360	315	3	8 x 14	25
355	455	440	405	355	3	8 x 14	46
400	410	484	460	400	3 (10)	12 x 14	52 (65)
500	600	584	560	500	3	12 x 14	80
630	510	736	698	630	4 (10)	16 x 14	81 (132)
710	660	806	775	710	4 (10)	16 x 14	126 (202)
800	720	906	870	800	4 (10)	16 x 19	146 (236)
900	970	1028	980	900	5 (10)	16 x 19	230 (336)
1000	970	1128	1080	1000	5 (10)	20 x 19	246 (377)
1120	1050	1228	1200	1120	5 (10)	20 x 19	337 (480)
1250	1200	1380	1320	1250	6 (10)	24 x 14	401 (588)
1400	1300	1530	1490	1400	6 (10)	32 x 19	573 (842)
1600	1600	1730	1690	1600	6 (10)	32 x 19	745 (1095)



Tegn.nr. 4-2226

N Y B O R G A S

Dato 16.12.2002
Tegn. av R.Berge

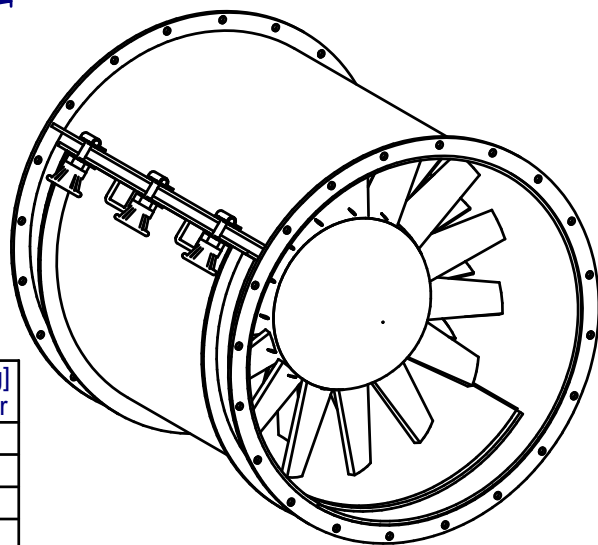
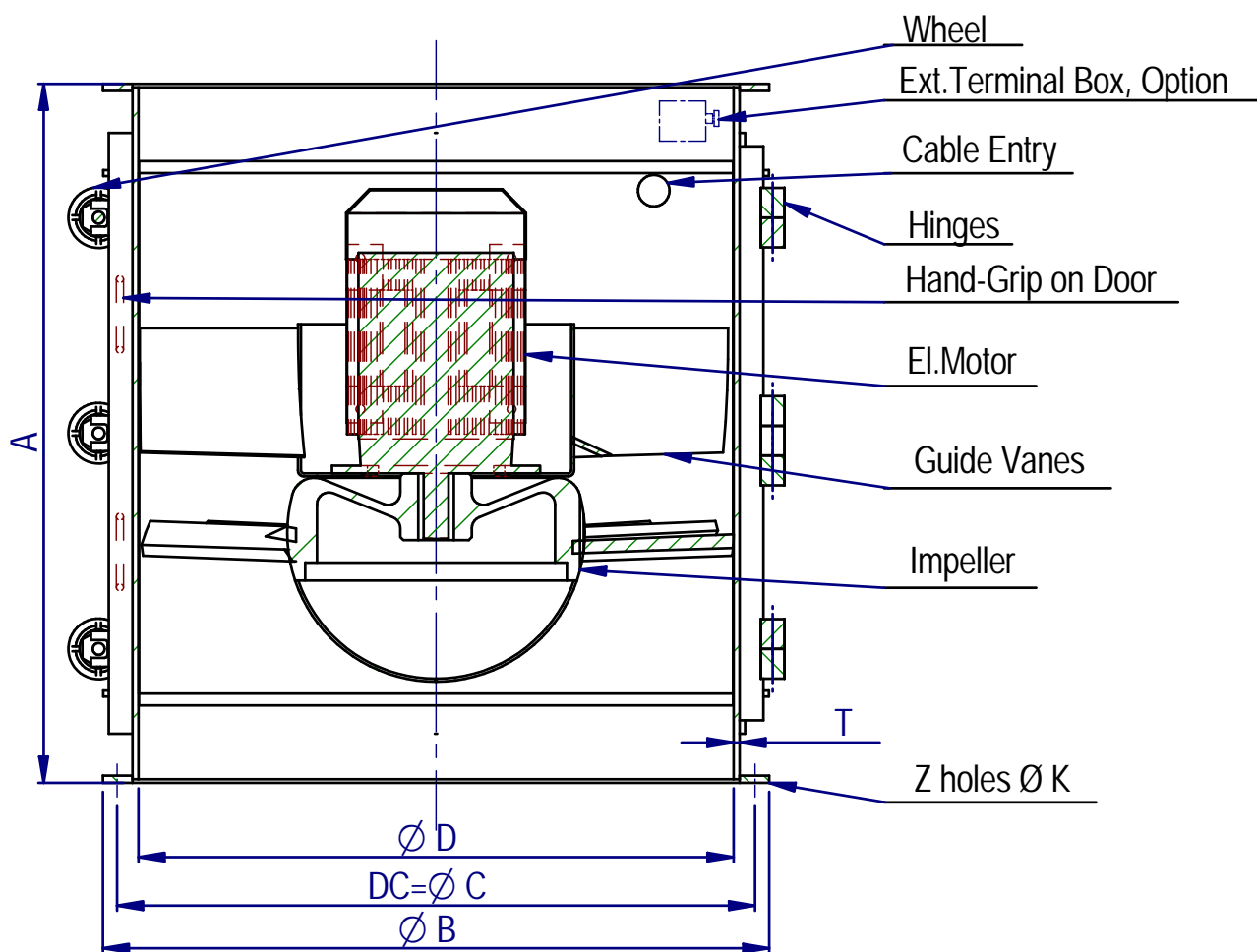
N-6230 SYKKYLVEN, NORWAY
TEL +47 70 25 40 80 - FAX +47 70 25 29 08
office@nyborgfan.com - www.nyborgfan.com

MPV - D1K



NYBORG VANEAXIAL FAN Type "M"

MPV - D1M



MPV	A	B	C	D	T	Z x X	Weight [kg] excl. motor
400	550	484	460	400	10	12x14	95
500	600	584	560	500	10	12x14	130
630	685	736	698	630	10	16x14	185
710	825	816	775	710	10	16x14	261
800	890	906	870	800	10	16x19	303
900	1175	1028	980	900	10	16x19	434
1000	1175	1128	1080	1000	10	20x19	476
1120	1250	1248	1200	1120	10	20x19	598
1250	1400	1380	1320	1250	10	24x14	675
1400	1500	1530	1490	1400	10	32x19	750
1600	1400	1740	1685	1600	10	32x14	1095

Tegn.nr. 4-2228

N Y B O R G A S

Dato: 16.12.2002
Tegn. av: R.Berge

N-6230 SYKKYLVEN, NORWAY
TEL +47 70 25 40 80 - FAX +47 70 25 29 08
office@nyborgfan.com - www.nyborgfan.com

MPV - D1M

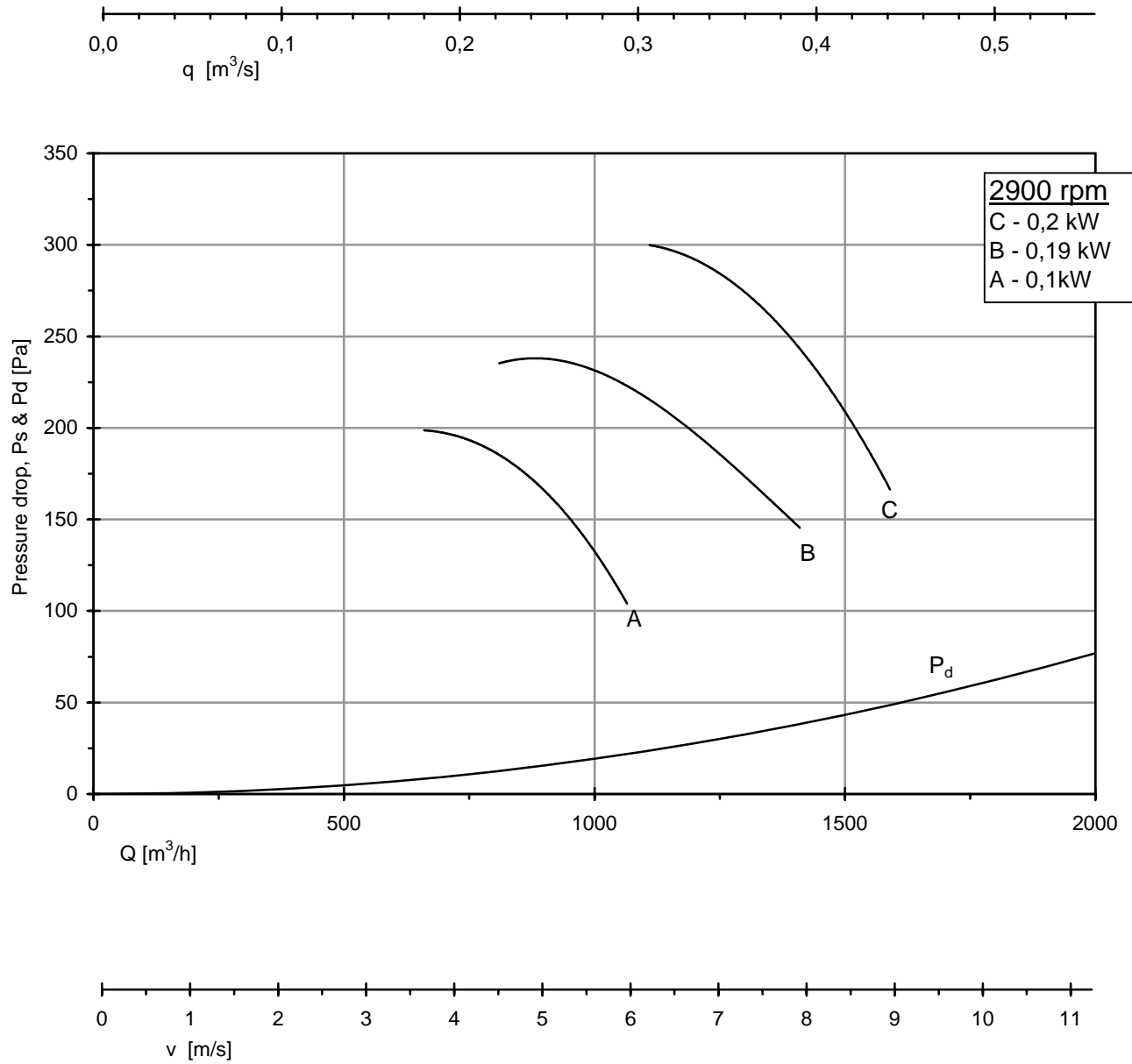


NYBORG VANEAXIAL FAN PERFORMANCE DATA

Speed 2900 rpm (50Hz)

MPV 250 D

Imp: WOMR-25



N Y B O R G A S

N-6230 Sykkylven, Norway

TEL +47 7025 4080 - FAX +47 7025 2908

office@nyborgfan.com - www.nyborgfan.com

nybmw_xls03-4
23.09.2005

MPV 250 D

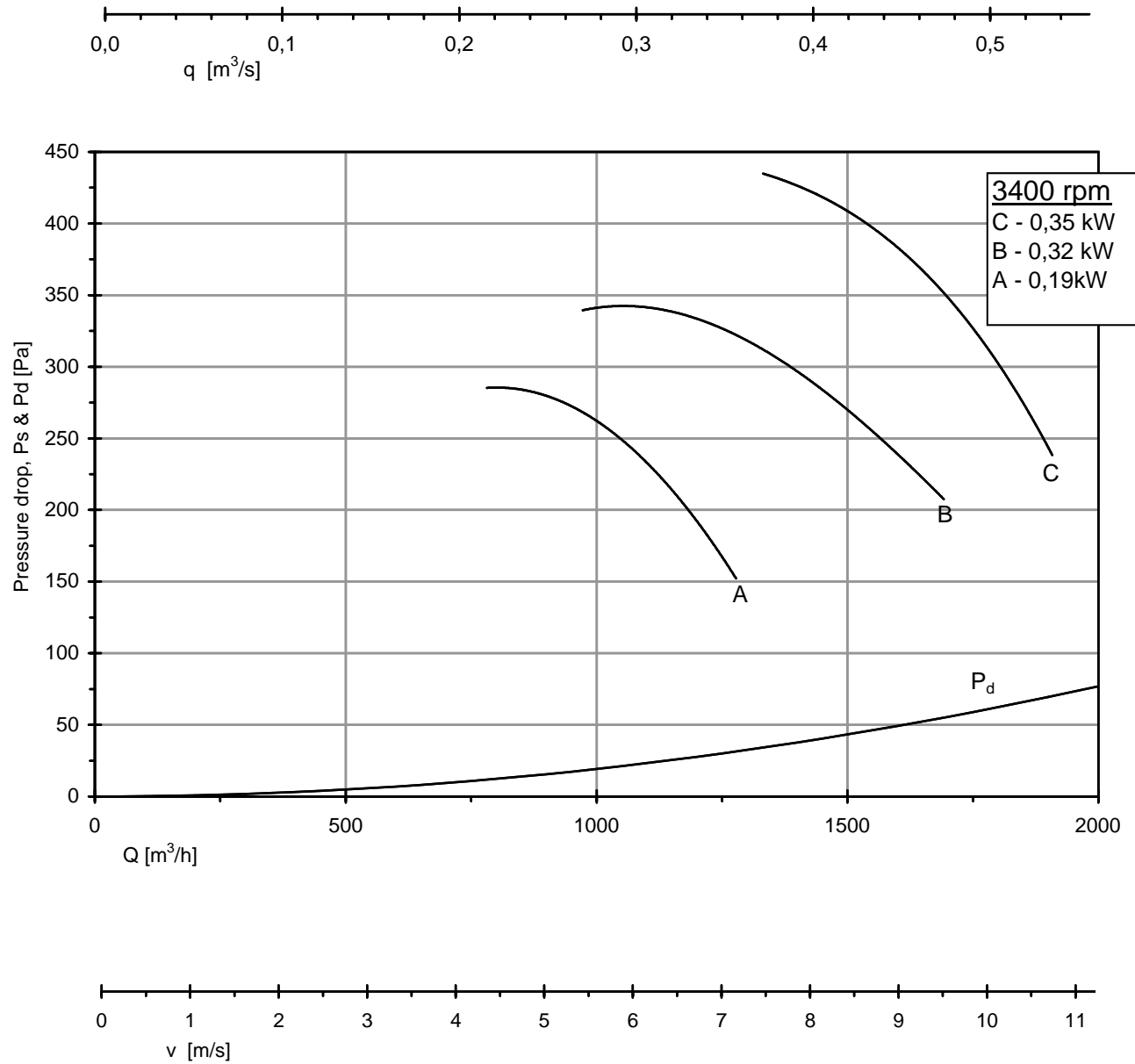


NYBORG VANEAXIAL FAN PERFORMANCE DATA

Speed 3400 rpm (60Hz)

MPV 250 D

Imp: WOMR-25



N Y B O R G A S

N-6230 Sykkylven, Norway

TEL +47 7025 4080 - FAX +47 7025 2908

office@nyborgfan.com - www.nyborgfan.com

nybmw_xls03-3
23.09.2005

MPV 250 D

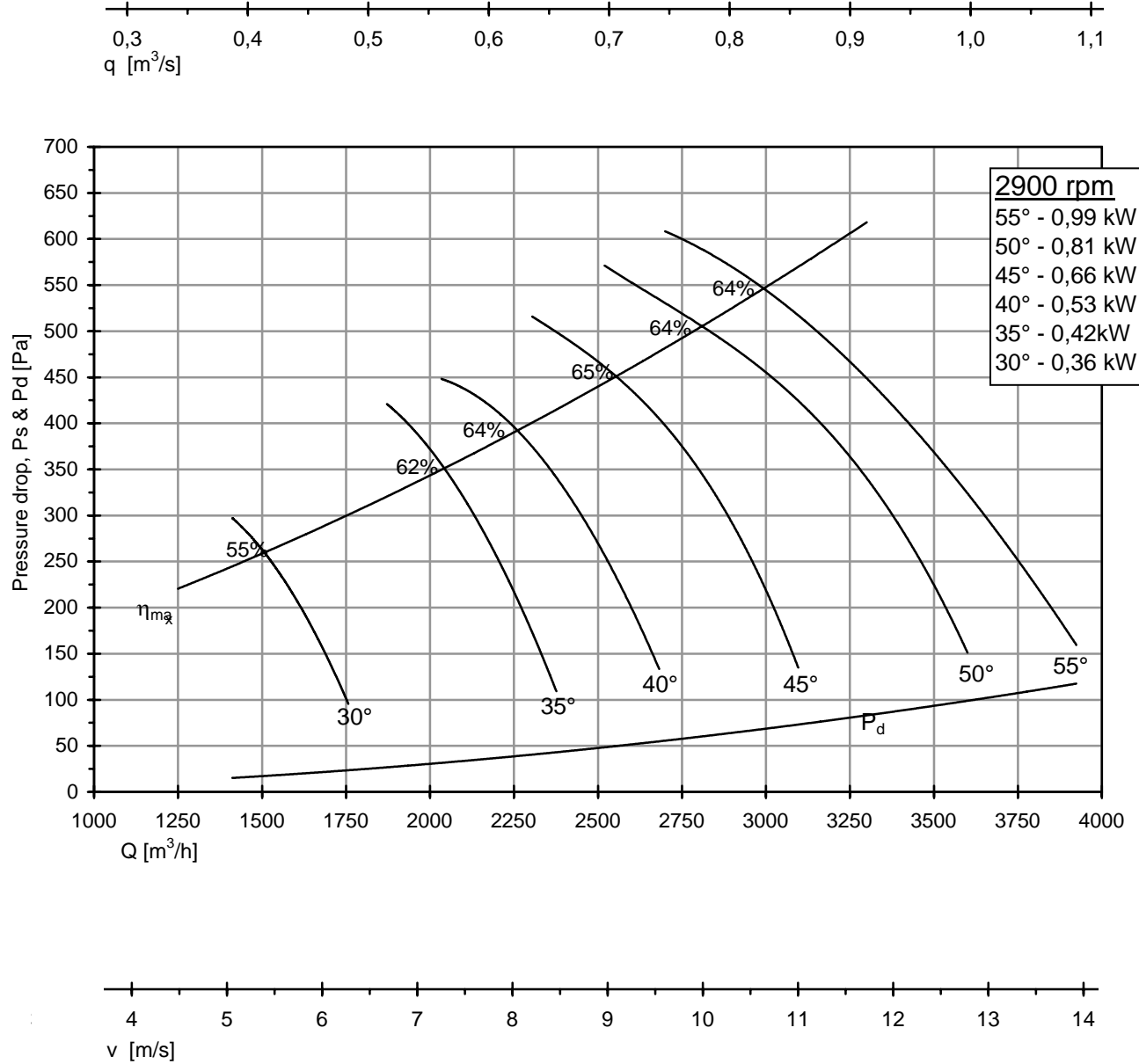


NYBORG VANEAXIAL FAN PERFORMANCE DATA

Speed 2900 rpm (50Hz)

MPV 315 D

Imp: WOMR-315



NYBORG AS

N-6230 Sykkylven, Norway

TEL +47 7025 4080 - FAX +47 7025 2908

office@nyborgfan.com - www.nyborgfan.com

nybmw_xls1-3

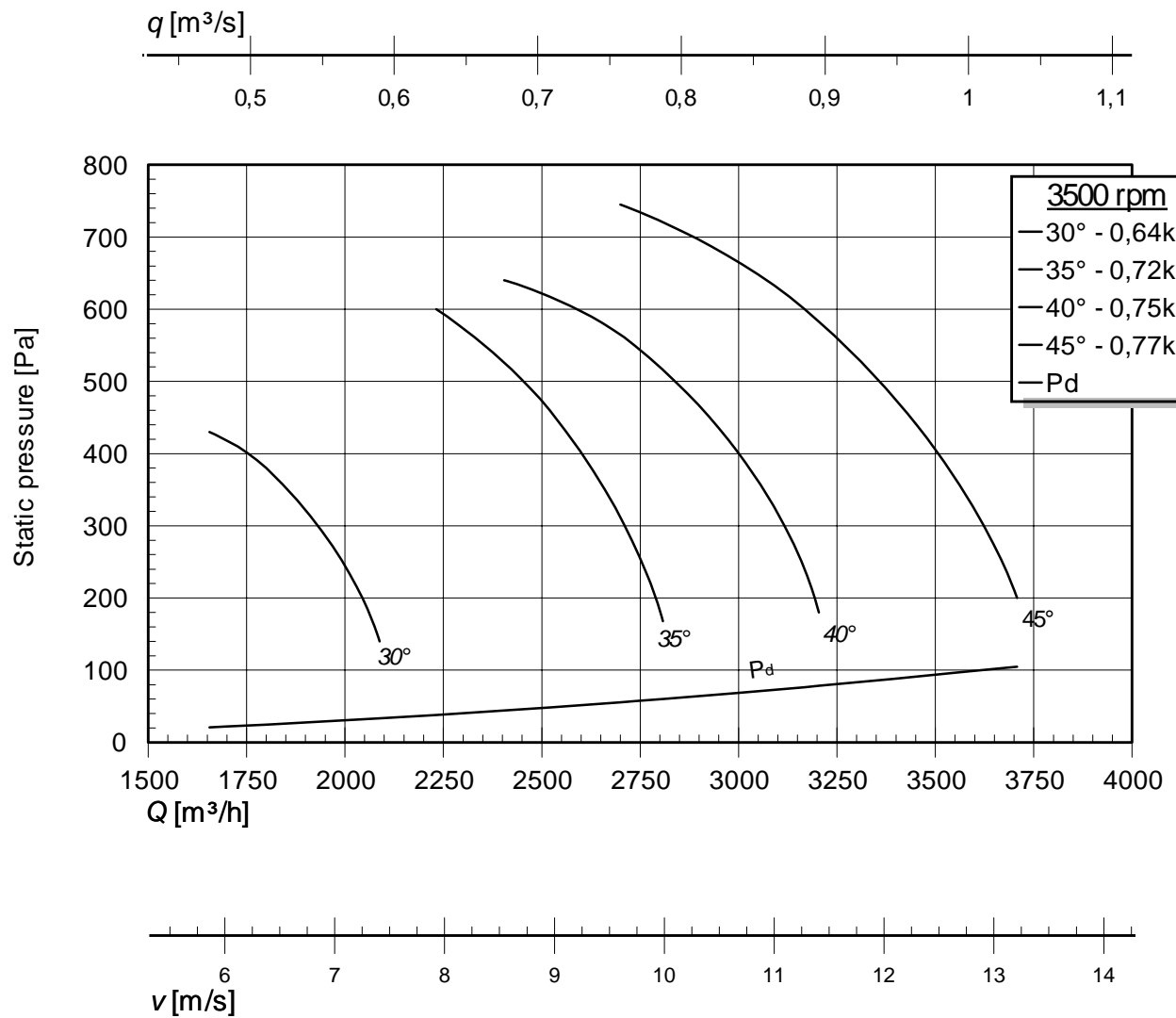
MPV 355 D



NYBORG VANEAXIAL FAN PERFORMANCE DATA

Speed 3500rpm (60Hz)

MPV 315 D
Imp: WomR 31K

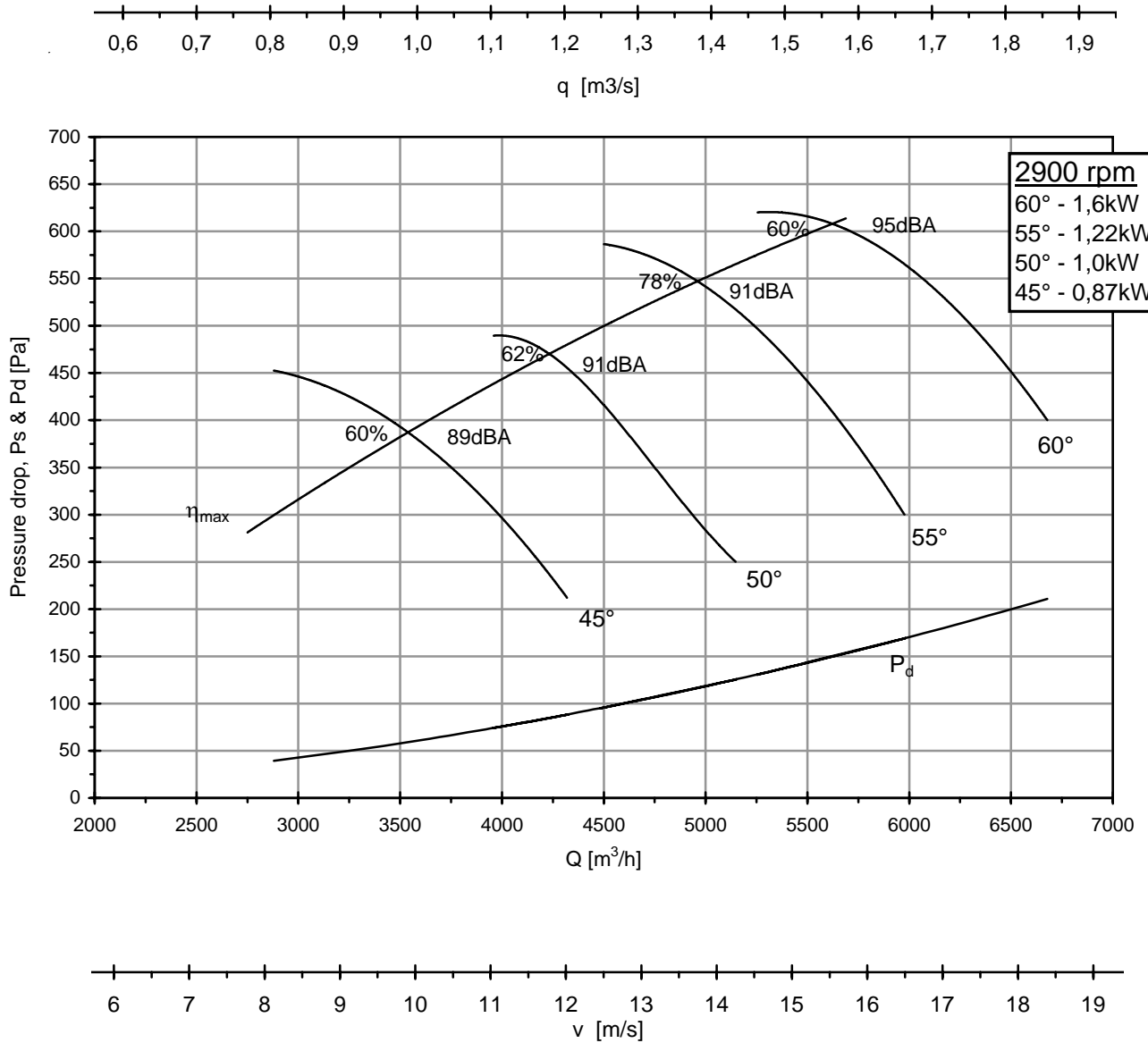




NYBORG VANEAXIAL FAN PERFORMANCE DATA

Speed 2900 rpm (50Hz)

MPV 355 D
Imp: WOM-355



NYBORG AS

N-6230 Sykkylven, Norway
TEL +47 7025 4080 - FAX +47 7025 2908
office@nyborgfan.com - www.nyborgfan.com

MPV 355 D

nybmw_xls1-1

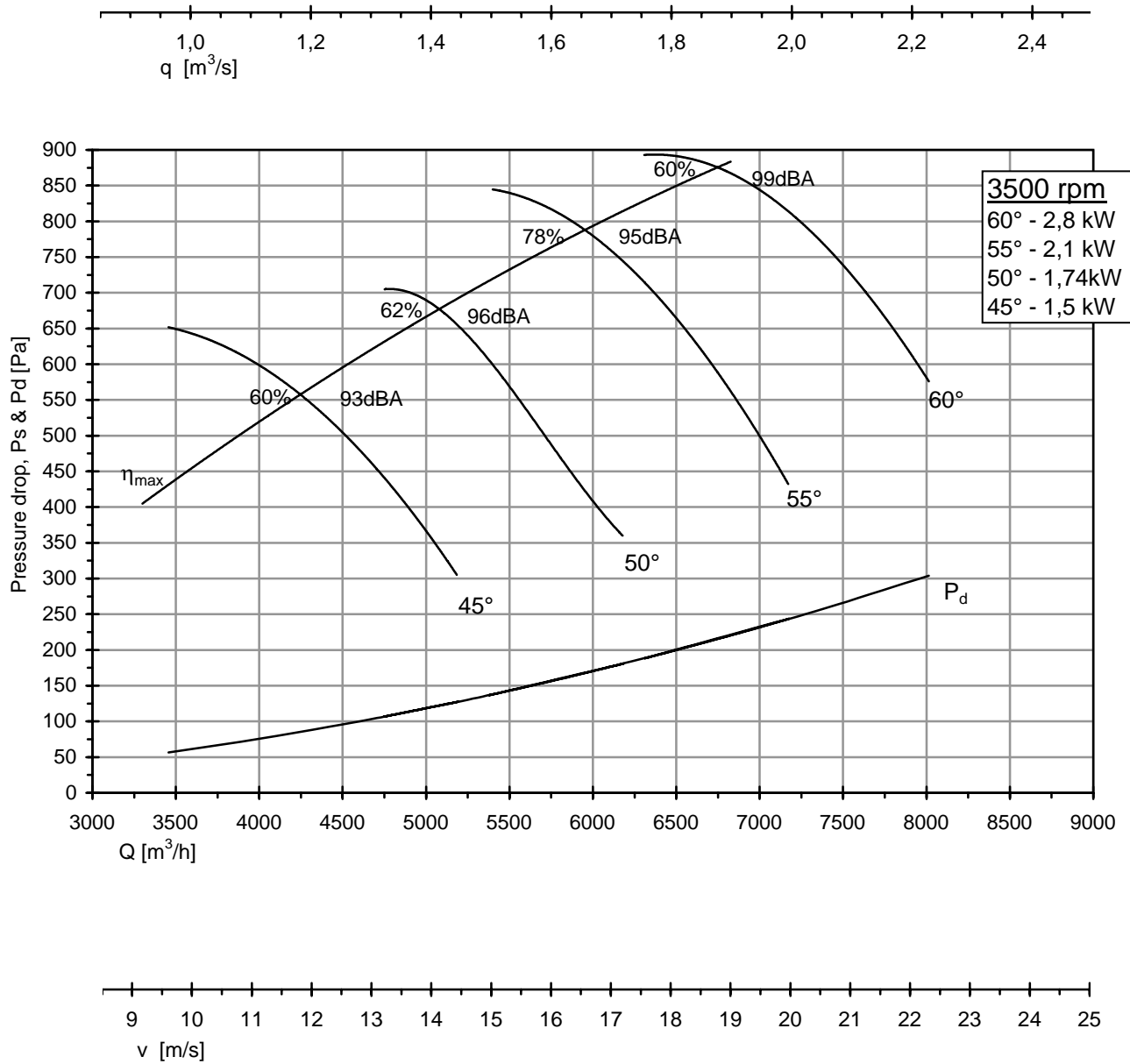


NYBORG VANEAXIAL FAN PERFORMANCE DATA

Speed 3500 rpm (60Hz)

MPV 355 D1

Imp: WOM-355



NYBORG AS

N-6230 Sykkylven, Norway

TEL +47 7025 4080 - FAX +47 7025 2908

office@nyborgfan.com - www.nyborgfan.com

nybmw_xls1-2

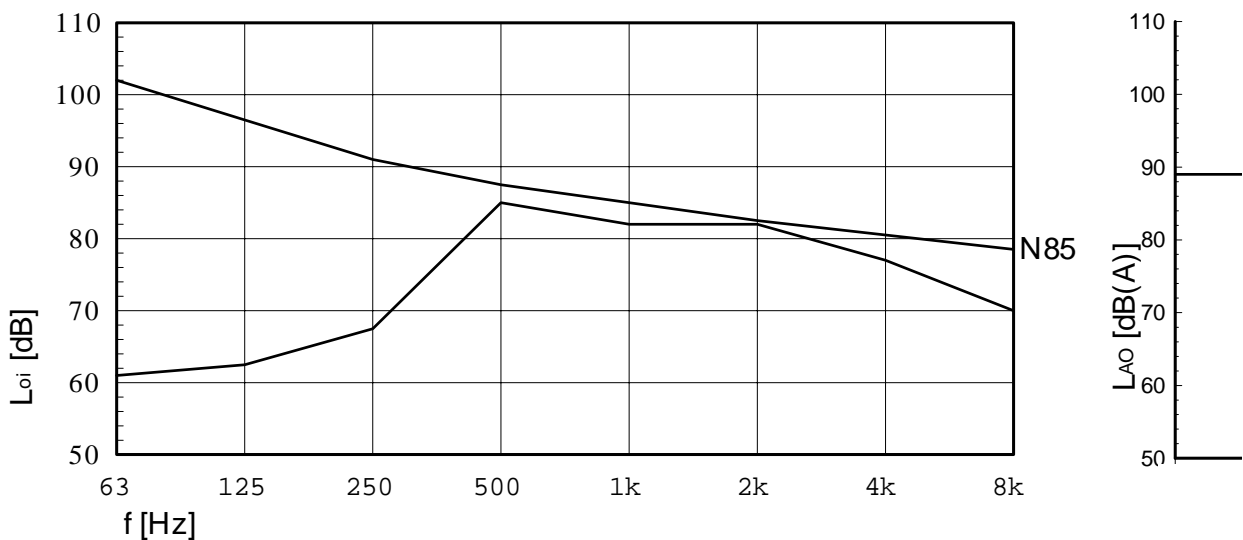
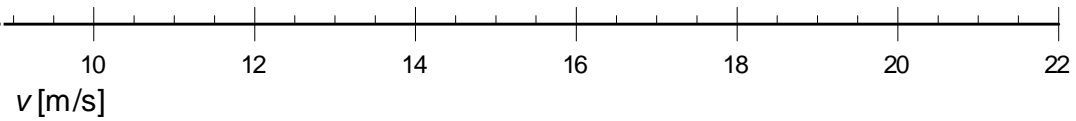
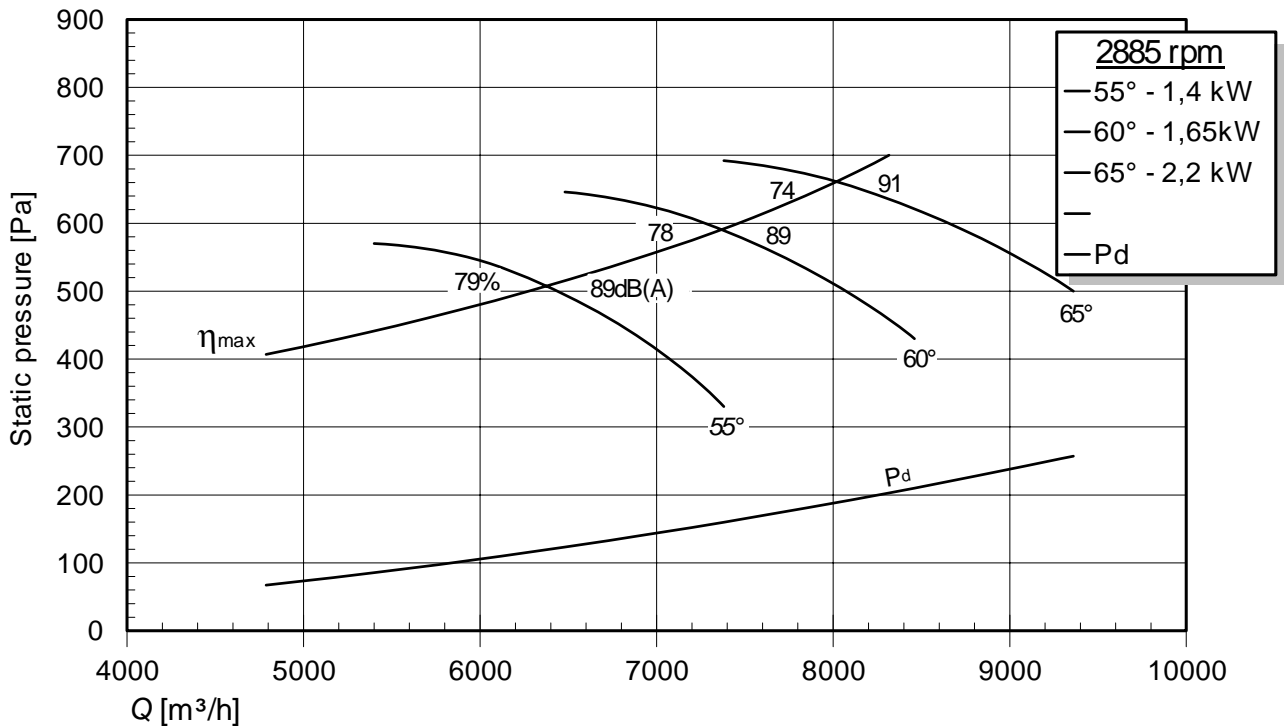
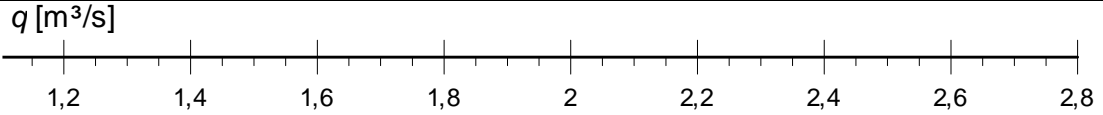
MPV 355 D1



NYBORG VANEAXIAL FAN PERFORMANCE DATA

Speed 2855 rpm (50Hz)

**MPV
400 D1**



Acoustic pressure level spectrum L_{o1} measured close to optimum working point for $n=2885$ r.p.m. and angle 55° , distance = 1m

N Y B O R G A S

n-mw04prs-2

N-6230 SYKKYLVEN, NORWAY
 TEL +47 70 25 40 80 - FAX +47 70 25 29 08
 office@nyborgfan.com - www.nyborgfan.com

**MPV
400 D1**

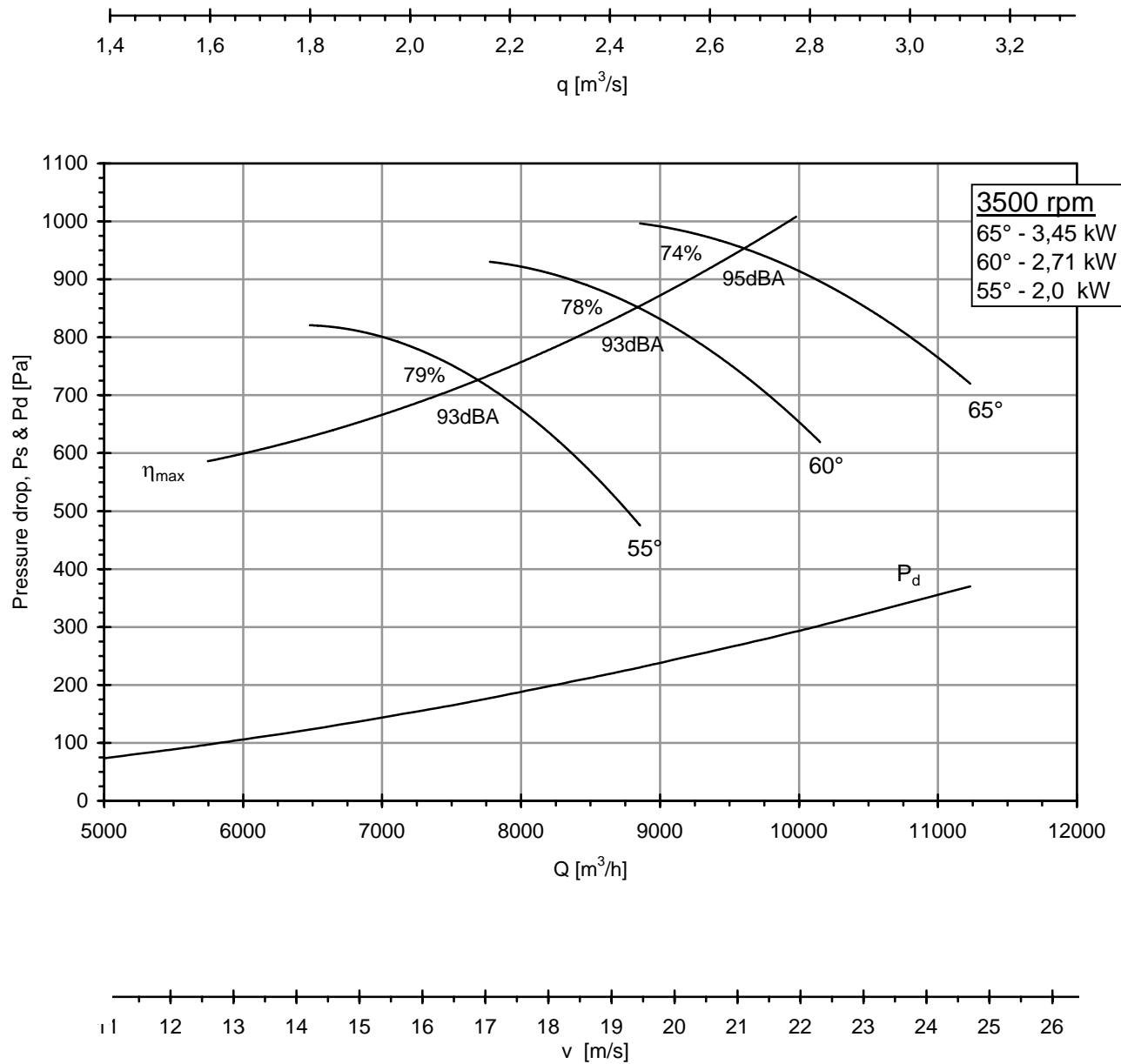


NYBORG VANEAXIAL FAN PERFORMANCE DATA

Speed 3500 rpm (60Hz)

MPV 400 D

Imp: WOM-40



NYBORG AS

N-6230 Sykkylven, Norway

TEL +47 7025 4080 - FAX +47 7025 2908

office@nyborgfan.com - www.nyborgfan.com

nybmw_xls3-5
27.09.2005

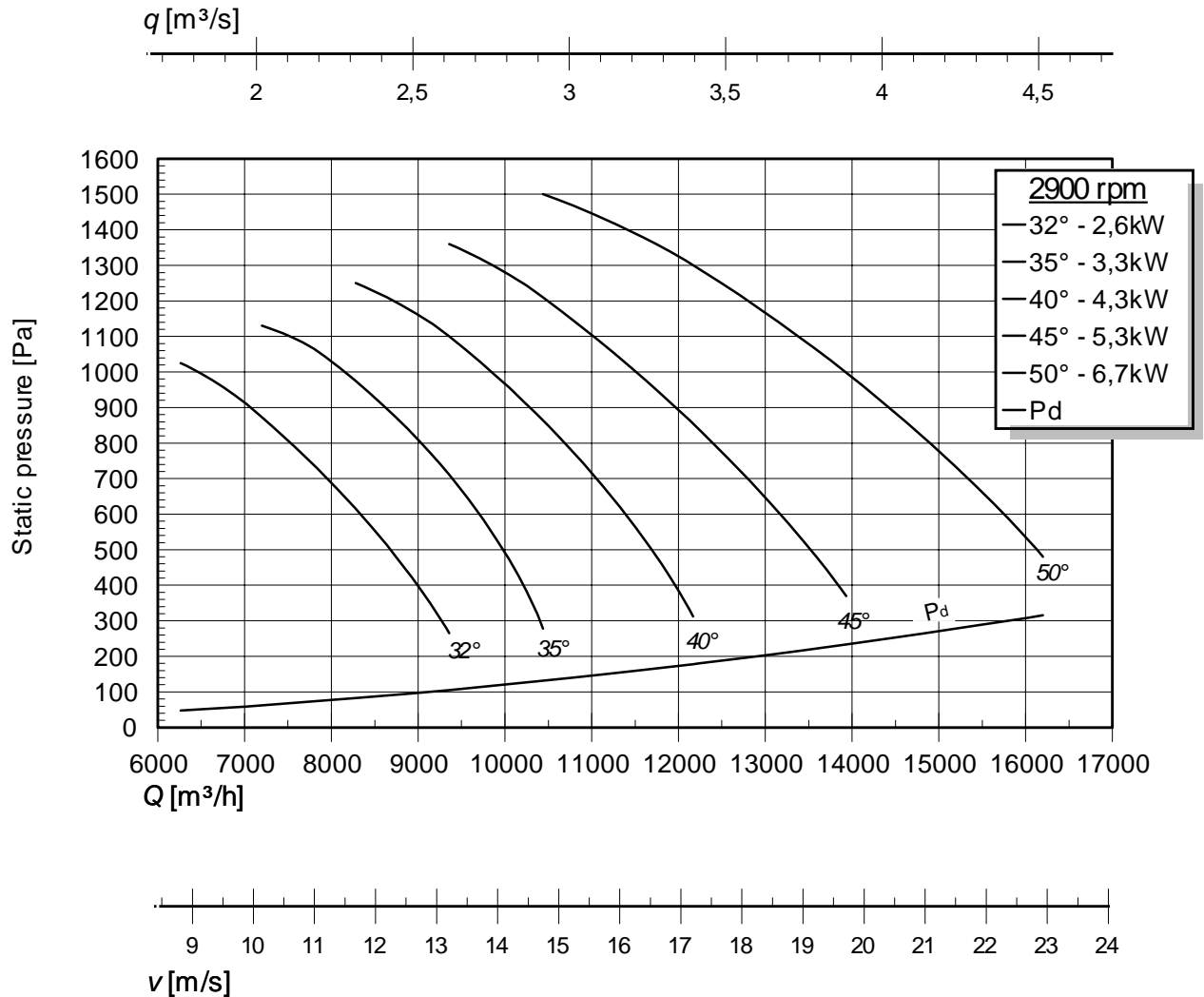
MPV 400 D



NYBORG VANEAXIAL FAN PERFORMANCE DATA

Speed 2900rpm (50Hz)

MPV 500 D
Imp: WomR 50K



N Y B O R G A S

N-mw04-26

N-6230 SYKKYLVEN, NORWAY
TEL +47 70 25 40 80 - FAX +47 70 25 29 08
office@nyborgfan.com - www.nyborgfan.com

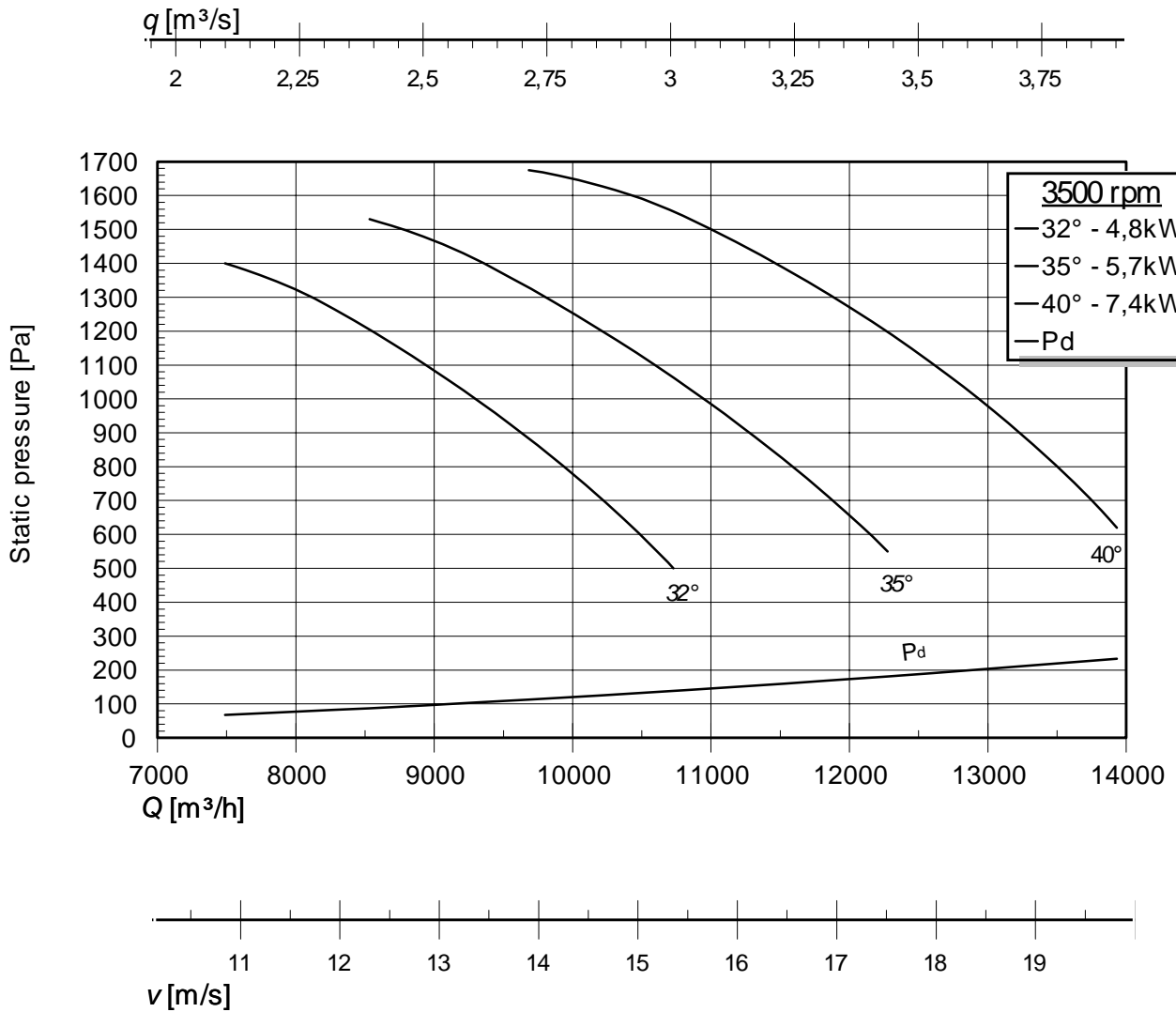
MPV 500 D



NYBORG VANEAXIAL FAN PERFORMANCE DATA

Speed 3500rpm (60Hz)

MPV 500 D
Imp: WomR 50K



N Y B O R G A S

N-mw04-27

N-6230 SYKKYLVEN, NORWAY
TEL +47 70 25 40 80 - FAX +47 70 25 29 08
office@nyborgfan.com - www.nyborgfan.com

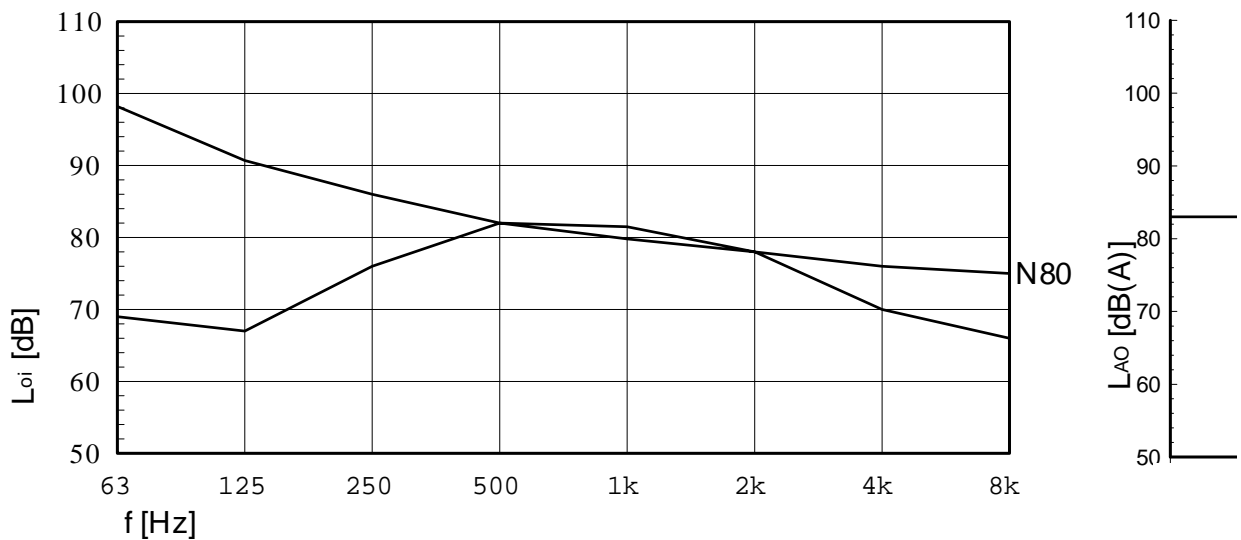
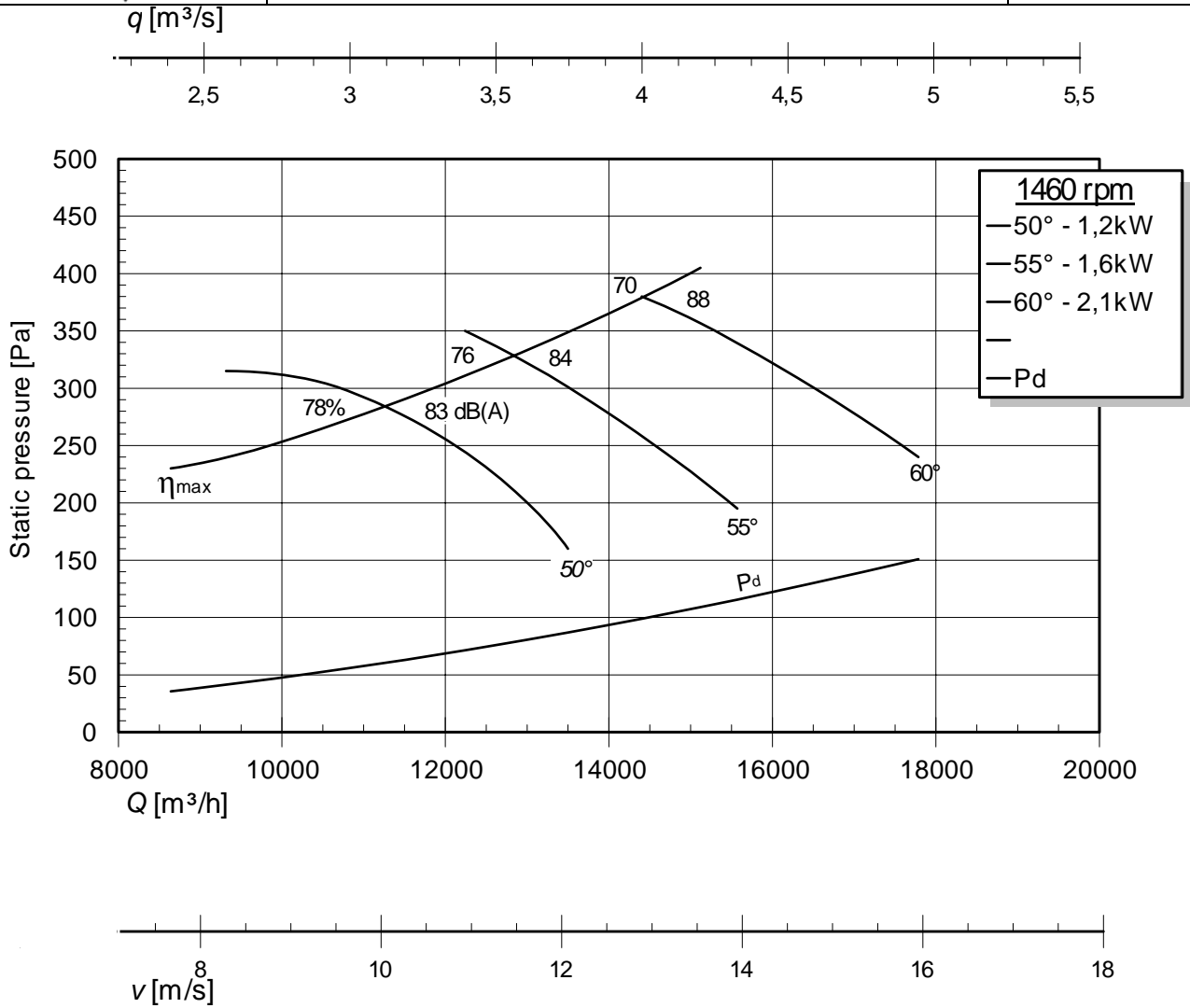
MPV 500 D



NYBORG VANEAXIAL FAN PERFORMANCE DATA

Speed 1460 rpm (50Hz)

**MPV
630 D1**



Acoustic pressure level spectrum L_{oi} measured close to optimum working point for $n=1460$ r.p.m. and angle 55° , distance = 1m

N Y B O R G A S

n-mw04prs-4

N-6230 SYKKYLVEN, NORWAY
TEL +47 70 25 40 80 - FAX +47 70 25 29 08
office@nyborgfan.com - www.nyborgfan.com

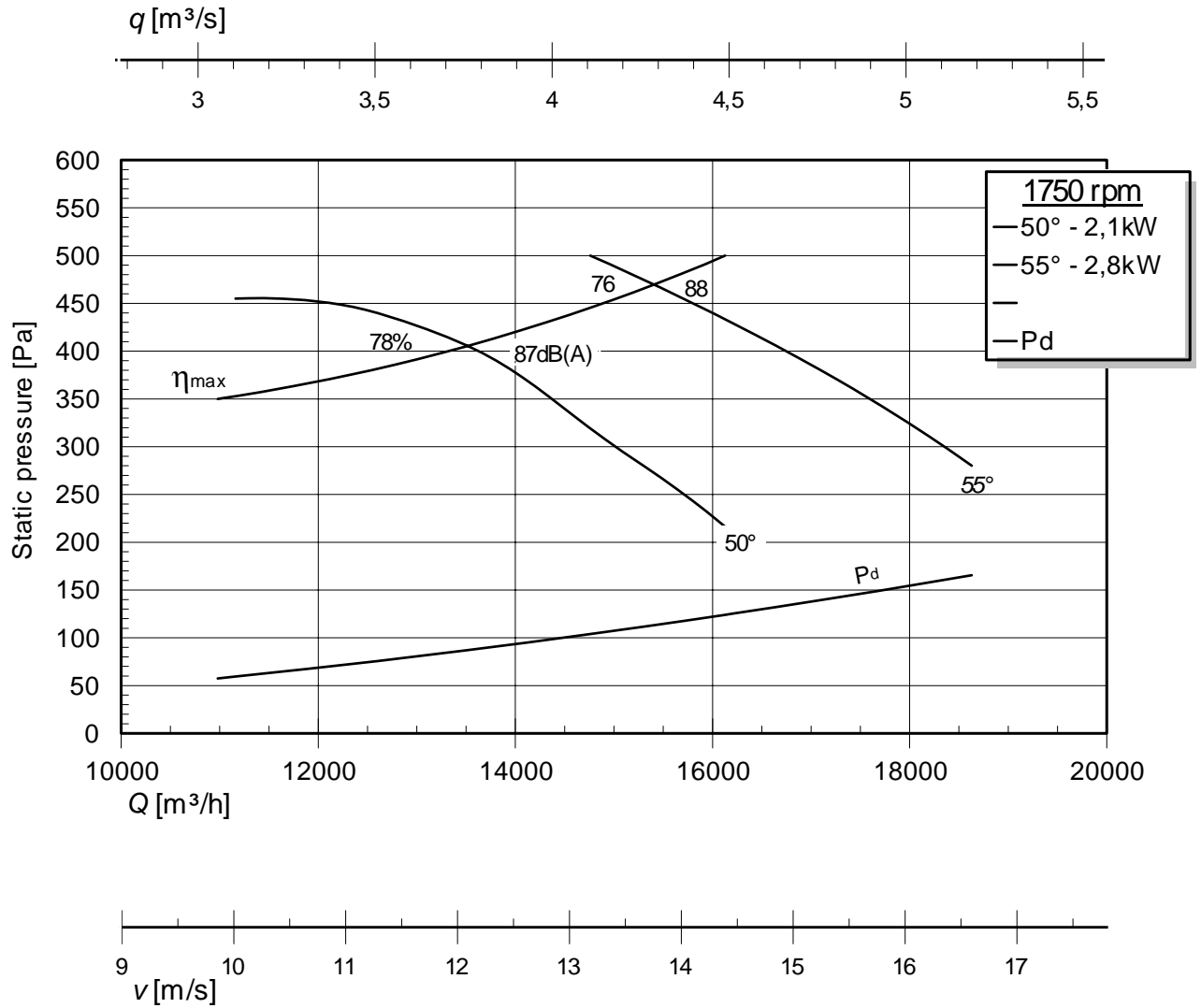
**MPV
630 D1**



NYBORG VANEAXIAL FAN PERFORMANCE DATA

Speed 1750 rpm (60Hz)

**MPV
630 D1**



N Y B O R G A S

n-mw04prs-5

N-6230 SYKKYLVEN, NORWAY
TEL +47 70 25 40 80 - FAX +47 70 25 29 08
office@nyborgfan.com - www.nyborgfan.com

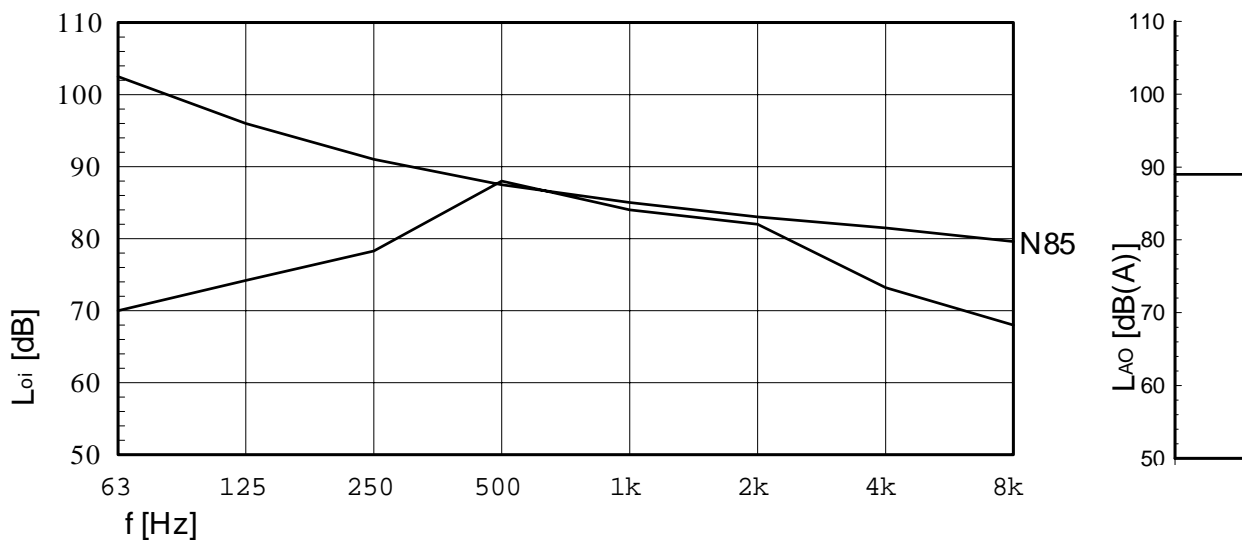
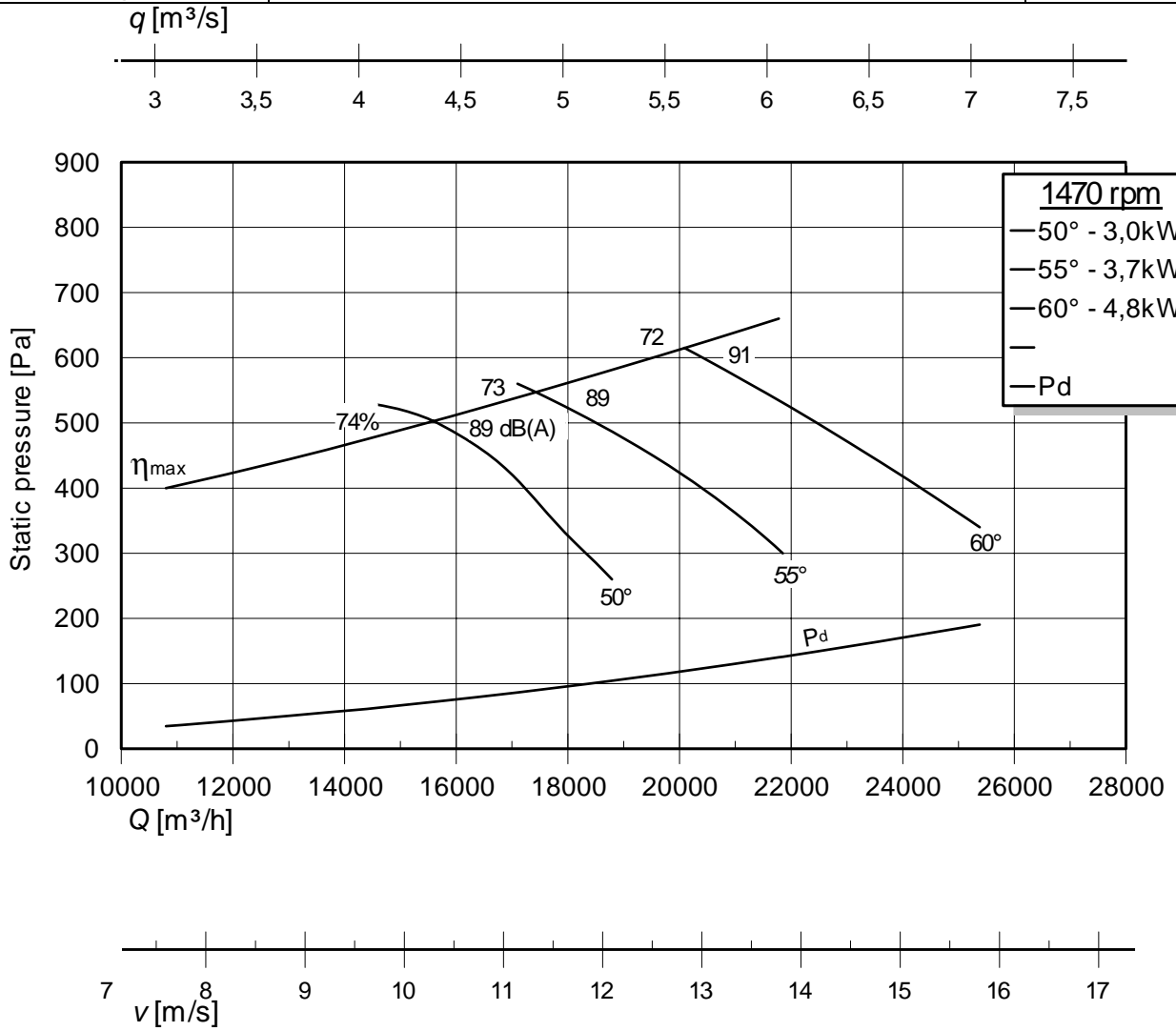
**MPV
630 D1**



NYBORG VANEAXIAL FAN PERFORMANCE DATA

Speed 1470 rpm (50Hz)

**MPV
710 D1**



Acoustic pressure level spectrum L_{oi} measured close to optimum working point for $n=1470$ r.p.m. and angle 55° , distance = 1m

N Y B O R G A S

n-mw04prs-6

N-6230 SYKKYLVEN, NORWAY
TEL +47 70 25 40 80 - FAX +47 70 25 29 08
office@nyborgfan.com - www.nyborgfan.com

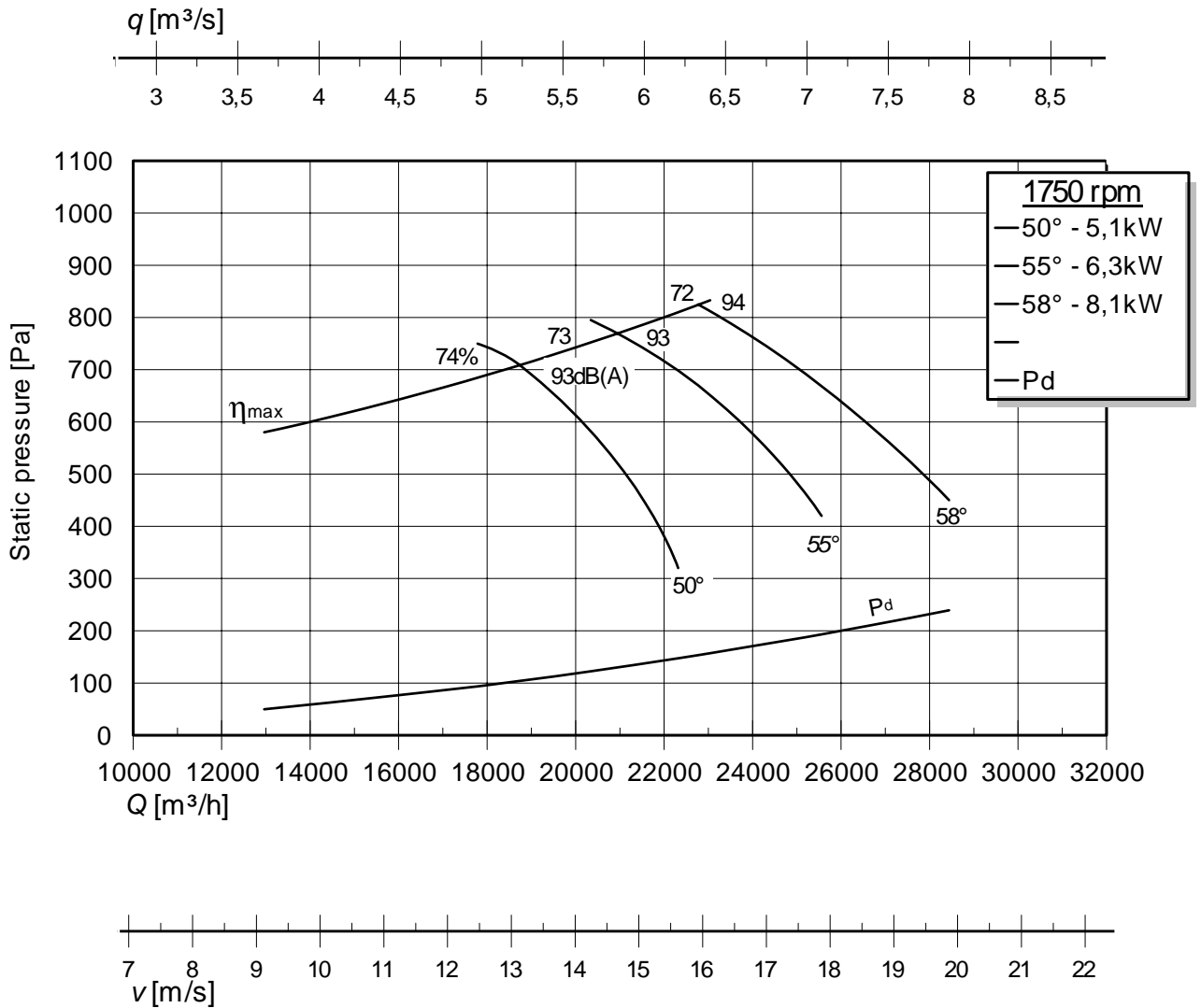
**MPV
710 D1**



NYBORG VANEAXIAL FAN PERFORMANCE DATA

Speed 1750 rpm (60Hz)

**MPV
710 D1**



N Y B O R G A S

n-mw04prs-7

N-6230 SYKKYLVEN, NORWAY
TEL +47 70 25 40 80 - FAX +47 70 25 29 08
office@nyborgfan.com - www.nyborgfan.com

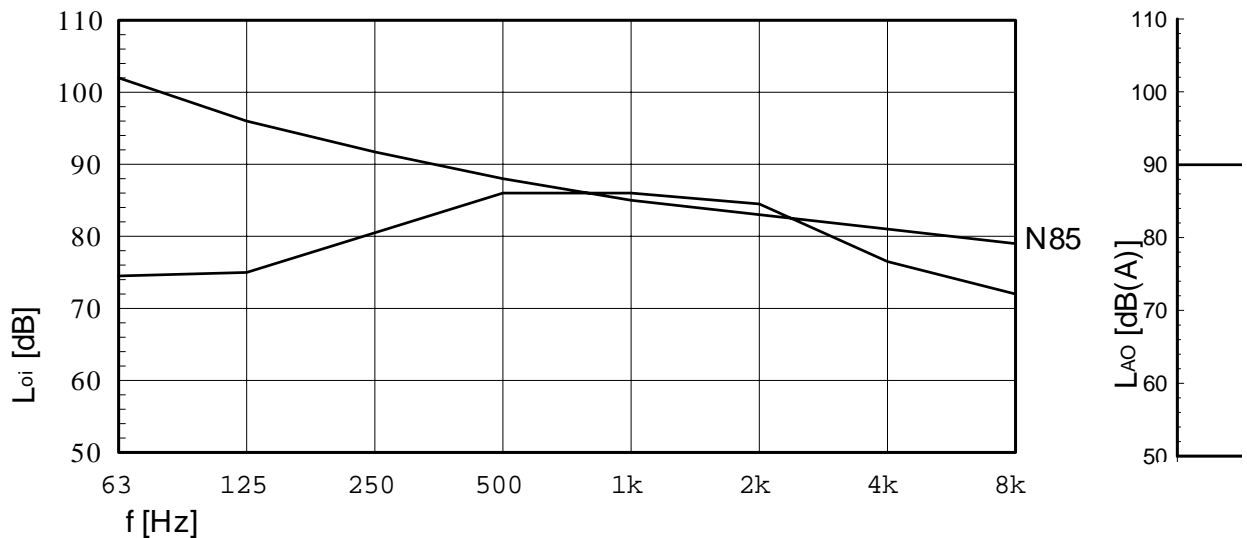
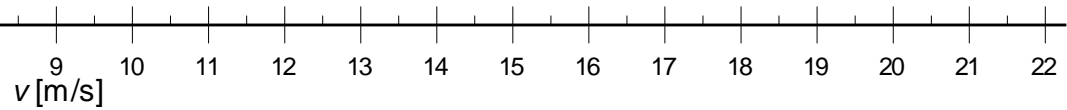
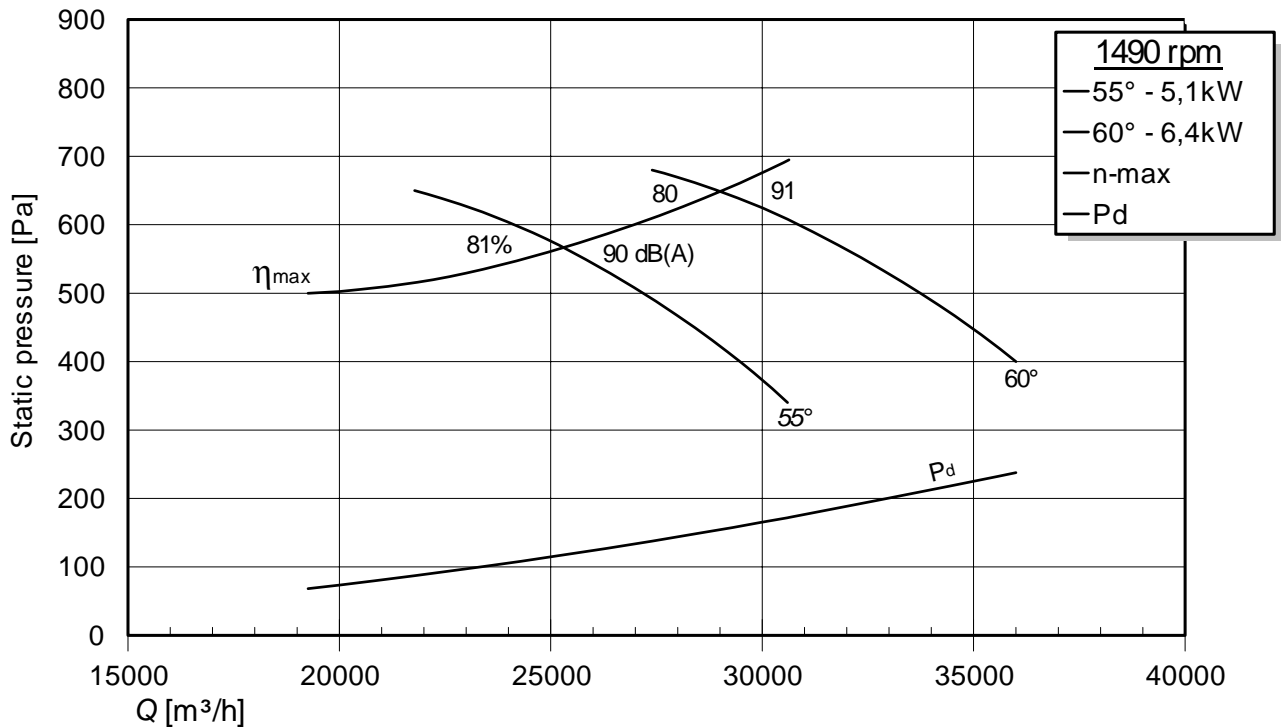
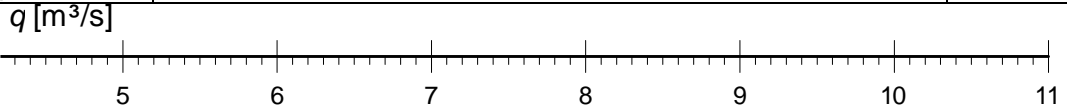
**MPV
710 D1**



NYBORG VANEAXIAL FAN PERFORMANCE DATA

Speed 1490 rpm (50Hz)

**MPV
800 D1**



Acoustic pressure level spectrum L_{oi} measured close to optimum working point for $n=1490$ r.p.m. and angle 55° , distance = 1m

N Y B O R G A S

n-mw04prs-8

N-6230 SYKKYLVEN, NORWAY
 TEL +47 70 25 40 80 - FAX +47 70 25 29 08
 office@nyborgfan.com - www.nyborgfan.com

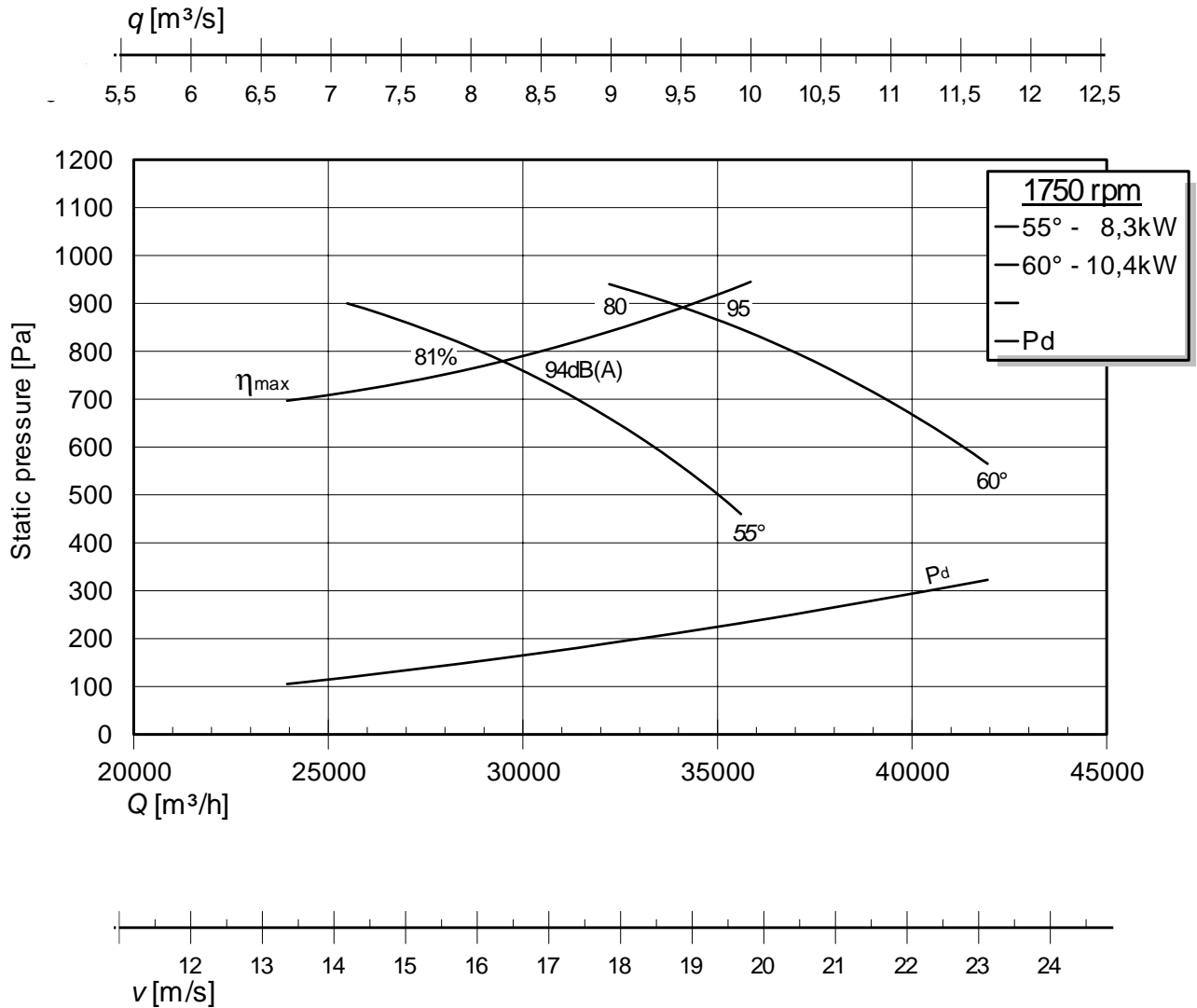
**MPV
800 D1**



NYBORG VANEAXIAL FAN PERFORMANCE DATA

Speed 1750 rpm (60Hz)

**MPV
800 D1**



N Y B O R G A S

n-mw04prs-9

N-6230 SYKKYLVEN, NORWAY
TEL +47 70 25 40 80 - FAX +47 70 25 29 08
office@nyborgfan.com - www.nyborgfan.com

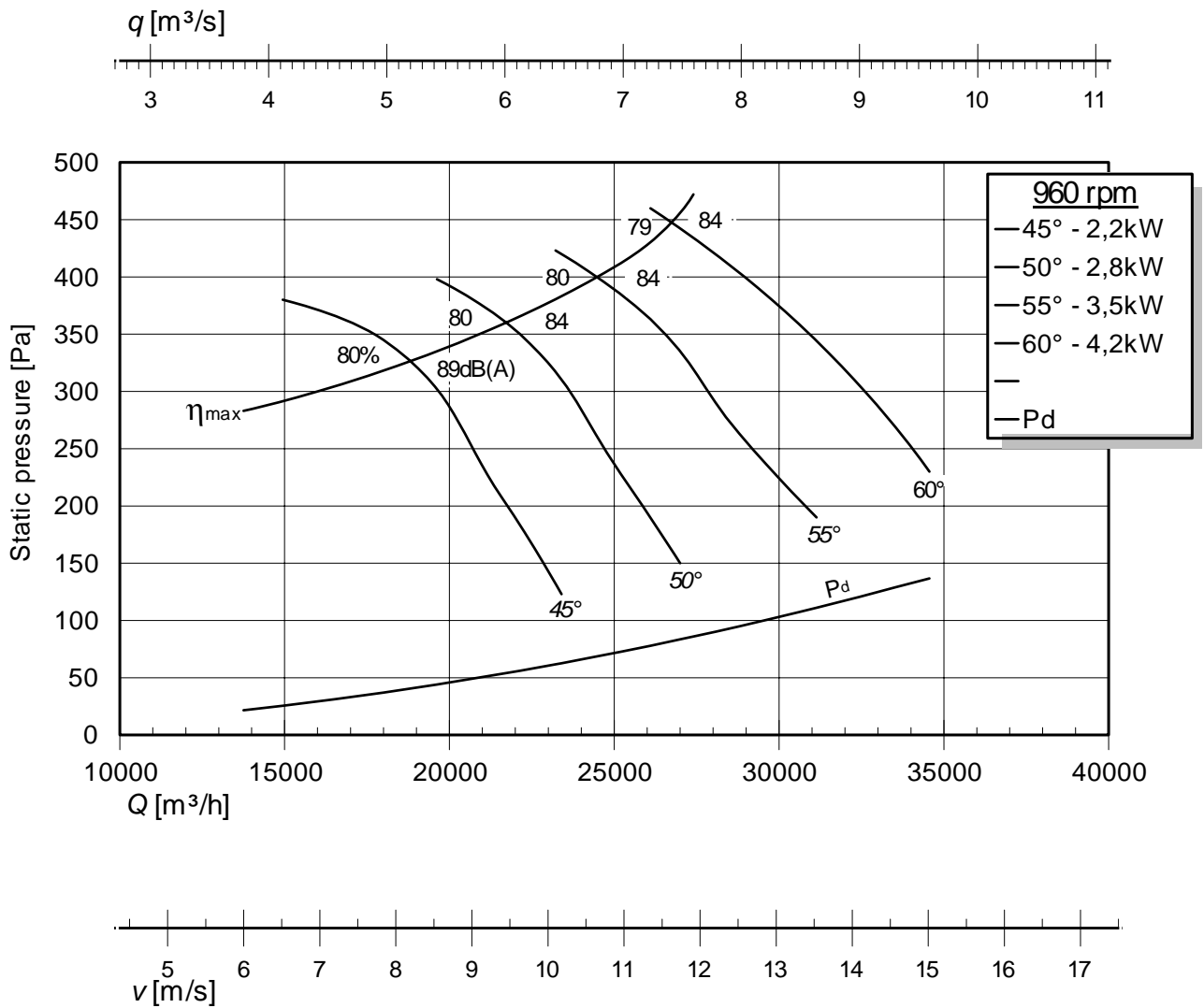
**MPV
800 D1**



NYBORG VANEAXIAL FAN PERFORMANCE DATA

Speed 960 rpm (50Hz)

**MPV
900 D1**



N Y B O R G A S

n-mw04prs-10

N-6230 SYKKYLVEN, NORWAY
TEL +47 70 25 40 80 - FAX +47 70 25 29 08
office@nyborgfan.com - www.nyborgfan.com

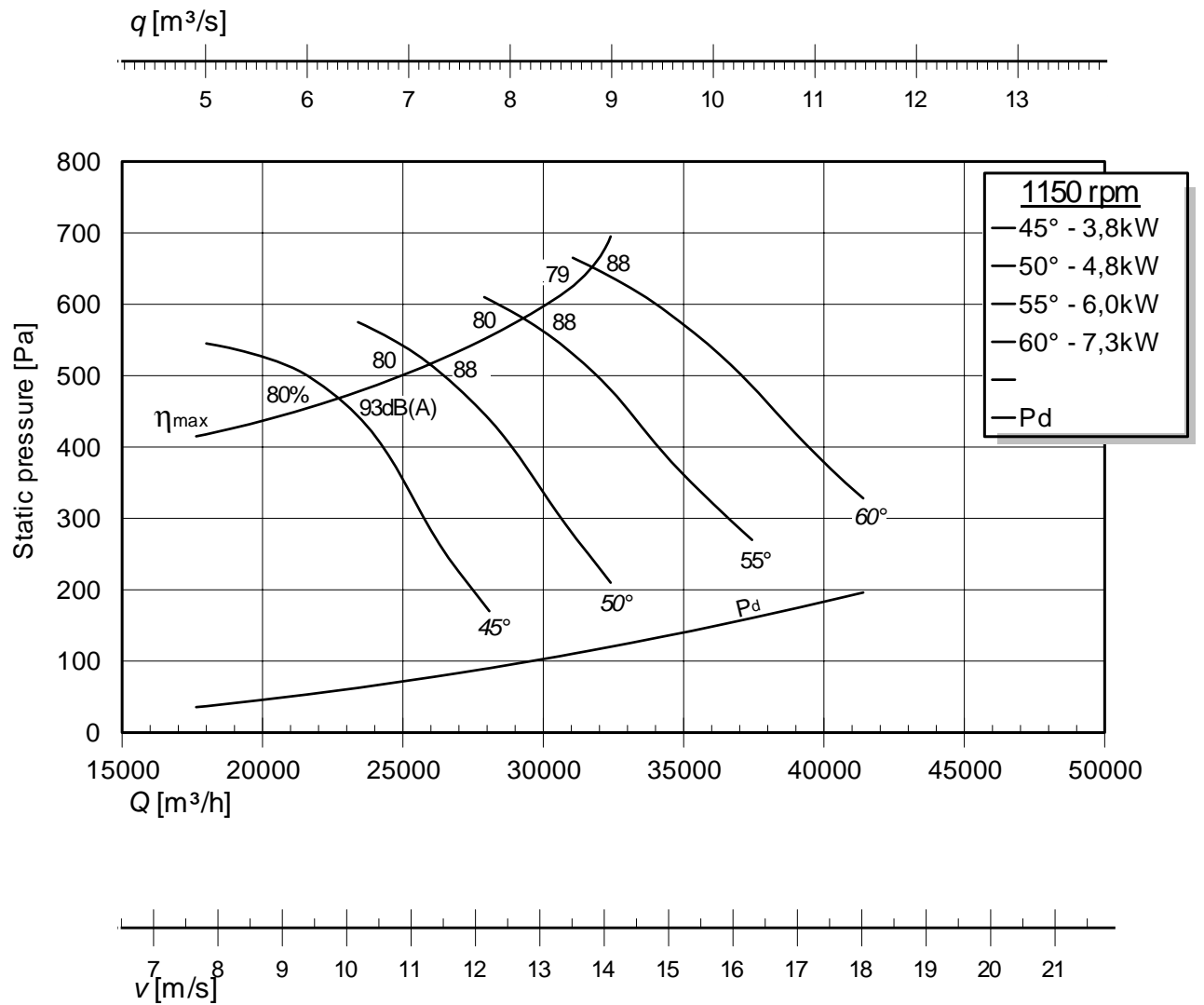
**MPV
900 D1**



NYBORG VANEAXIAL FAN PERFORMANCE DATA

Speed 1150 rpm (60Hz)

**MPV
900 D1**



N Y B O R G A S

n-mw04prs-11

N-6230 SYKKYLVEN, NORWAY
TEL +47 70 25 40 80 - FAX +47 70 25 29 08
office@nyborgfan.com - www.nyborgfan.com

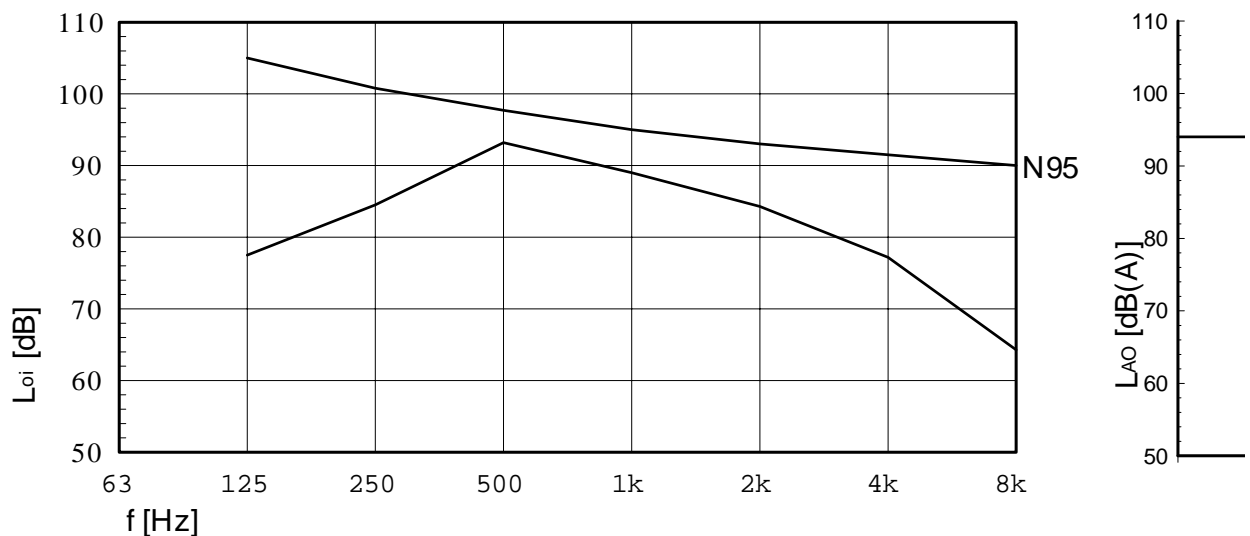
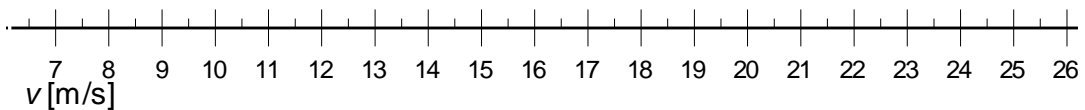
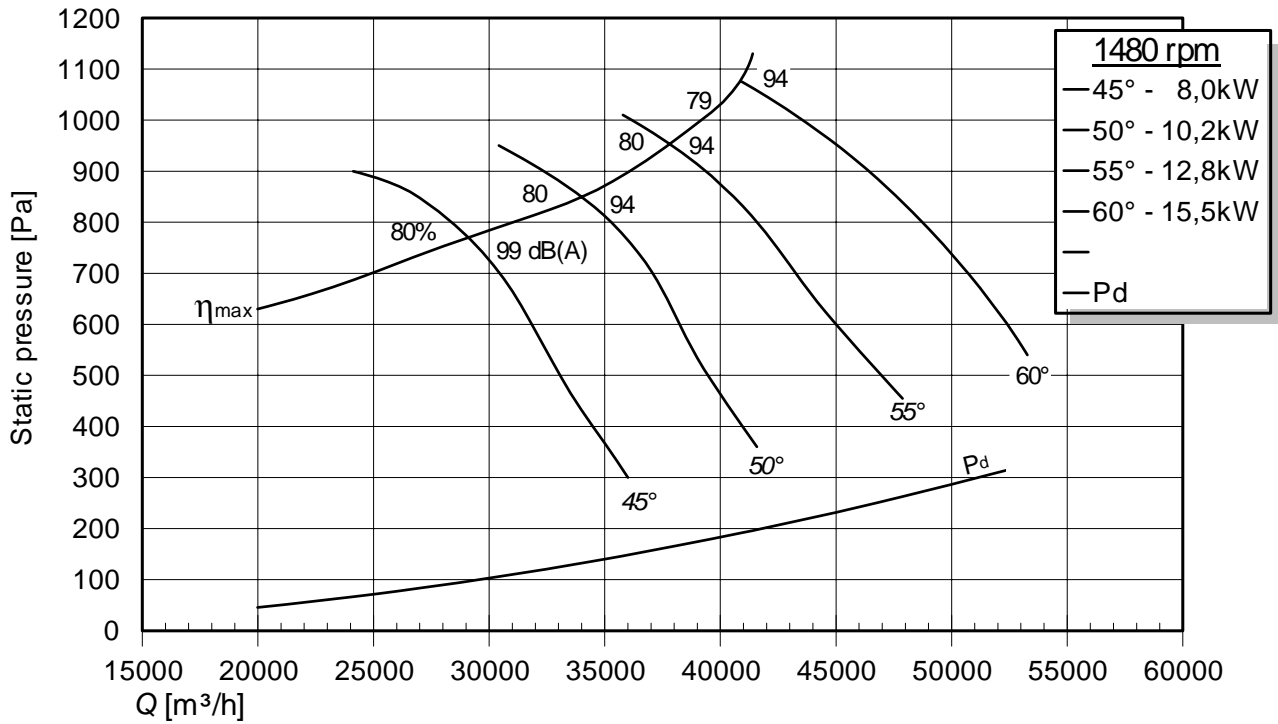
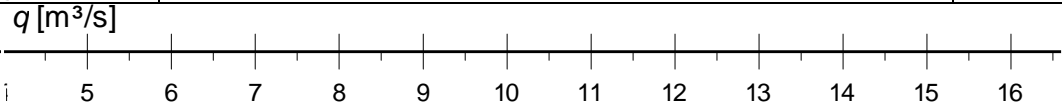
**MPV
900 D1**



NYBORG VANEAXIAL FAN PERFORMANCE DATA

Speed 1450 rpm (50Hz)

**MPV
900 D1**



Acoustic pressure level spectrum L_{oi} measured close to optimum working point for $n=1480$ r.p.m. and angle 50° , distance = 1m

N Y B O R G A S

n-mw04prs-12

N-6230 SYKKYLVEN, NORWAY
TEL +47 70 25 40 80 - FAX +47 70 25 29 08
office@nyborgfan.com - www.nyborgfan.com

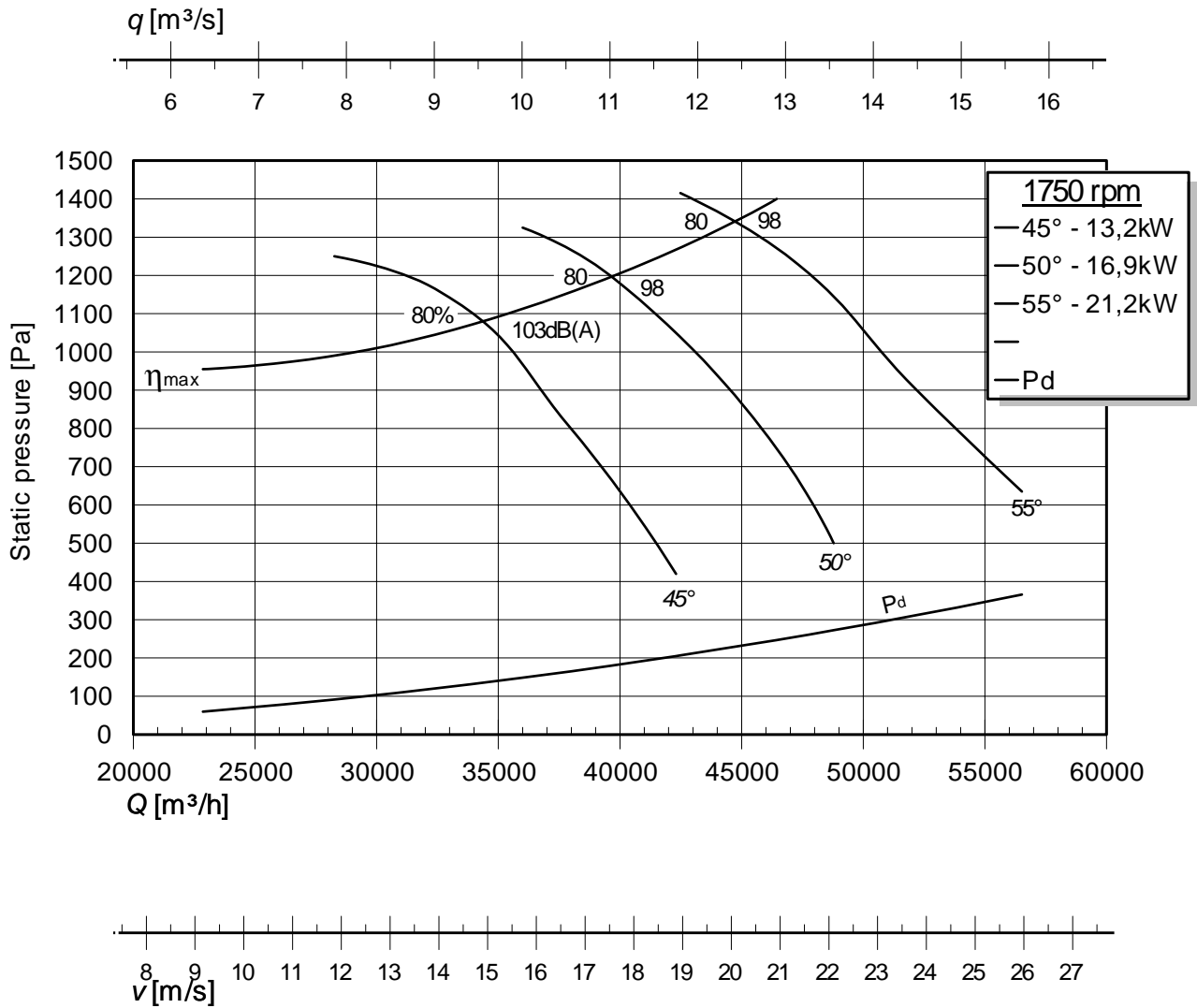
**MPV
900 D1**



NYBORG VANEAXIAL FAN PERFORMANCE DATA

Speed 1750 rpm (60Hz)

**MPV
900 D1**



N Y B O R G A S

n-mw04prs-13

N-6230 SYKKYLVEN, NORWAY
TEL +47 70 25 40 80 - FAX +47 70 25 29 08
office@nyborgfan.com - www.nyborgfan.com

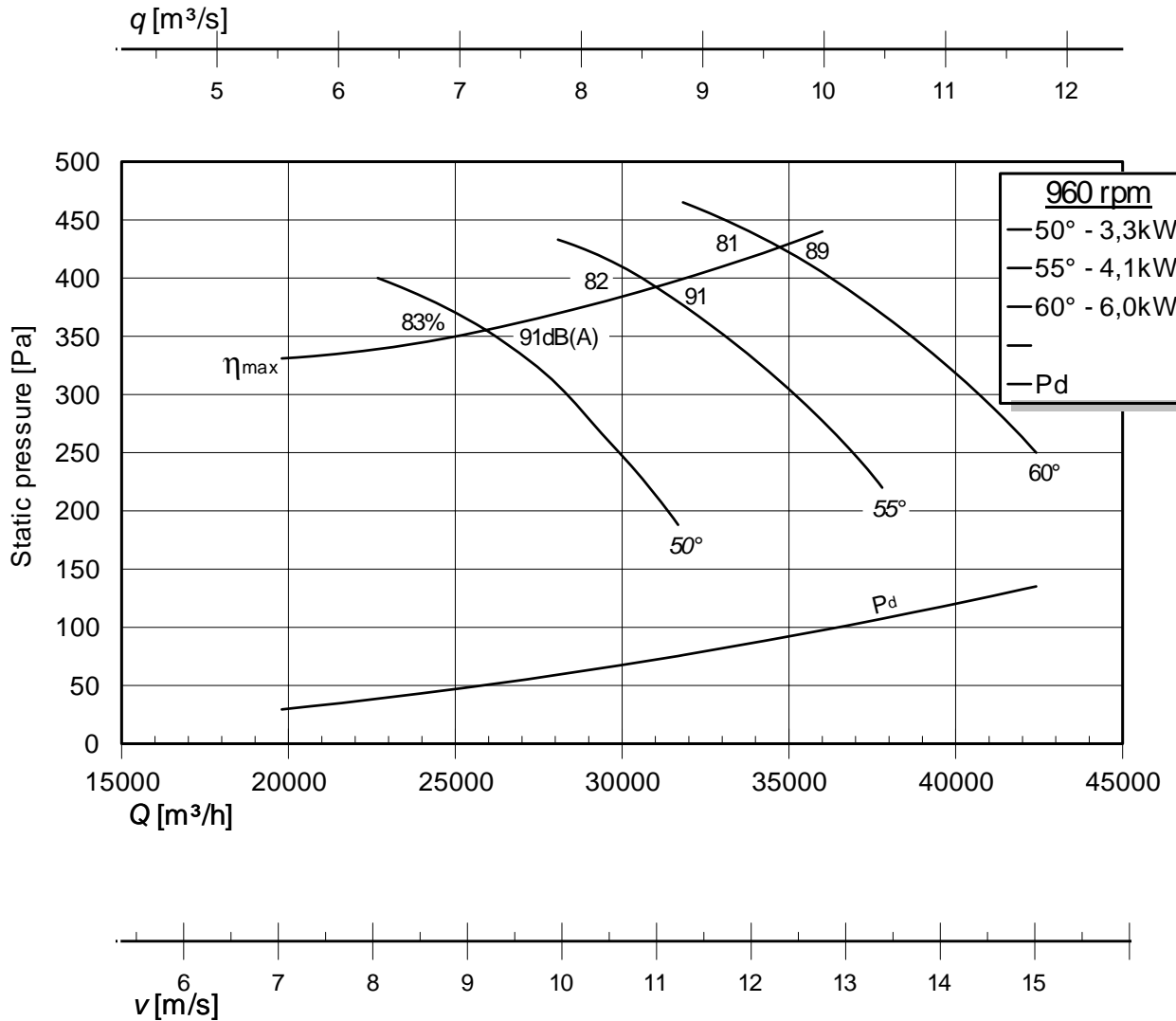
**MPV
900 D1**



NYBORG VANEAXIAL FAN PERFORMANCE DATA

Speed 960 rpm (50Hz)

**MPV
1000 D1**



N Y B O R G A S

n-mw04prs-14

N-6230 SYKKYLVEN, NORWAY
TEL +47 70 25 40 80 - FAX +47 70 25 29 08
office@nyborgfan.com - www.nyborgfan.com

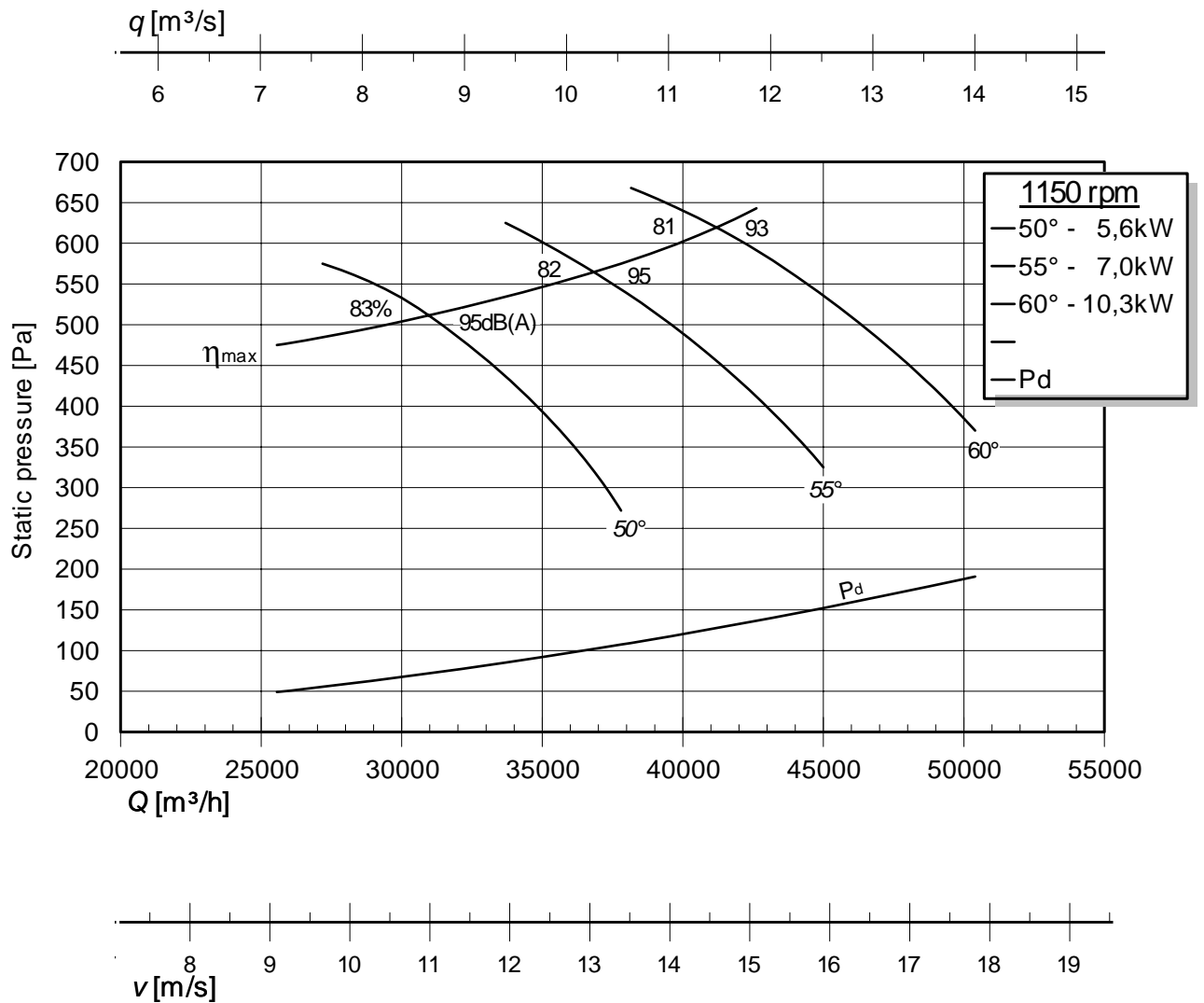
**MPV
1000 D1**



NYBORG VANEAXIAL FAN PERFORMANCE DATA

Speed 1150 rpm (60Hz)

**MPV
1000 D1**



N Y B O R G A S

n-mw04prs-15

N-6230 SYKKYLVEN, NORWAY
TEL +47 70 25 40 80 - FAX +47 70 25 29 08
office@nyborgfan.com - www.nyborgfan.com

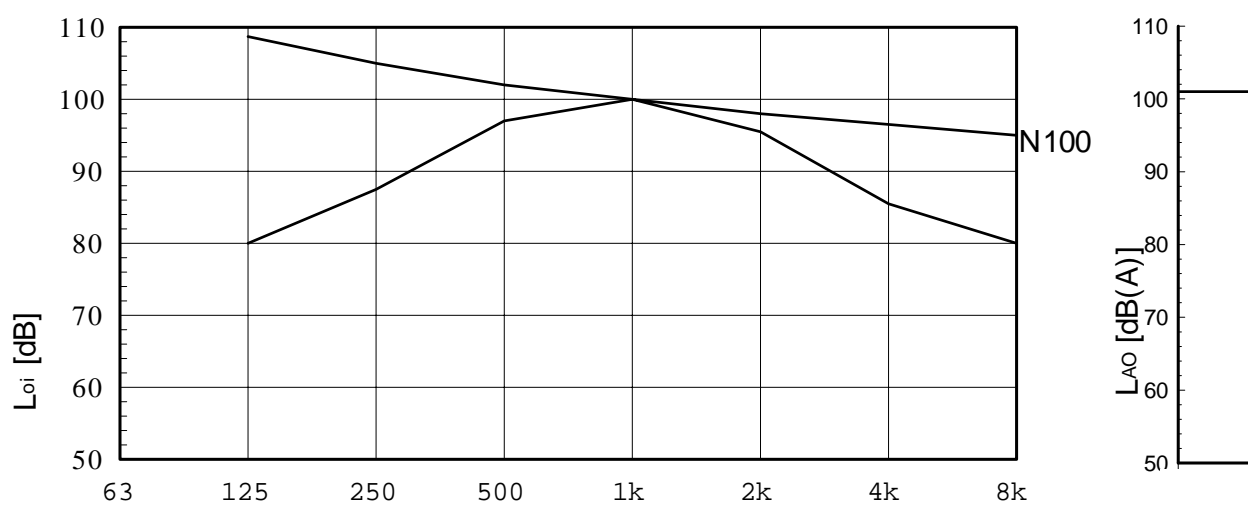
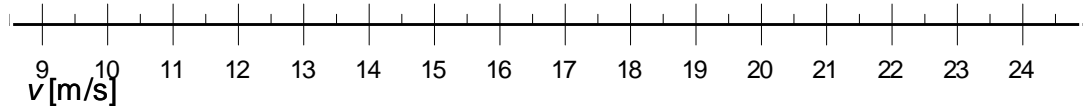
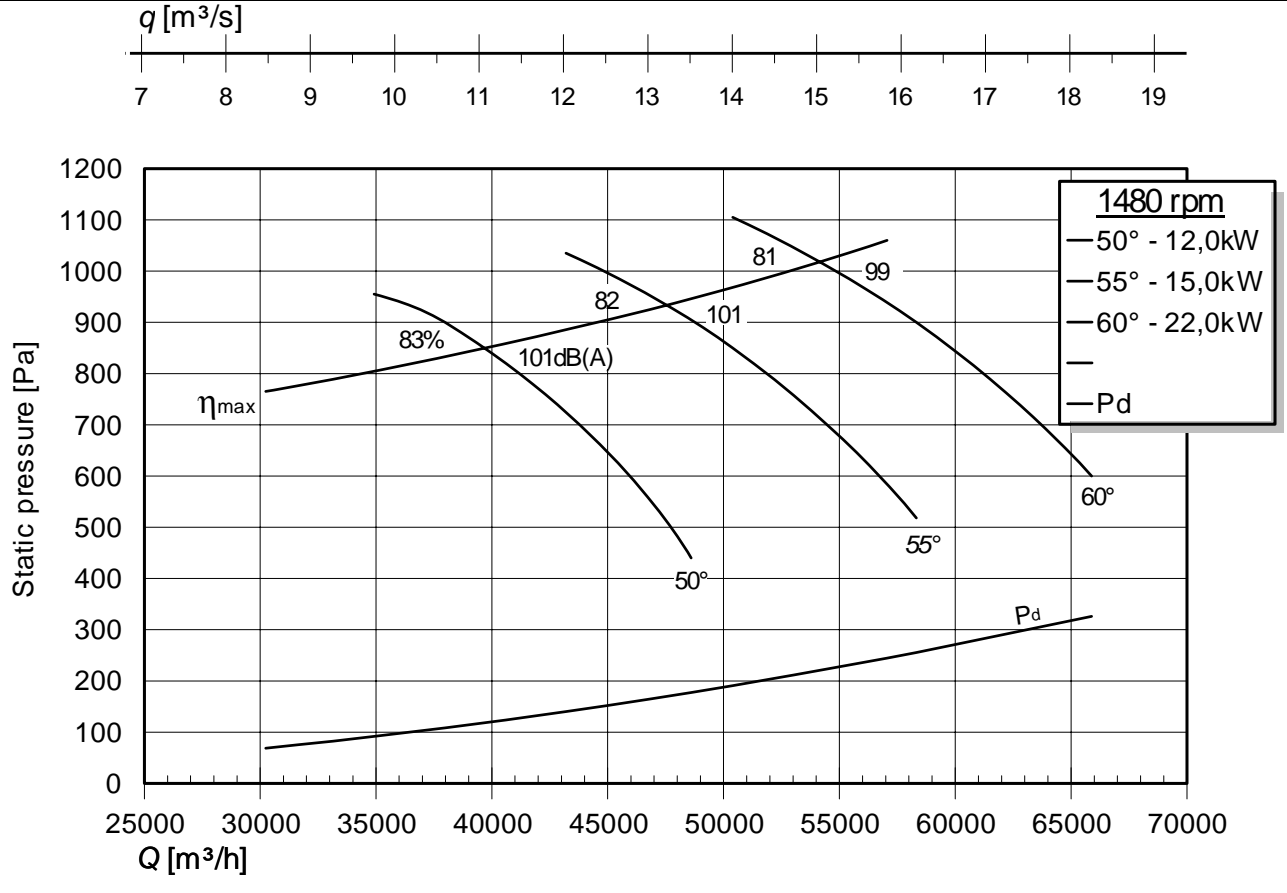
**MPV
1000 D1**



NYBORG VANEAXIAL FAN PERFORMANCE DATA

Speed 1480 rpm (50Hz)

**MPV
1000 D1**



Acoustic pressure level spectrum L_{oi} measured close to optimum working point for $n=1480$ r.p.m. and angle 50° , distance = 1m

N Y B O R G A S

n-mw04prs-16

N-6230 SYKKYLVEN, NORWAY
TEL +47 70 25 40 80 - FAX +47 70 25 29 08
office@nyborgfan.com - www.nyborgfan.com

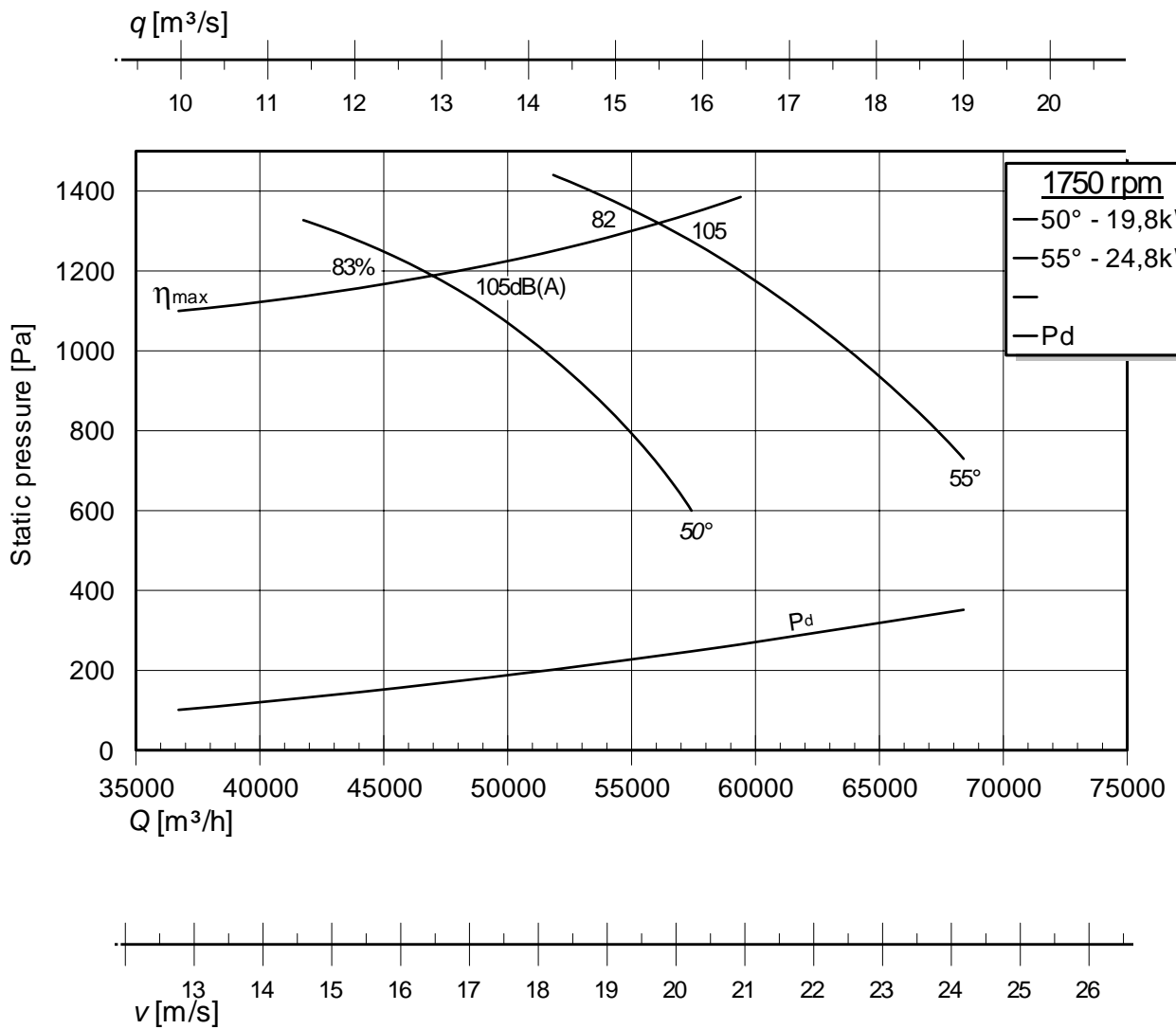
**MPV
1000 D1**



NYBORG VANEAXIAL FAN PERFORMANCE DATA

Speed 1750 rpm (60Hz)

**MPV
1000 D1**



N Y B O R G A S

n-mw04prs-17

N-6230 SYKKYLVEN, NORWAY
TEL +47 70 25 40 80 - FAX +47 70 25 29 08
office@nyborgfan.com - www.nyborgfan.com

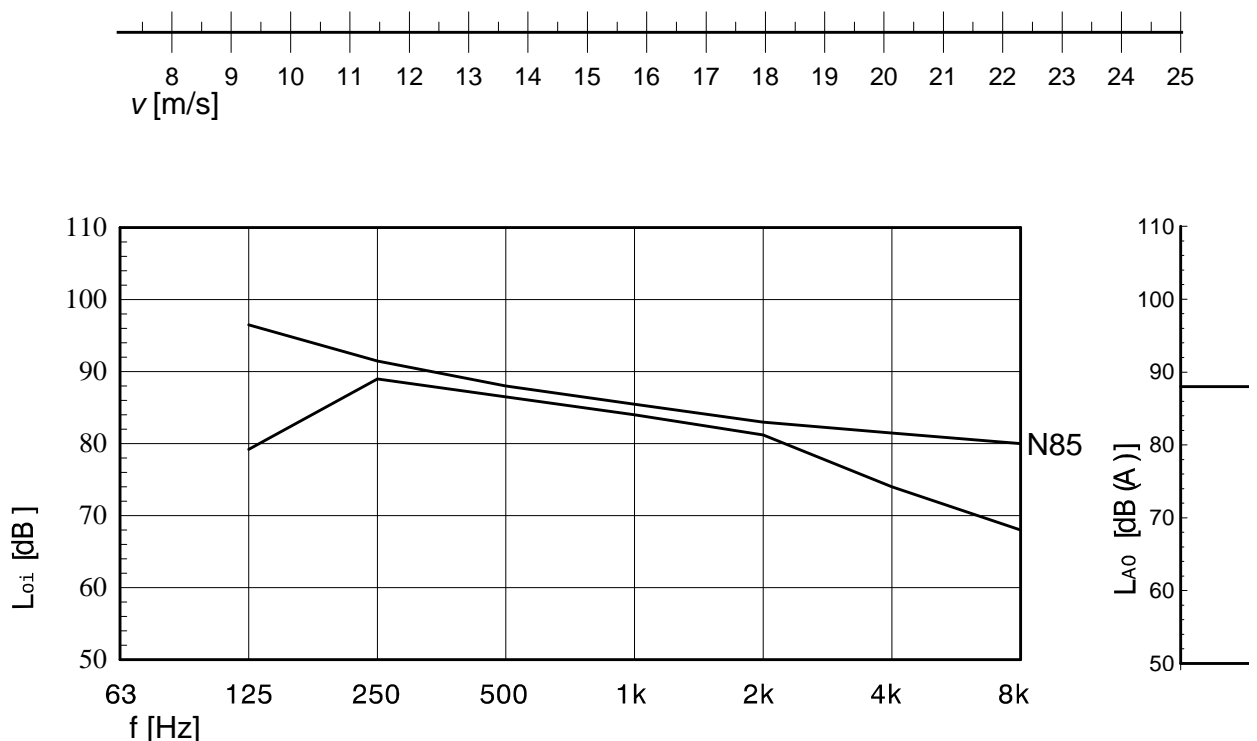
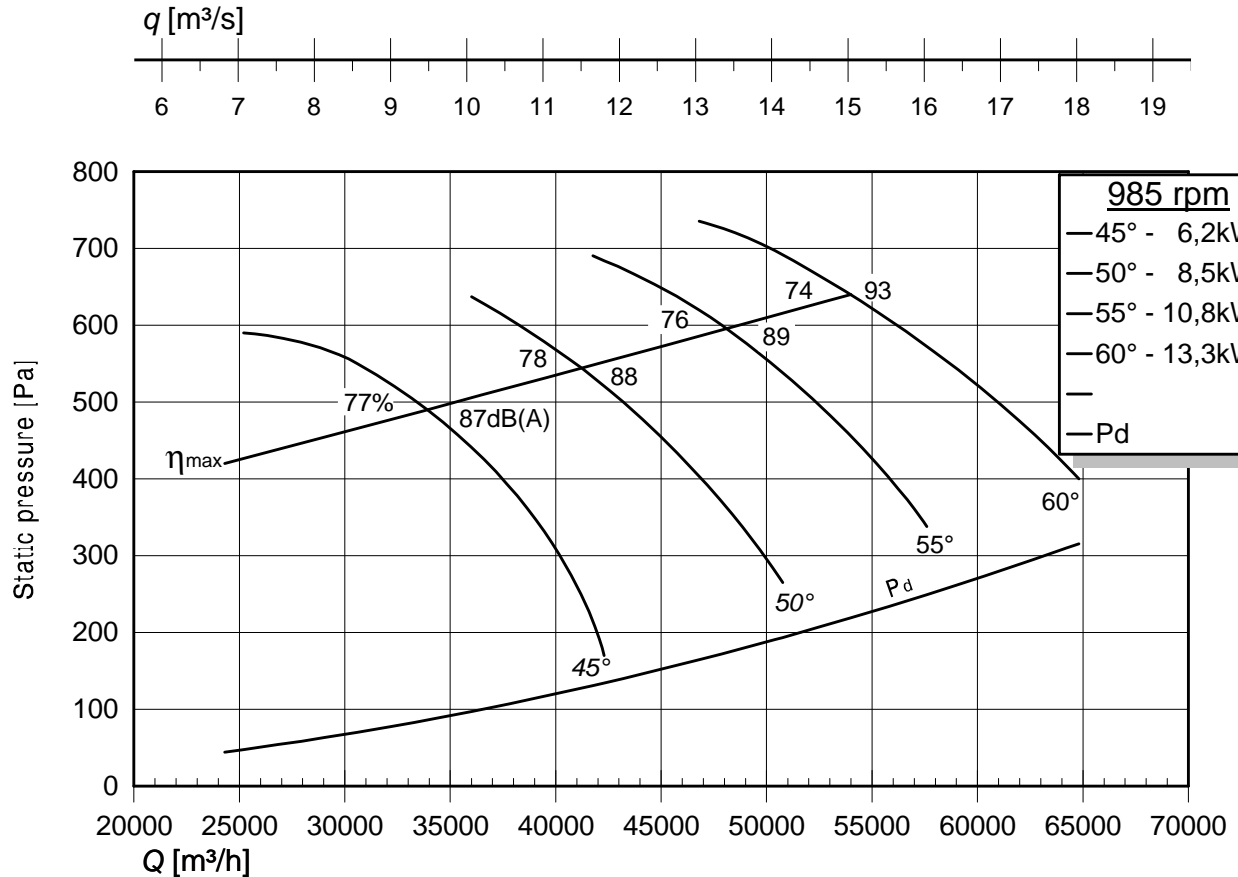
**MPV
1000 D1**



NYBORG AXIAL FLOW FAN PERFORMANCE DATA

Speed 985 rpm (50Hz)

**MPV
1120 D**



Acoustic pressure level spectrum L_{o1} measured close to optimum working point for $n=985$ r.p.m. and angle 50°

N Y B O R G A S

n-mw04prs-18

N-6230 SYKKYLVEN, NORWAY
TEL +47 70 25 40 80 - FAX +47 70 25 29 08
office@nyborgfan.com - www.nyborgfan.com

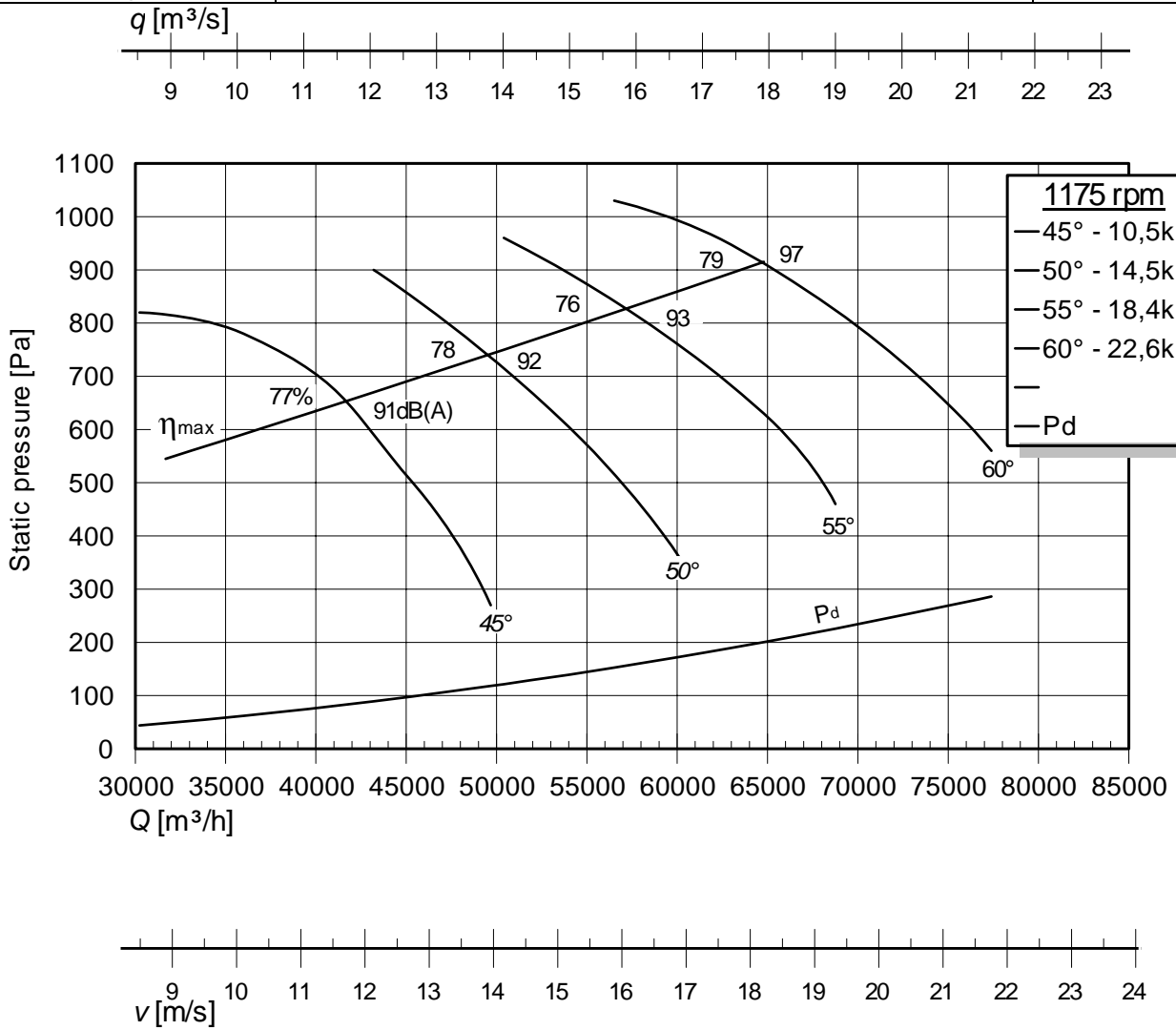
**MPV
1120 D**



NYBORG VANEAXIAL FAN PERFORMANCE DATA

Speed 1175 rpm (60Hz)

**MPV
1120 D1**

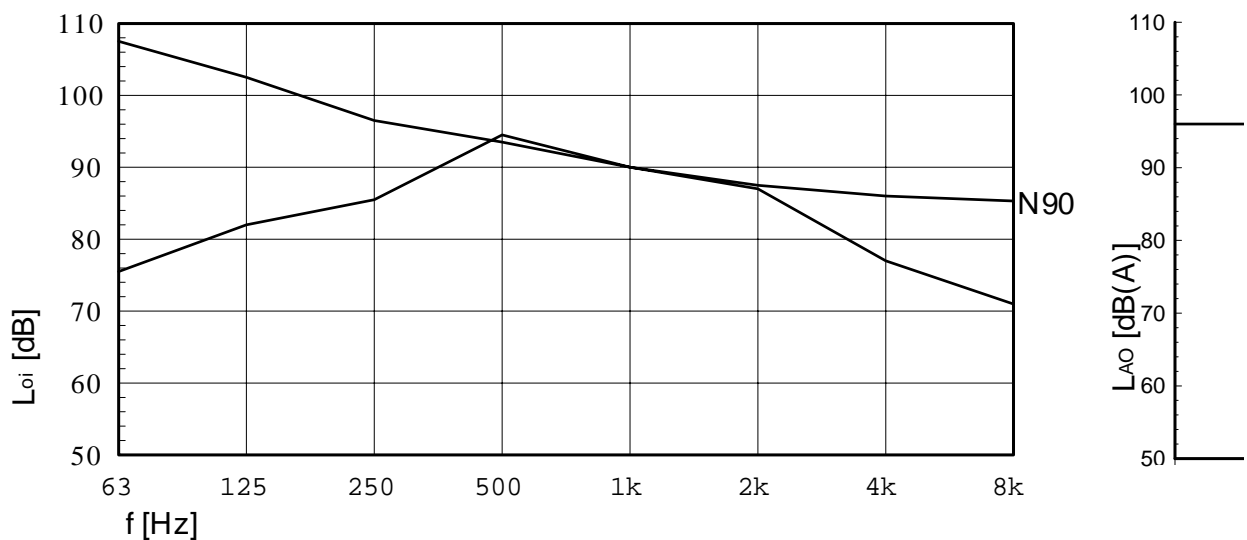
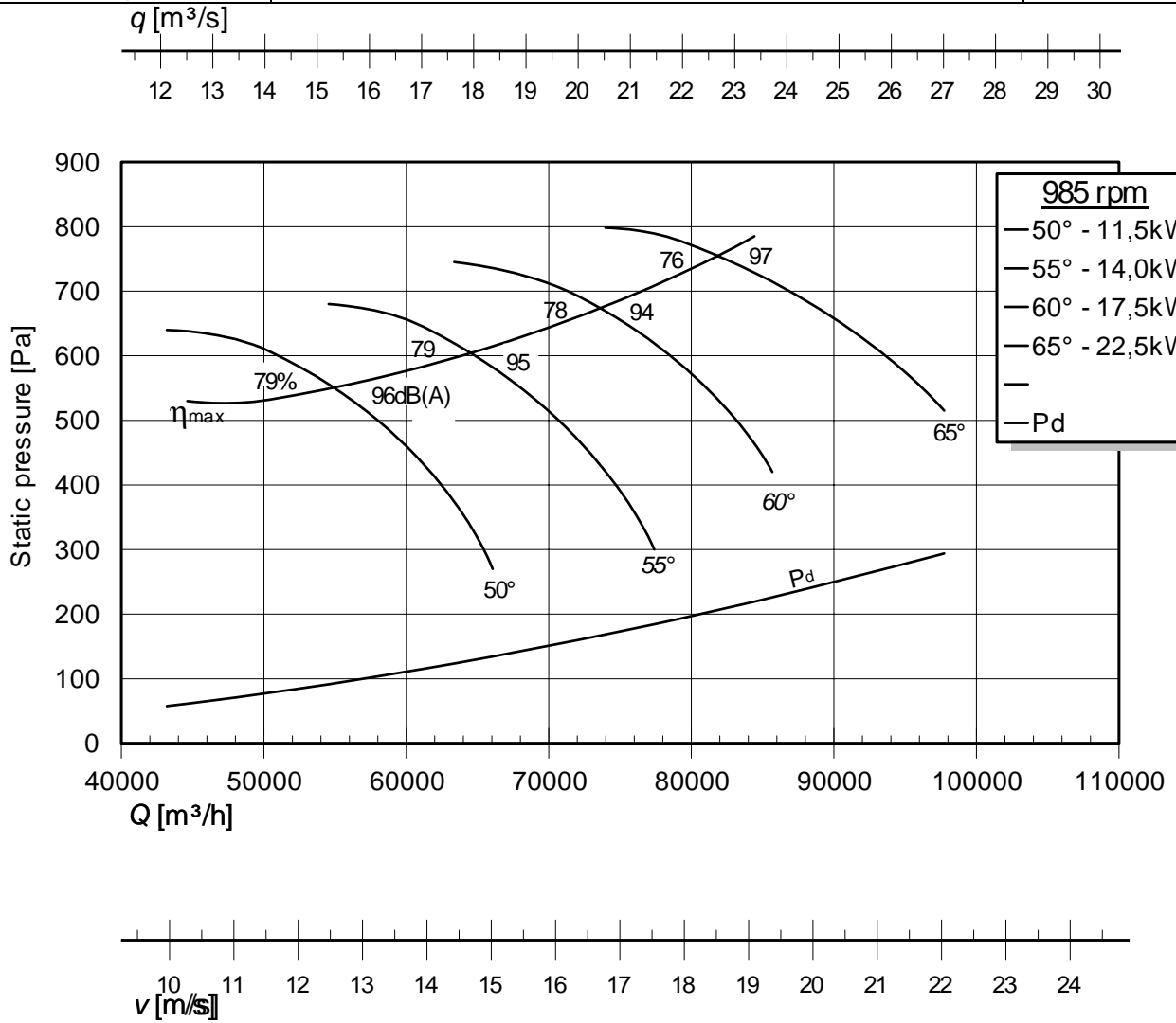




NYBORG VANEAXIAL FAN PERFORMANCE DATA

Speed 985 rpm (50Hz)

**MPV
1250 D1**



Acoustic pressure level spectrum L_{oI} measured close to optimum working point for $n=985$ r.p.m. and angle 50° , distance = 1m

N Y B O R G A S

n-mw04prs-20

N-6230 SYKKYLVEN, NORWAY
TEL +47 70 25 40 80 - FAX +47 70 25 29 08
office@nyborgfan.com - www.nyborgfan.com

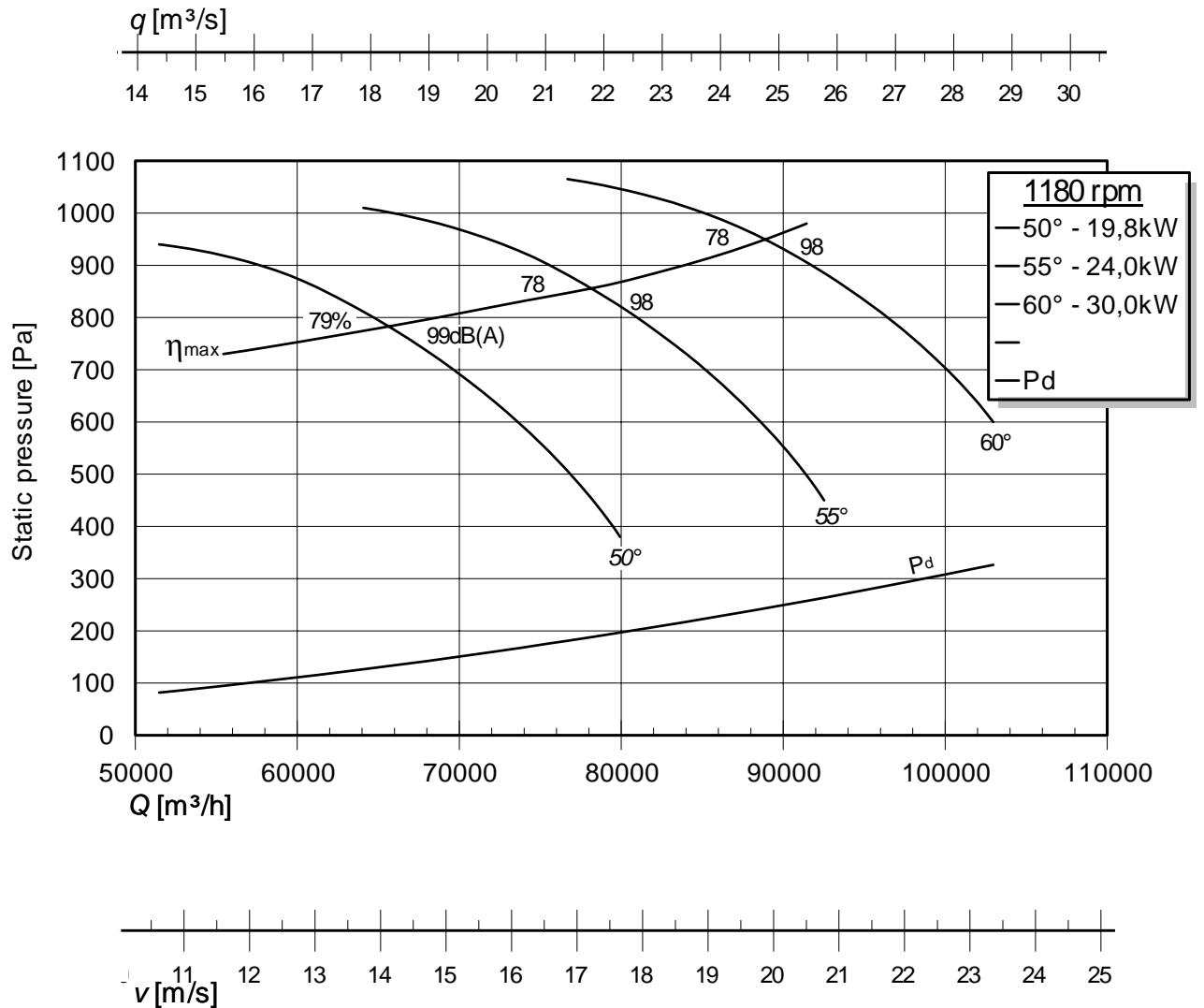
**MPV
1250 D1**



NYBORG VANEAXIAL FAN PERFORMANCE DATA

Speed 1180 rpm (60Hz)

**MPV
1250 D1**



N Y B O R G A S

n-mw04prs-21

N-6230 SYKKYLVEN, NORWAY
TEL +47 70 25 40 80 - FAX +47 70 25 29 08
office@nyborgfan.com - www.nyborgfan.com

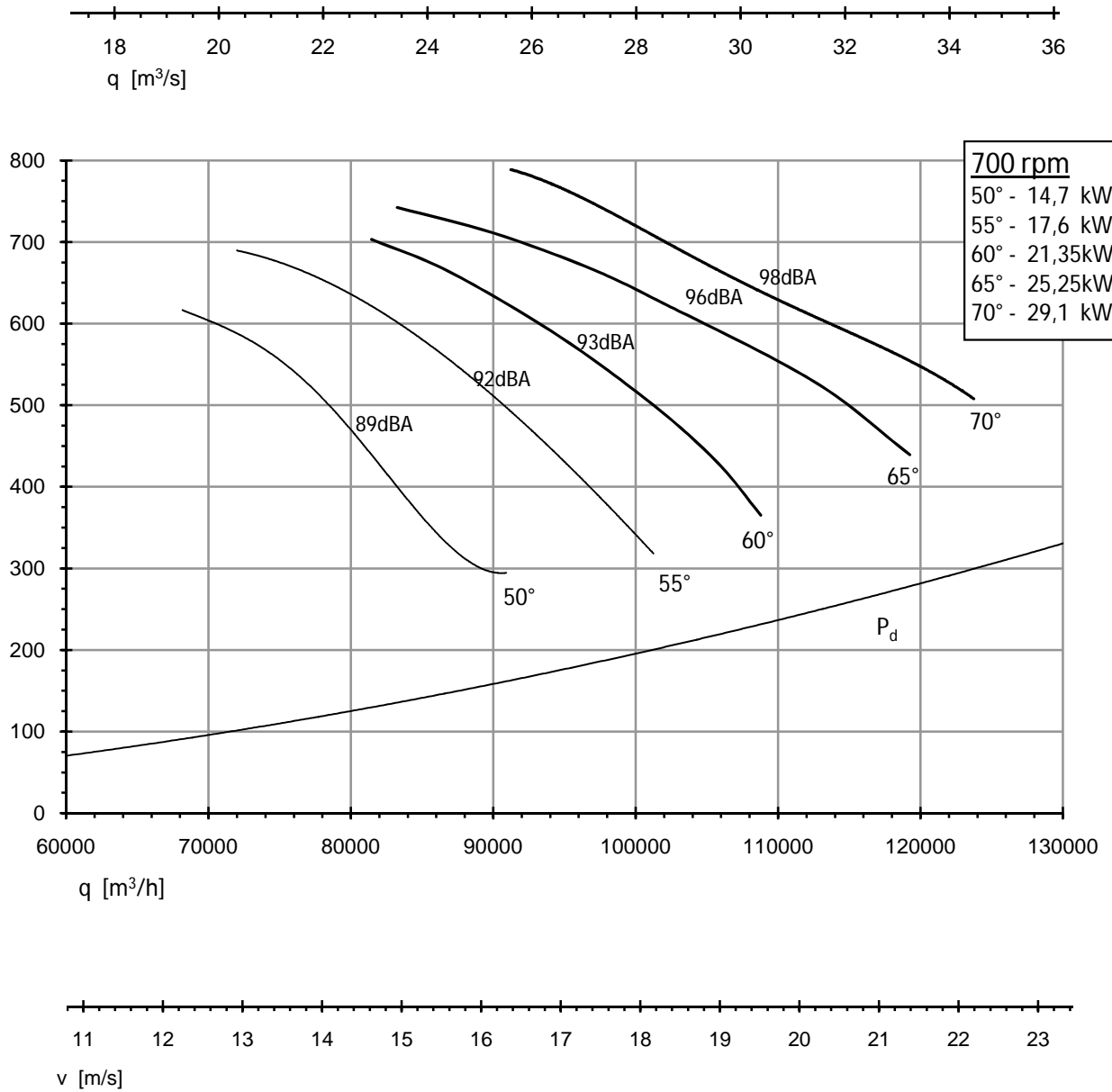
**MPV
1250 D1**



NYBORG VANEAXIAL FAN
PERFORMANCE DATA
Speed 700 rpm (50Hz - 8poles)

MPV 1400 D

Imp: D



N Y B O R G A S

N-6230 Sykkylven, Norway

TEL +47 7025 4080 - FAX +47 7025 2908

office@nyborgfan.com - www.nyborgfan.com

nybmw04-09
27.07.2010

MPV 1400 D

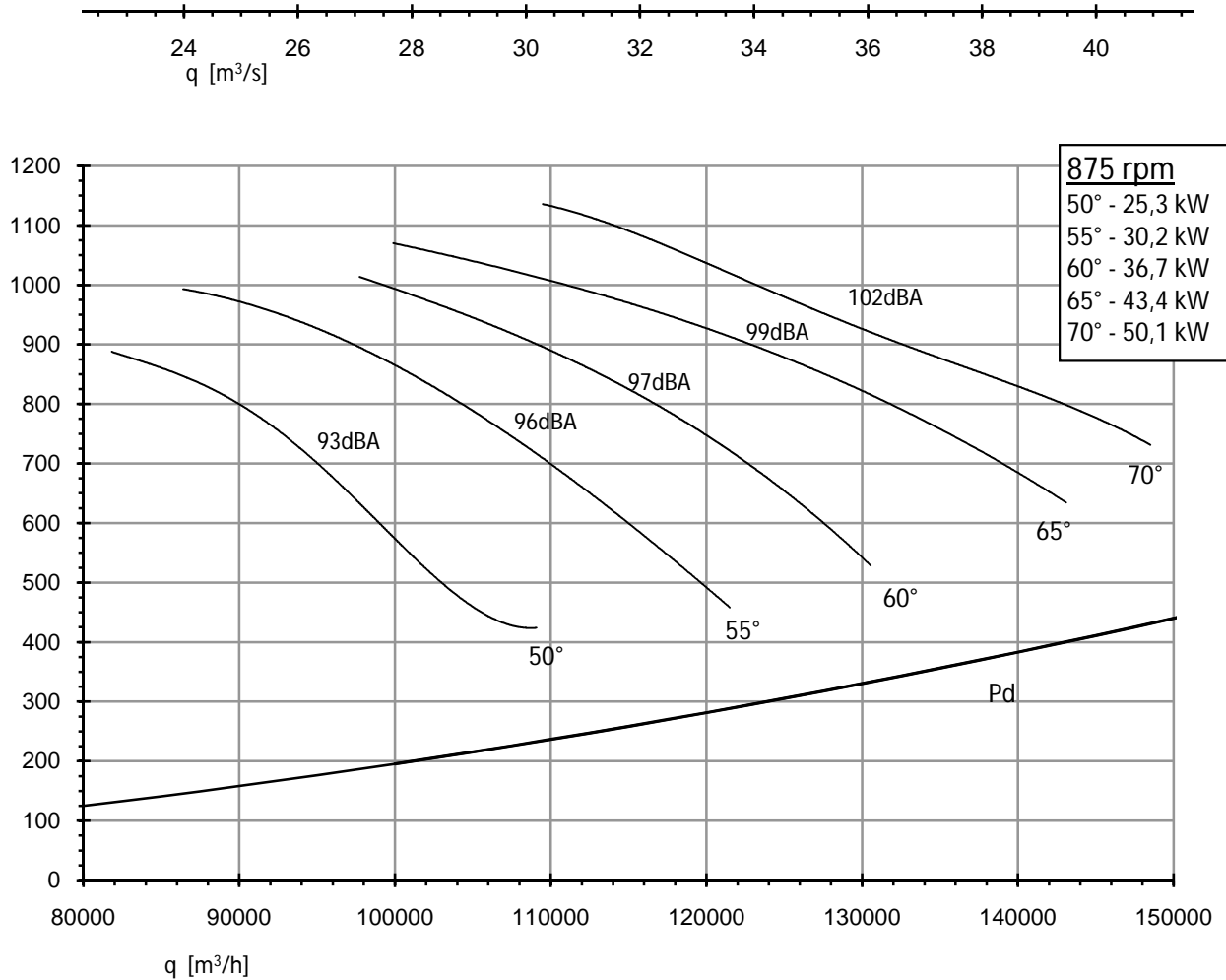


NYBORG VANEAXIAL FAN PERFORMANCE DATA

Speed 870 rpm (60Hz - 8 poles)

MPV 1400 D

Imp:



NYBORG AS

N-6230 Sykkylven, Norway

TEL +47 7025 4080 - FAX +47 7025 2908

office@nyborgfan.com - www.nyborgfan.com

04-09
27.05.2010

MPV 1400 D

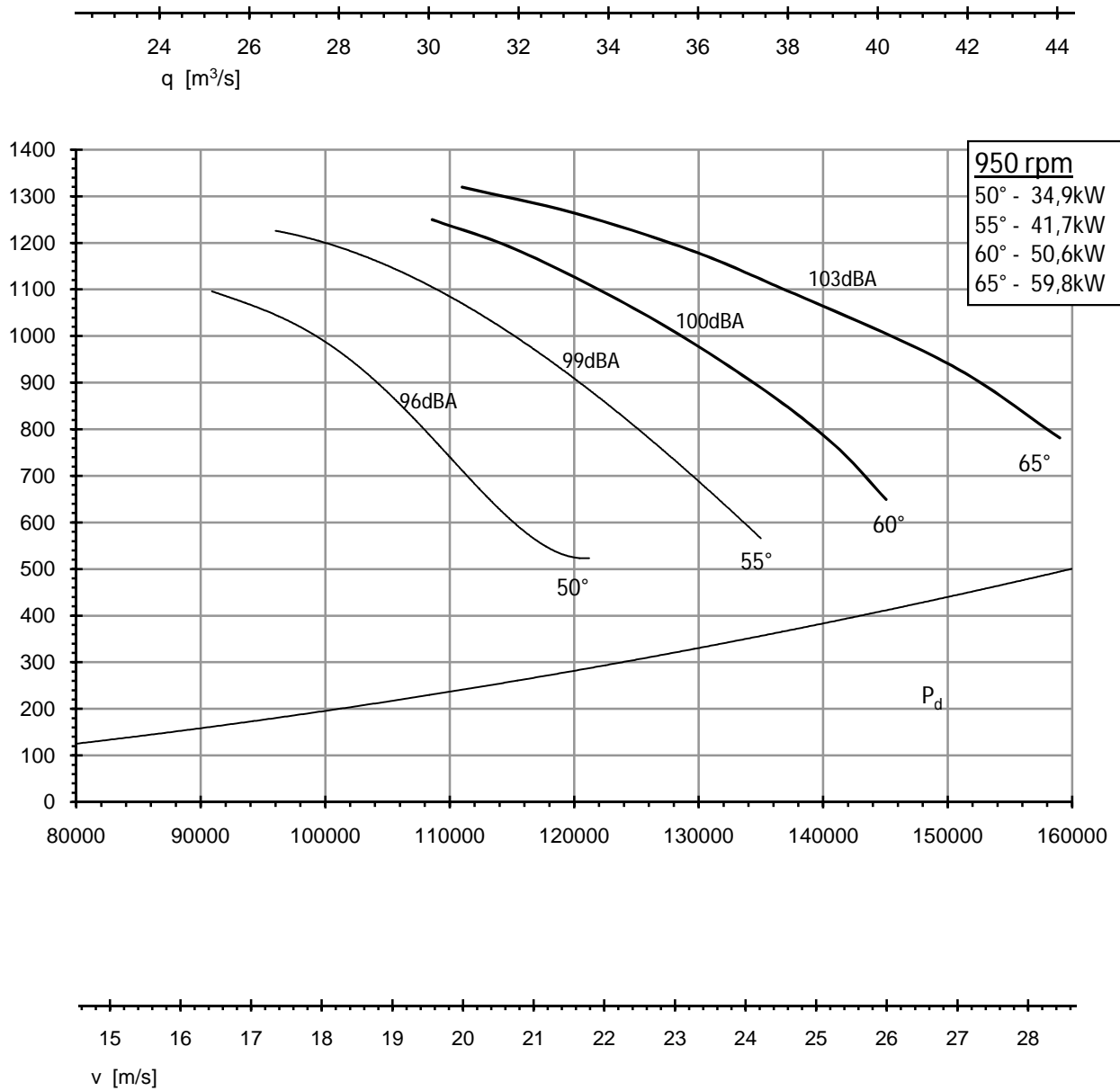


NYBORG VANEAXIAL FAN PERFORMANCE DATA

Speed 950 rpm (50Hz)

MPV 1400 D

Imp: D

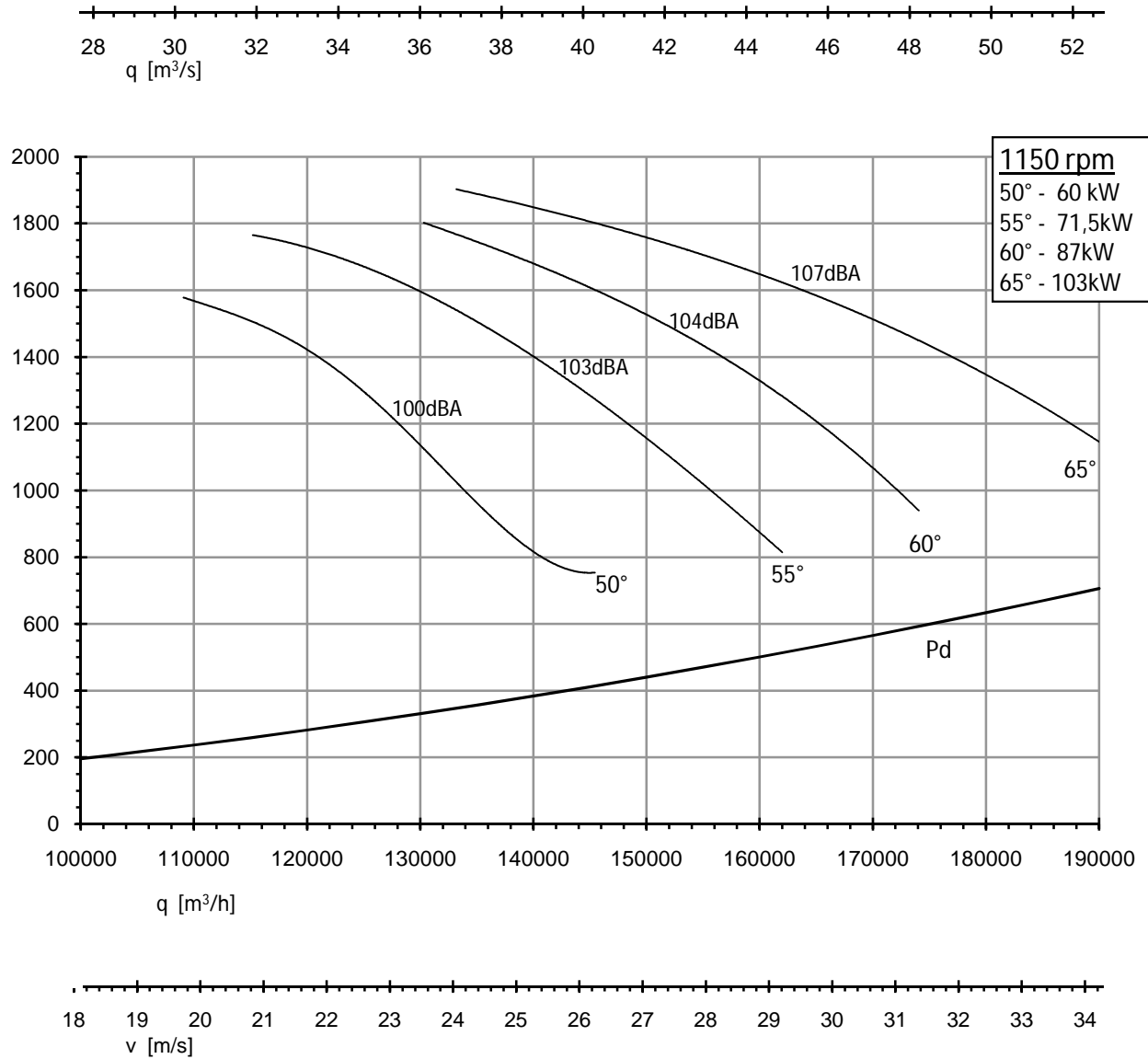




NYBORG VANEAXIAL FAN
PERFORMANCE DATA
Speed 1150 rpm (60Hz)

MPV 1400 D

Imp:



N Y B O R G A S

N-6230 Sykkylven, Norway
TEL +47 7025 4080 - FAX +47 7025 2908
office@nyborgfan.com - www.nyborgfan.com

MPV 1400 D

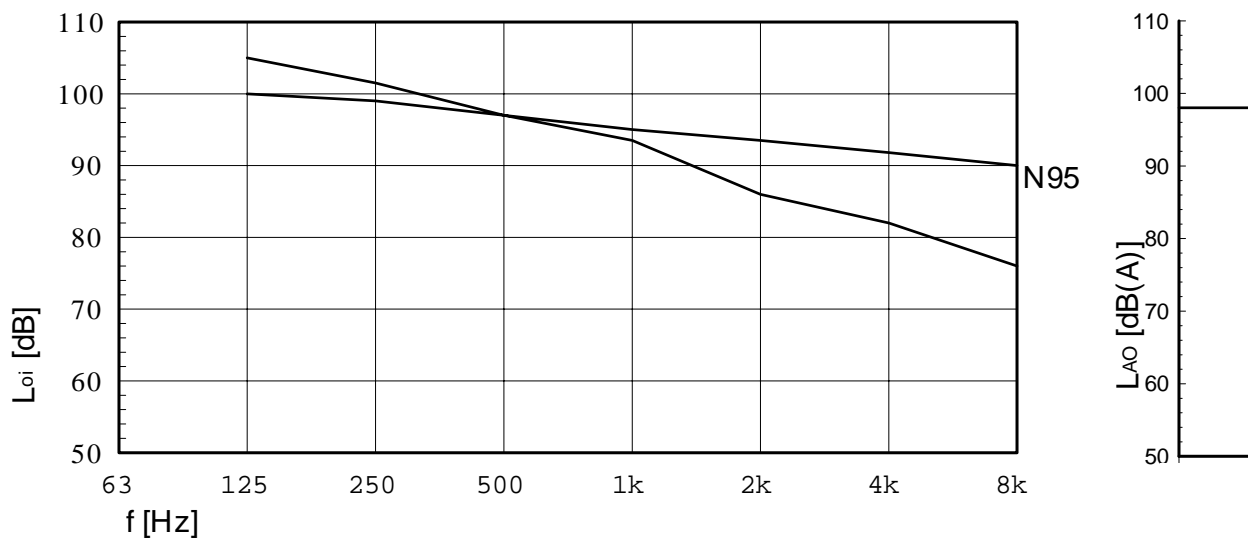
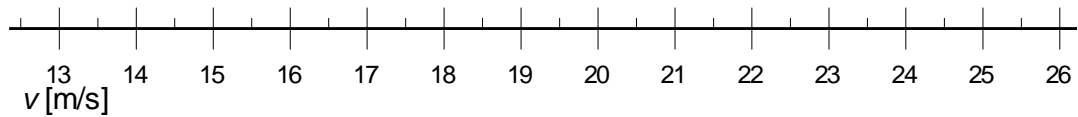
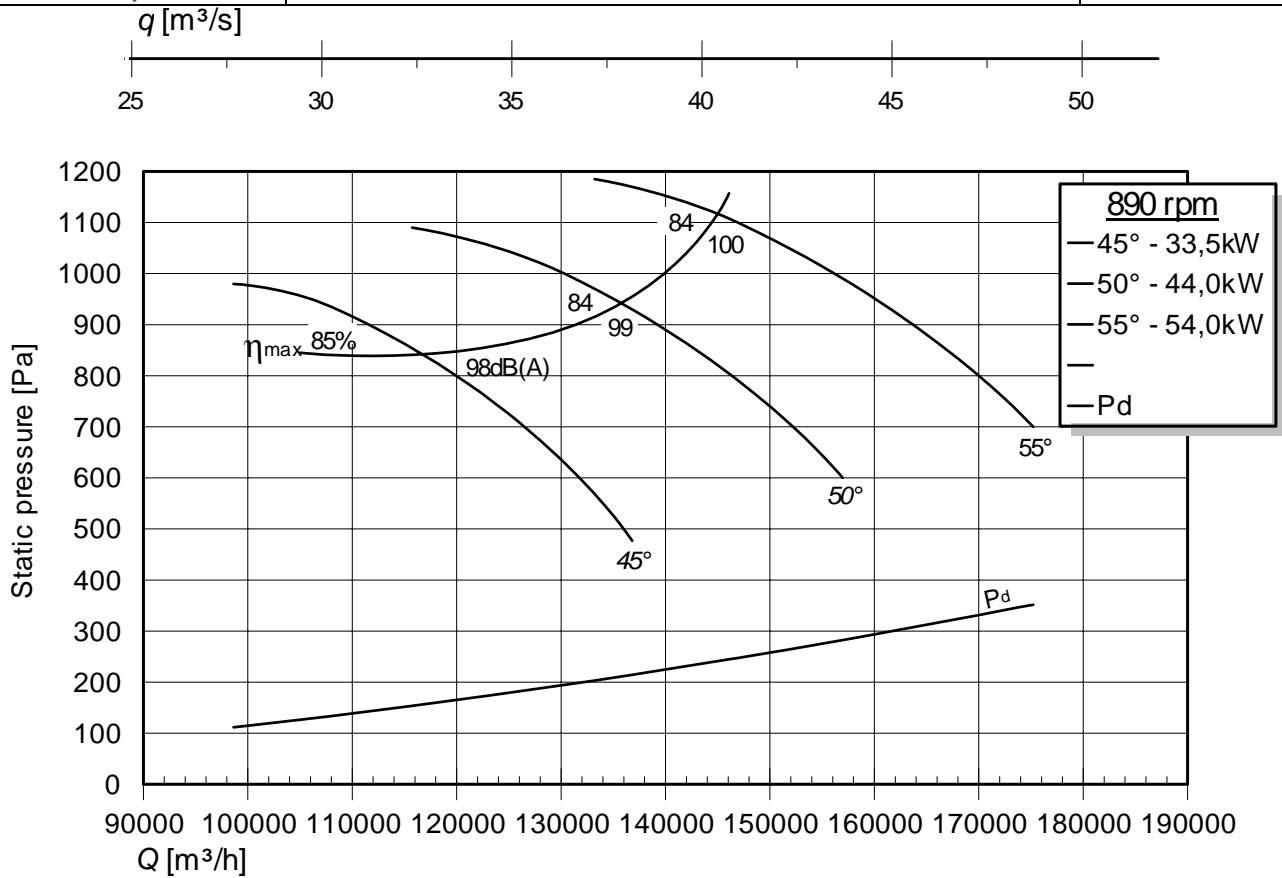
woms-06
27.05.2010



NYBORG VANEAXIAL FAN PERFORMANCE DATA

Speed 890 rpm (60Hz)

**MPV
1600 D1**



Acoustic pressure level spectrum L_{oi} measured close to optimum working point for $n=890$ r.p.m. and angle 50° , distance = 1m

N Y B O R G A S

n-mw04prs-22

N-6230 SYKKYLVEN, NORWAY
TEL +47 70 25 40 80 - FAX +47 70 25 29 08
office@nyborgfan.com - www.nyborgfan.com

**MPV
1600 D1**