

### APPLICATION

The SSVent is a rectangular multiblade shut off damper with circular adapter for mounting directly to axial fan or circular duct. It can also be mounted directly on bulkhead or in rectangular duct. Additional to shut off damper it can also be used as a regulating damper. Suitable for medium to bigger fans

### EXECUTION:

- Frame made in mild steel, hot dip galvanized. Damper blades and movable parts in stainless steel.
- Made in heavy duty design for high vertical load (e.g. fan and/or silencer on top), or thin walled for vertical installation.
- Rectangular size from 0,2x0,2 m up to 2m x 2m. Circular connection from  $\varnothing 250$  to  $\varnothing 1600$ .

### SPECIAL EXECUTION/DESIGN:

- Frame in stainless steel, aisi304/316 or alum.
- Smaller depth (e.g. 125mm) in case of limited space available.
- Made as combined weather louver with damper (max opening angle of damper blades 45 deg)

### ACTUATOR:

Electric 24-230V (non EX and EX for zone 1 or 2), pneumatic (non EX and EX for zone 1 or 2) or manual actuator.  
All electric or pneumatic actuators fail safe and with limit switches as standard.  
Pneumatic actuators also with solenoid valve and coil 24 or 230V

### OPTIONS:

- With counter opening blades for parallel air flow
- With indicator on outside
- With manual actuator
- With electric actuator with regulation / modulation of opening angle.
- With limitation for opening angle (e.g. max 45 deg)
- With wire mesh (typical if installed in ship side)
- Special flange or hole pattern
- With circular adaption, one or both sides.
- With gasket for low leakage
- With external limit switches and junction box.
- Special coating for actuator for outdoor mounting

### DAMPER DATA

Max pressure	Max 1700Pa up to size 1250x1250 Max 2500PA up to size 900x900
--------------	--

Blade leakage	Class 2 acc to EN1751:1998
---------------	----------------------------

Flange standard	Nyborg
-----------------	--------

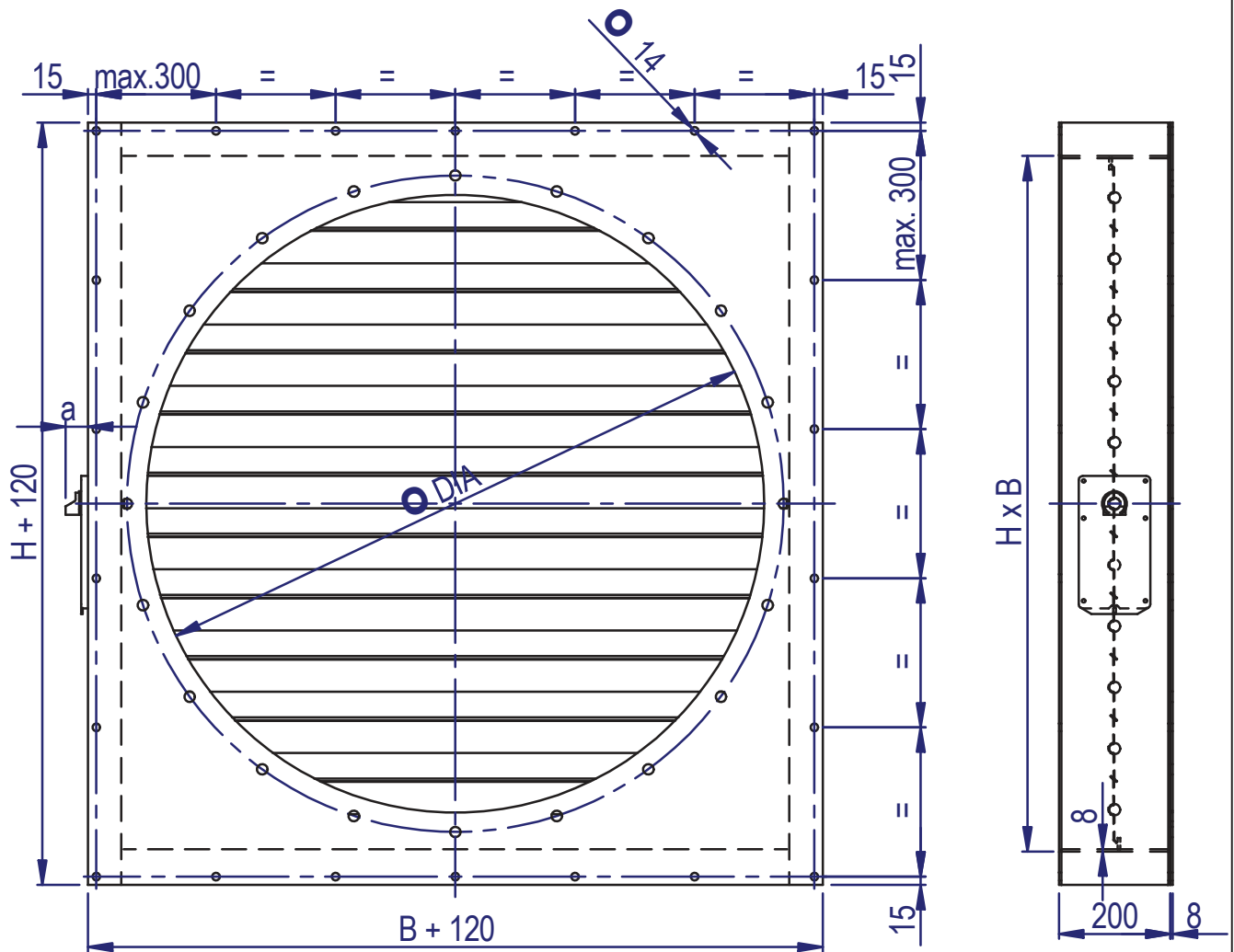
Pressure drop coefficient	Appr 0,35 for size 700x700 Appr 0,25 for size 1250x1250
---------------------------	--

Max recommended air speed	30m/s
---------------------------	-------



# NYBORG RECTANGULAR SHUT-OFF DAMPER

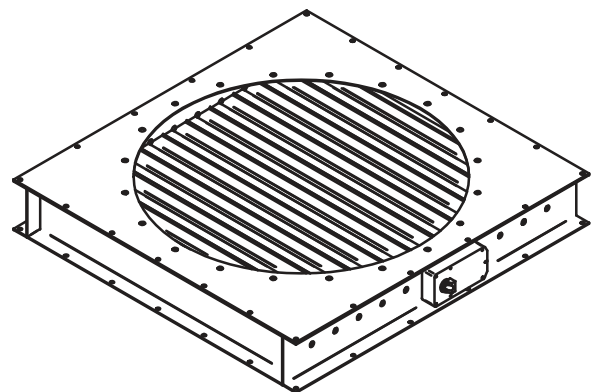
SSVent



NYBORG RECTANGULAR SHUT-OFF DAMPER,  
 DESIGNED FOR CIRCULAR APPLICATION,  
 SSVent BxH, made of hot dipped galv. Steel.  
 Damper blades and shafts in AISI 316L.  
 Adapterplate is made of hot dipped galv. steel.  
 Equipped with electrical or pneumatical actuators.

Actuator	a
N	100
B	80
E	200

DIA	B	H
710		810
800	900	920
900	1000	1030
1000	1100	1140
1120	1250	1250
1250	1360	1360
1400	1500	1580
1600	1750	1800



19/11-02

**N Y B O R G A S**

R.Berge  
4-2225

N-6230 SYKKYLVEN, NORWAY  
 TEL +47 70 25 40 80 - FAX +47 70 25 29 08  
 office@nyborgfan.com - www.nyborgfan.com

SSVent