



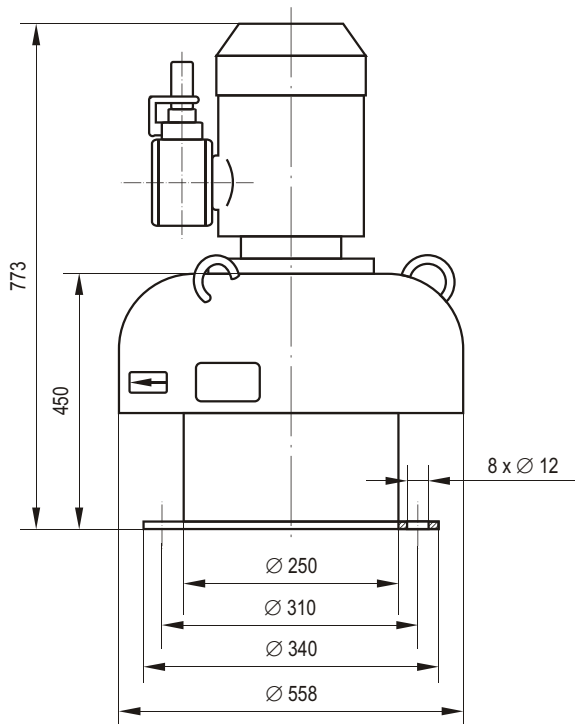
NYBORG-MAWENT S.A.  
Ciepła Street 6, 82-200 Malbork, Poland  
Phone +48 (55) 272 33 71, fax +48 (55) 272 33 76 e-mail: office@nyborg-mawent.com  
[www.nyborg-mawent.com](http://www.nyborg-mawent.com)

COMMERCIAL-TECHNICAL INFORMATION No P6-48

**CENTRIFUGAL EXPLOSION PROOF FAN TYPE:  
WG-25P**

**Mark Ex-WII (PETROL VAPOUR) KDB No 90.109 W**

WG-25P fan is designed for forcing medium containing petrol vapours out of closed compartments and open spaces numbered among WII category of explosive conditions. The fan is to be installed on the end of vertical ventilation duct. Marine type. Ex-proof electric motor marine type is of Exd IIB T4 admittance mark.



Technical parameters:	
noise value of fan:	86 dB (A)
flywheel effect:	2 Nm <sup>2</sup>
max. air temperature:	323 K (50°C)
motor type:	mExdSSKf90L-2A
explosion-proof class:	IIB
group:	T4
power:	1,3 kW
voltage:	3x380V
voltage:	II C
safe class:	JP56
rotation speed:	2860 obr/min
weight of fan with motor:	75 kg
motor:	29 kg
weight of impeller:	5,5 kg

