

NYBORG-MAWENT S.A.
 Ciepła Street 6, 82-200 Malbork, Poland
 Phone +48 (55) 272 33 71, fax +48 (55) 272 33 76 e-mail: office@nyborg-mawent.com
 www.nyborg-mawent.com

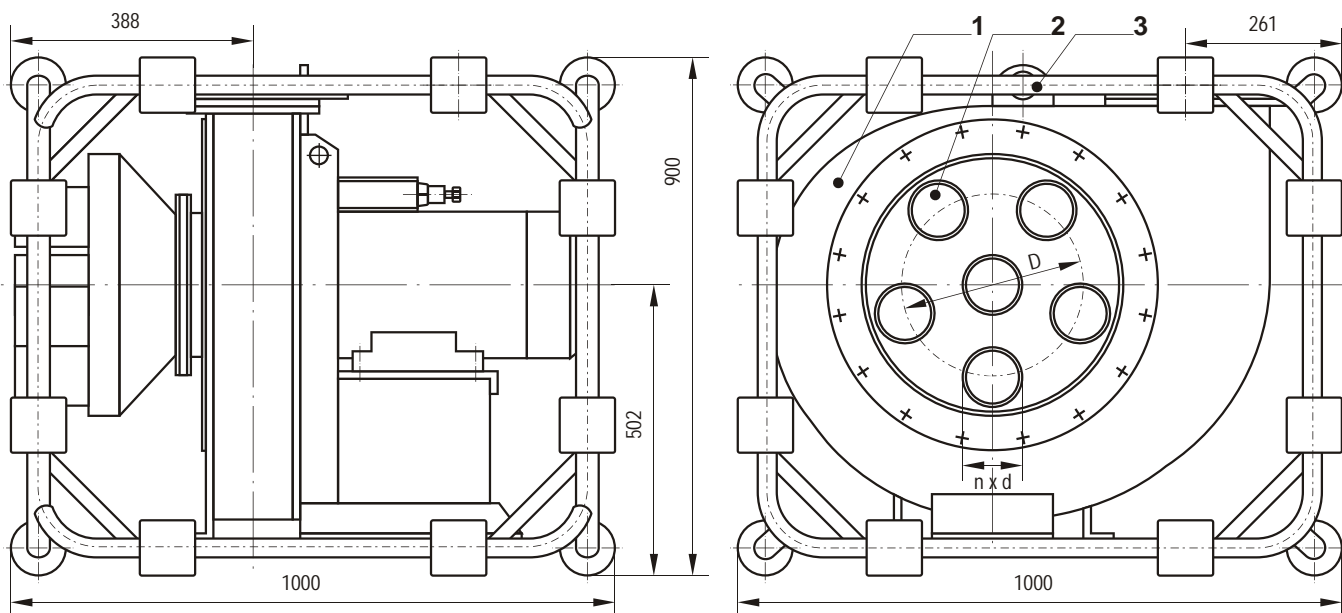
COMMERCIAL-TECHNICAL INFORMATION No R3-11

EXPLOSION PROOF VENTILATION DEVICE OF WUP -1 TYPE

Explosion proof statement KDB No 0017M/83
Stamp Ex (xsylen + painter's naphtha + butanol + air)

APPLICATION

The device has been provided with an explosive proof, corrosion resistant, centrifugal exhaust-supply fan type: WP-25P which can force medium with painter's naphtha vapour, xylene, toluene, ethyl acetate and ethyl alcohol in accommodations and external areas having Z1 and Z2 class of explosion hazard. The device is protected against mechanical and electrical sparking which can generate ignition of dissolving vapour, which in the liquid state contains: xsylen-65%, painter's naphtha-20%, butanol-15%



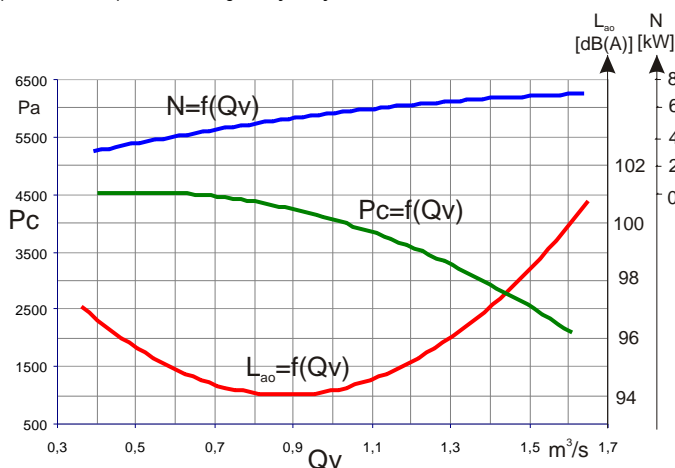
UWAGA:

1. Przy montażu i pracy urządzenie zachować poziome położenie osi wentylatora.
2. Do urządzenia stosować przewód OPd 750 V - 4x2,5 mm² - SWW 1134-311.
3. Podłoga zgodnie z przepisami budowy urządzeń elektroenergetycznych dla pomieszczeń i przestrzeni zagrożonych wybuchem.

LEGENDA:

1. Wentylator promieniowy przeciwybuchowy WP-25 P
2. Kolektor (może posiadać n=4;5 lub 6 króćców)
3. Rama no na

n	d	D
szt.	mm.	
6	100	300
5	125	285
4	150	390



Technical parameters:	
Flywheel effect:	20 Nm ²
Max. temperature of medium:	
Max. dust in medium:	0,3 g/m ³
Motor type:	ESf132S-2B
Explosion-proof class:	II B
grupa zapłonowa:	T4
Power:	7,5 kW
Voltage:	380V
Rev. speed:	2925
Weight of motor:	91 kg
Weight of fan without motor:	55 kg
Weight of impeller:	15,5 kg
Total weight of WUP-1	234 kg