

ACCESSORIES

CYCLONES TYPE DI DII DIII DIV

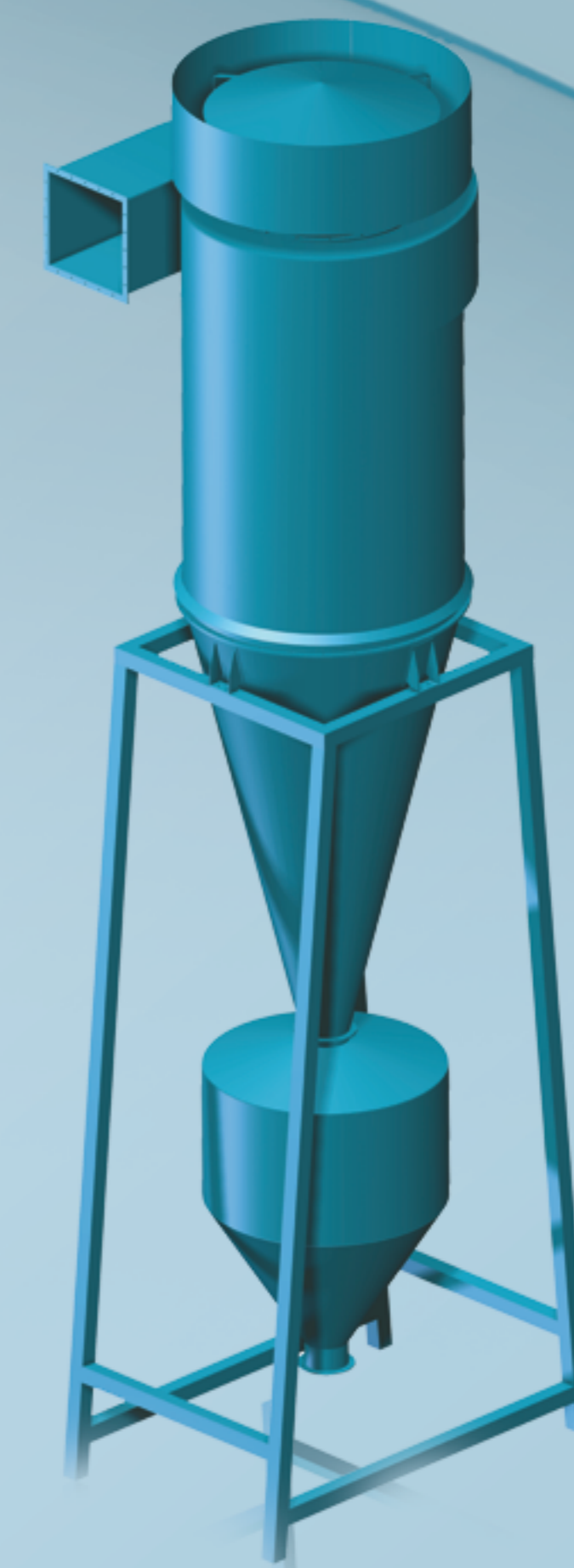
APPLICATION

Following types of cyclones can be offered:

DI, DIII – dextrorotary
D-II, DIV – levorotary

Cyclones are used for removing dust and sawdust from woodworking machines. Cyclones type DI and DII operate with fan on exhaust side, while DIII and DIV on suction side. Cyclones are equipped in dust container and basement.

The size of cyclones depends on fan capacity with which cyclone cooperates.

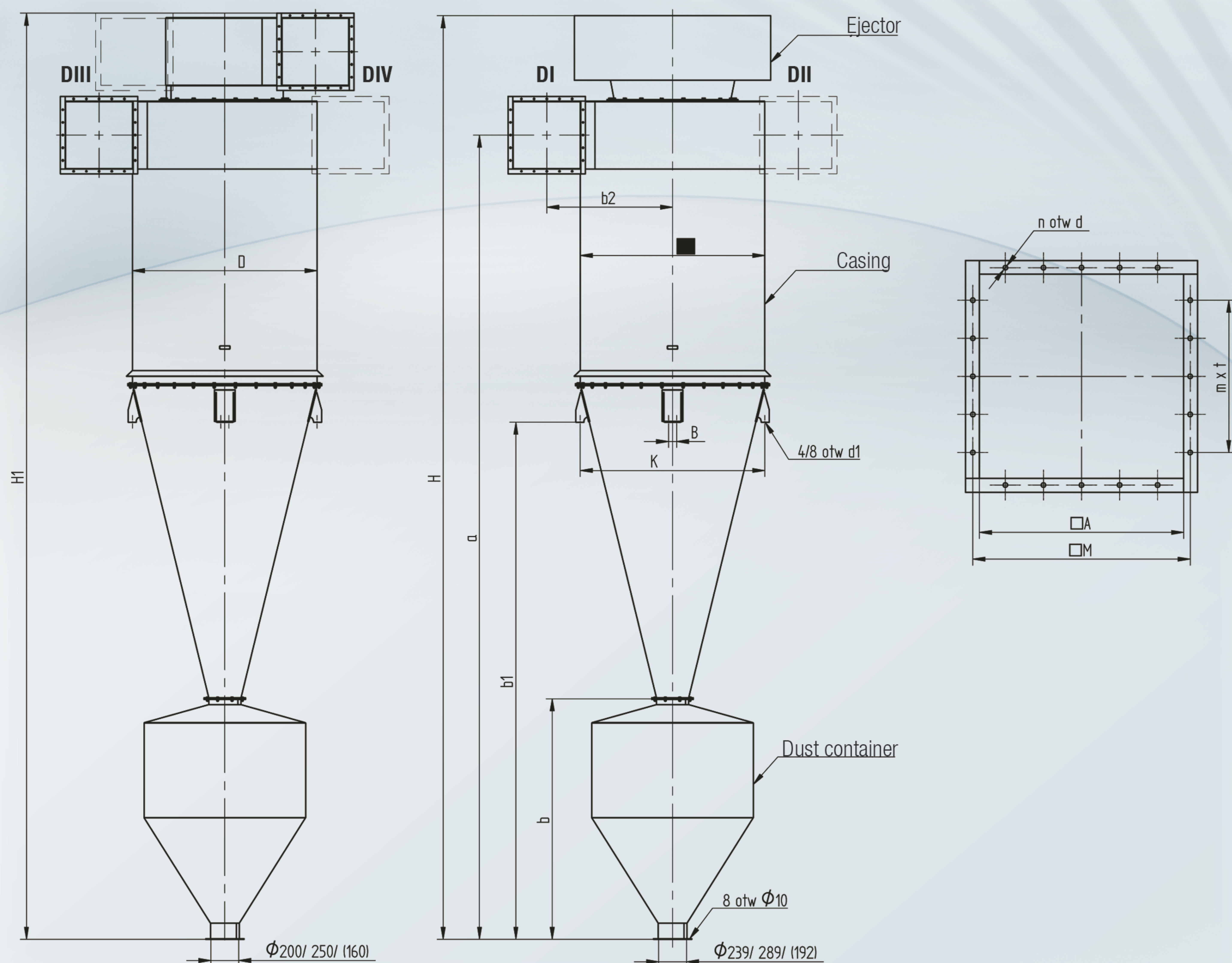


NYBORG-MAWENT

NYBORG-MAWENT S.A. ul. Ciepła 6 82-200 Malbork
Tel.: +48 55 646 63 00 Fax: +48 55 646 63 09 E-mail: office@nyborg-mawent.com
www.nyborg-mawent.com



ACCESSORIES – CYCLONES TYPE DI DII DIII DIV



Size D	Airflow [m³/s]	Dimensions														Weight [kg]	
		[mm]															
		H	H ₁	a	b	b ₁	b ₂	A	M	B	K	t	d	d ₁	[szt.]		
															m	n	
400	0,23+0,42	2100	---	---	520	222	---	150	180	---	---	80	9,5	15	1	8	72
450	0,29+0,54	2365	2325	2004	585	1108	310	172	200	---	503	90					100
500	0,36+0,66	2560	---	---	650	---	---	185	215	---	---	95					105
560	0,45+0,83	2816	---	---	730	---	---	211	241	---	---	111					150
630	0,58+1,05	3200	3175	2722	820	1605	433	236	266	---	670	85	100	15	2	12	230
710	0,73+1,34	3630	3600	3092	925	1808	493	258	296	---	732	100					275
800	0,65+1,70	4200	4105	3541	1040	2140	548	290	326	40	862	90	12	18	3	16	350
900	1,19+2,16	4575	4505	3891	1170	2440	619	330	366	60	937	90					425
1000	1,35+2,44	5140	5100	4421	1300	2700	685	362	401	40	1020	100	12	18	4	20	510
1120	1,80+3,33	5895	5695	4944	1460	3045	785	405	452	---	1120	90					675
1250	2,32+4,22	6300	6230	5394	1625	3425	852	454	502	60	1250	100	14	22	5	24	780
1400	2,95+5,38	6990	6970	6051	1825	3880	955	510	557	---	1400	100					945
1600	3,74+6,83	8006	7983	6971	2085	4483	1090	580	628	70	1600	110	14	22	5	24	1610
1800	4,76+8,66	9130	---	7495	2344	5414	1225	655	705	---	1800	110					2300
2000	5,42+9,86	10000	---	---	2606	---	---	---	780	---	---	120	14	22	5	24	2810

