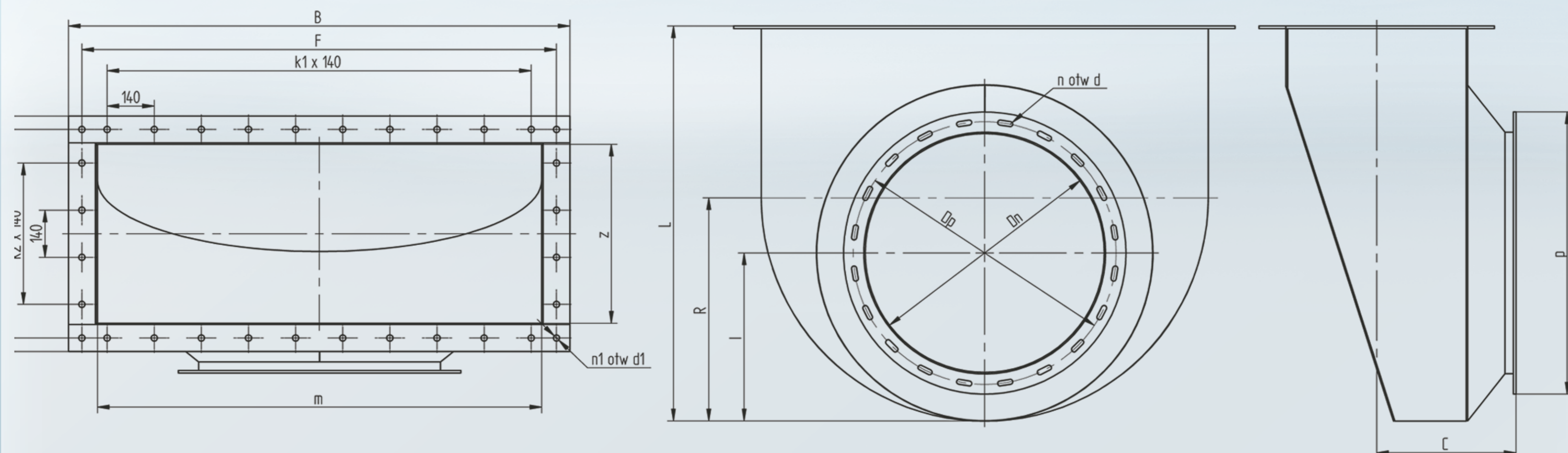
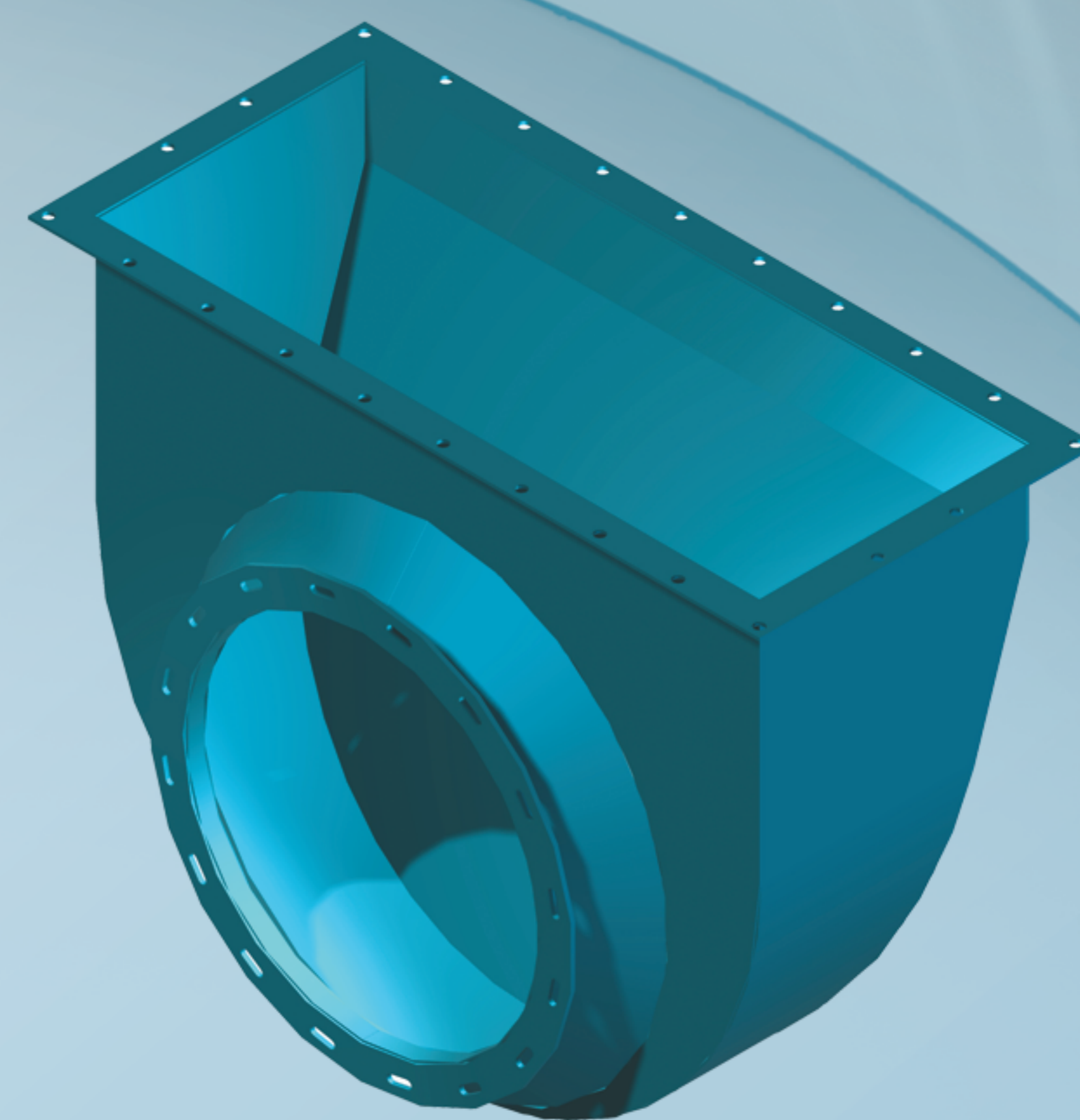


ACCESSORIES

ELBOW INLET

APPLICATION

Elbow inlets are produced in 6 sizes: K-40, K-50, K-56, K-63, K-71 and K-80, the diameters of which are 400, 500, 560, 650, 710 and 800mm, respectively. They are meant mainly for WPSS combustion gas fans. They can be also mounted at the inlet of other centrifugal fan types, which have a heavy flange connections with round bore acc. to PN-79/M-43003.



K	Dimensions														[pcs.]				Weight [kg]	
	A	B	C	E	F	L	R	I	z	m	D _p	D _n	P	d	d ₁	k1	k2	n		n ₁
40	410	860	235	370	820	710	379,5	285	303	753	446	400	489	12	15	3	1	12	16	38
50	482	1056	281	445	1020	910	472,5	355	375	949	573	500	607	15		5		20	58	
56	552	1187	320	515	1150	970	533	390	425	1060	633	560	687		7	16		24	75	
63	602	1307	360	565	1260	1035	593	430	475	1180	703	630	757	15	19	9	3	20	32	90
71	700	1490	414	620	1410	1175	664	500	530	1320	783	710	839			11				133
80	772	1672	468	690	1590	1350	755	580	600	1500	875	800	952			11				225

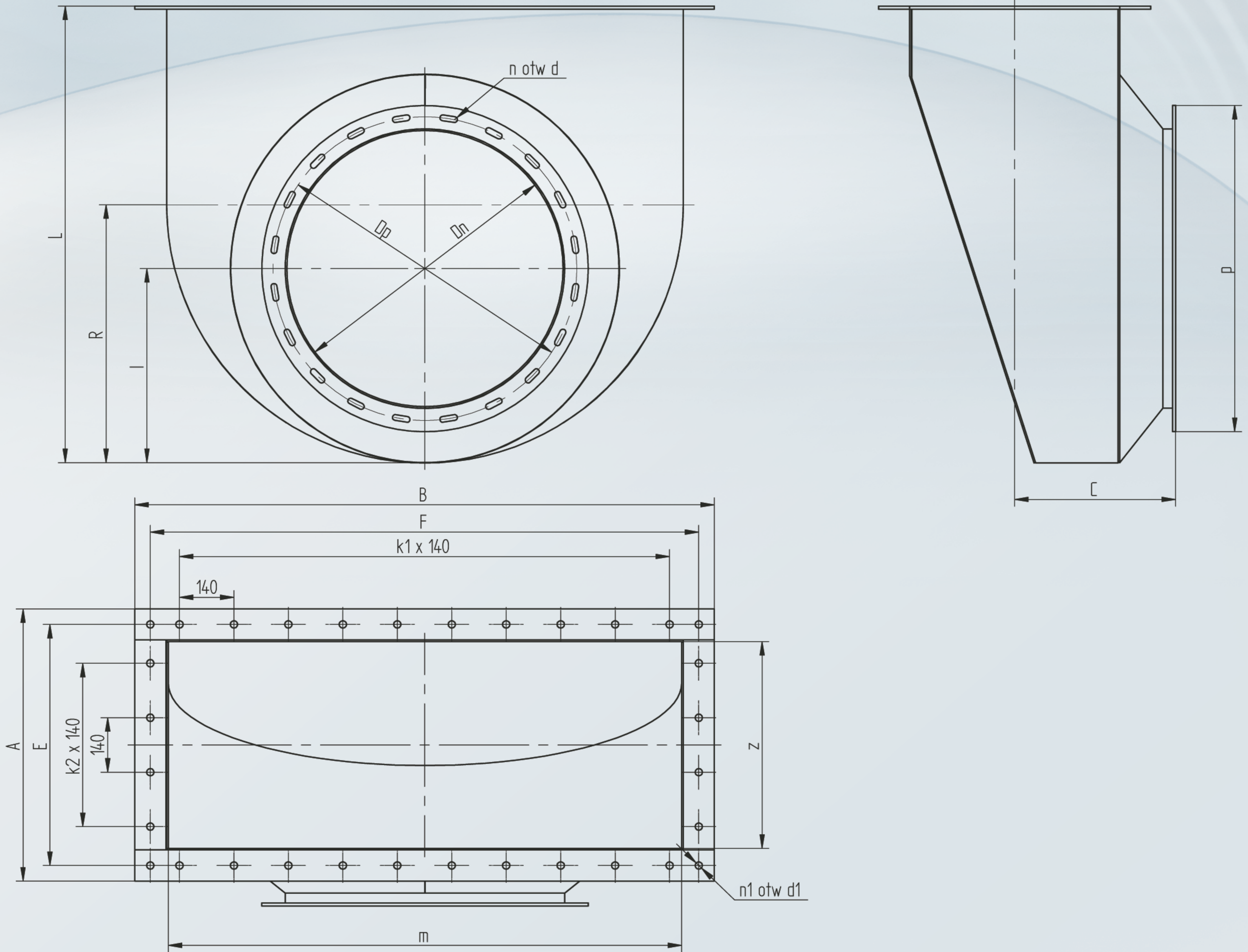


NYBORG-MAWENT

NYBORG-MAWENT S.A. ul. Ciepła 6 82-200 Malbork
 Tel.: +48 55 646 63 00 Fax: +48 55 646 63 09 E-mail: office@nyborg-mawent.com
 www.nyborg-mawent.com



ACCESSORIES – ELBOW INLET



K	Dimensions														[pcs.]				Weight [kg]	
	[mm]																			
	A	B	C	E	F	L	R	l	z	m	D _p	D _n	P	d	d ₁	k1	k2	n	n ₁	
40	410	860	235	370	820	710	379,5	285	303	753	446	400	489	12	15	3	1	12	16	38
50	482	1056	281	445	1020	910	472,5	355	375	949	573	500	607	15		5				
56	552	1187	320	515	1150	970	533	390	425	1060	633	560	687	15	19	7		16	24	75
63	602	1307	360	565	1260	1035	593	430	475	1180	703	630	757			9	90			
71	700	1490	414	620	1410	1175	664	500	530	1320	783	710	839			11	133			
80	772	1672	468	690	1590	1350	755	580	600	1500	875	800	952			3	20	32	225	

