

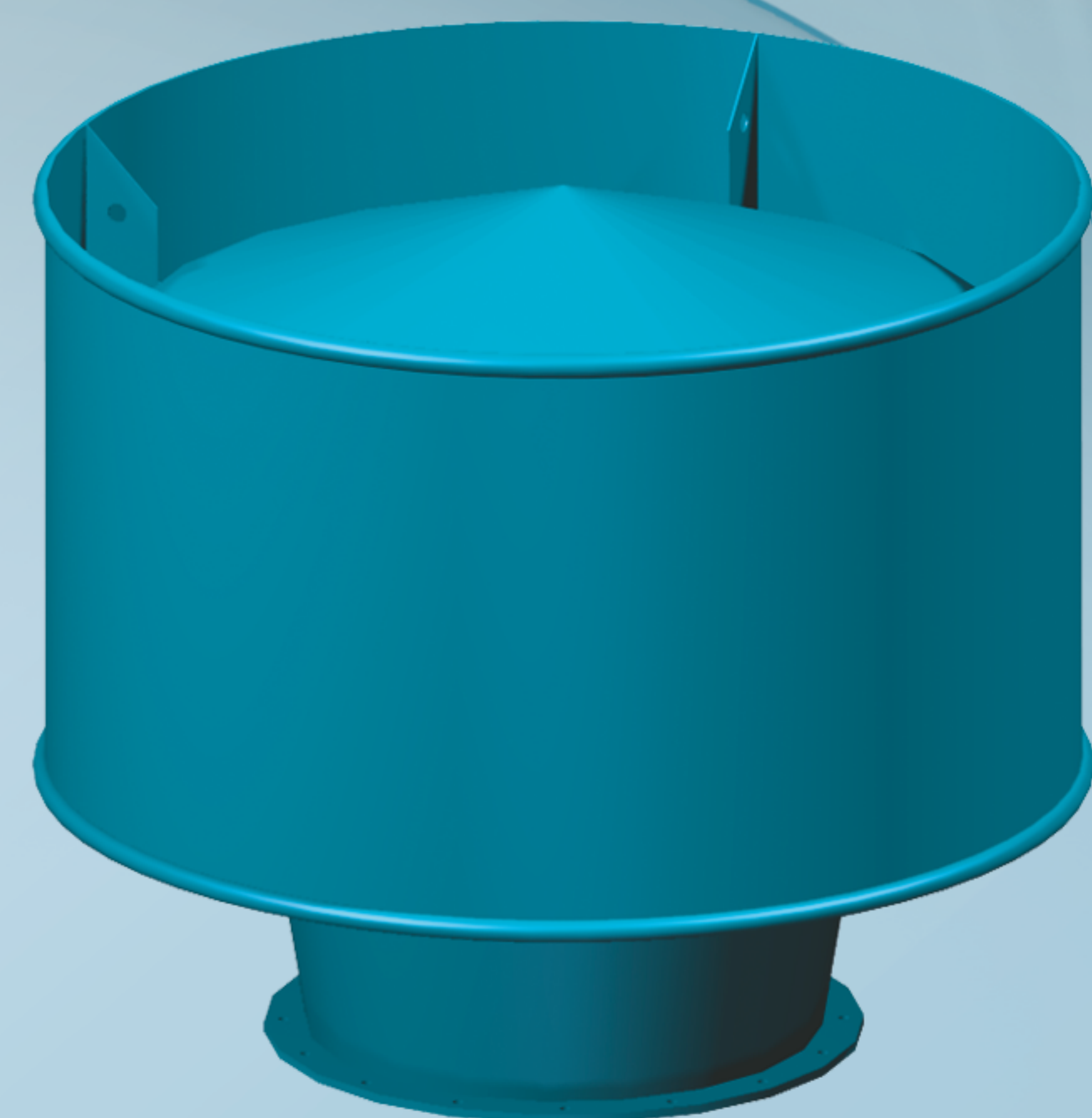
# ACCESSORIES

## HEADS

### APPLICATION

Supply and exhaust ventilation heads of DN-200<-1000 size may be used in ship's gravitational ventilation exhaust system as well as mechanical supply and exhaust systems, and in general-purpose systems. Ventilation heads w/o closure /type C/ with flange /version k/ is produced also for special orders with double number of holes /n/ in a flange, and also, a version w/o flange.

Anti-corrosion protection – hot zinc-galvanizing, special chemical-resistant vinylpainting system or other, as per customer's demand.

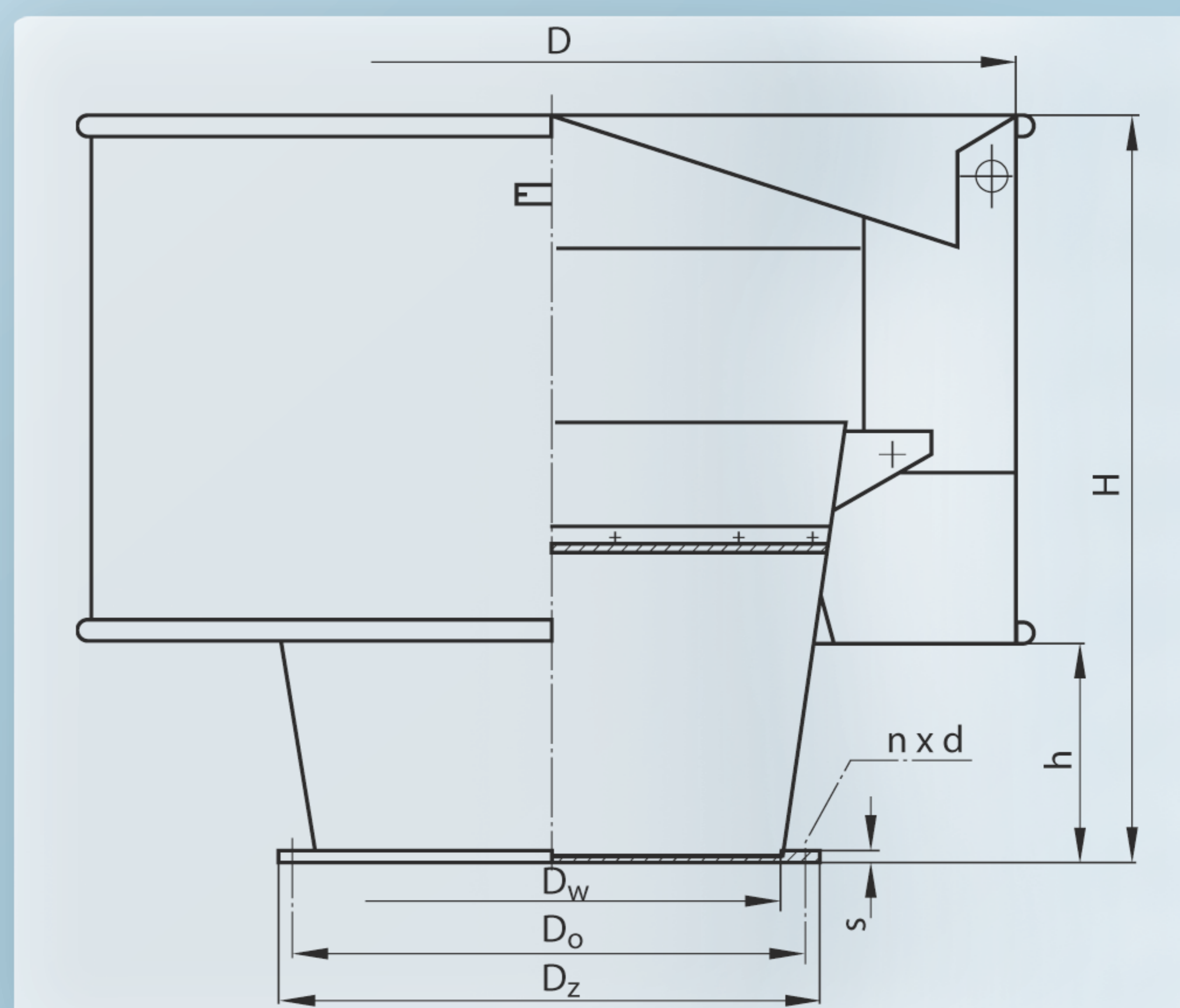


#### Marking example:

- C1k-400 Supply and Exhaust Ventilation Head
- supply and exhaust ventilation head w/o closure /type C/,
  - with flange /version k/,
  - with ordinary protection of one layer of woven screen, /type 1/,
  - of a nominal diameter DN400.

#### Resistance coefficient of head mounted at:

- the pressing side  $\xi = 0,07$
  - the suction side  $\xi = 0,81$
- dynamic pressure for Dw



Nominal diameters DN	Dimension[mm]								Number of holes [kg]	Weight [kg]
	Dw	D0	Dz	D	H	h	d	s		
200	200	260	290	400	340	100	12	6	8	
250	250	310	340	500	425	125		8		
315	315	370	405	630	535	145		10		
400	400	460	485	800	680	200		12		
500	500	560	585	1000	850	250	14	16	173	
630	630	695	730	1260	1070	315		12		
800	800	865	900	1600	1370	410		12		
1000	1000	1065	1100	2000	1700	500		32		



# NYBORG-MAWENT

NYBORG-MAWENT S.A. ul. Ciepla 6 82-200 Malbork  
 Tel.: +48 55 646 63 00 Fax: +48 55 646 63 09 E-mail: office@nyborg-mawent.com  
 www.nyborg-mawent.com

