

# ACCESSORIES

## KEO ROUND FLEXIBLE CONNECTIONS

### APPLICATION

KEO-8÷125 round flexible connections are meant for connecting the fans with ventilation ducts. They facilitate the assembly and reduce fan's vibrations, which could be transferred from the fan to the ventilation installation. Inert medium's temperature pressed by the fan with assembled flexible connections shall not exceed 353 K (80°C) and dust content shall not exceed 0,3 g/m<sup>3</sup> for standard version.

For different work conditions, please order special versions of flexible connections presented below:

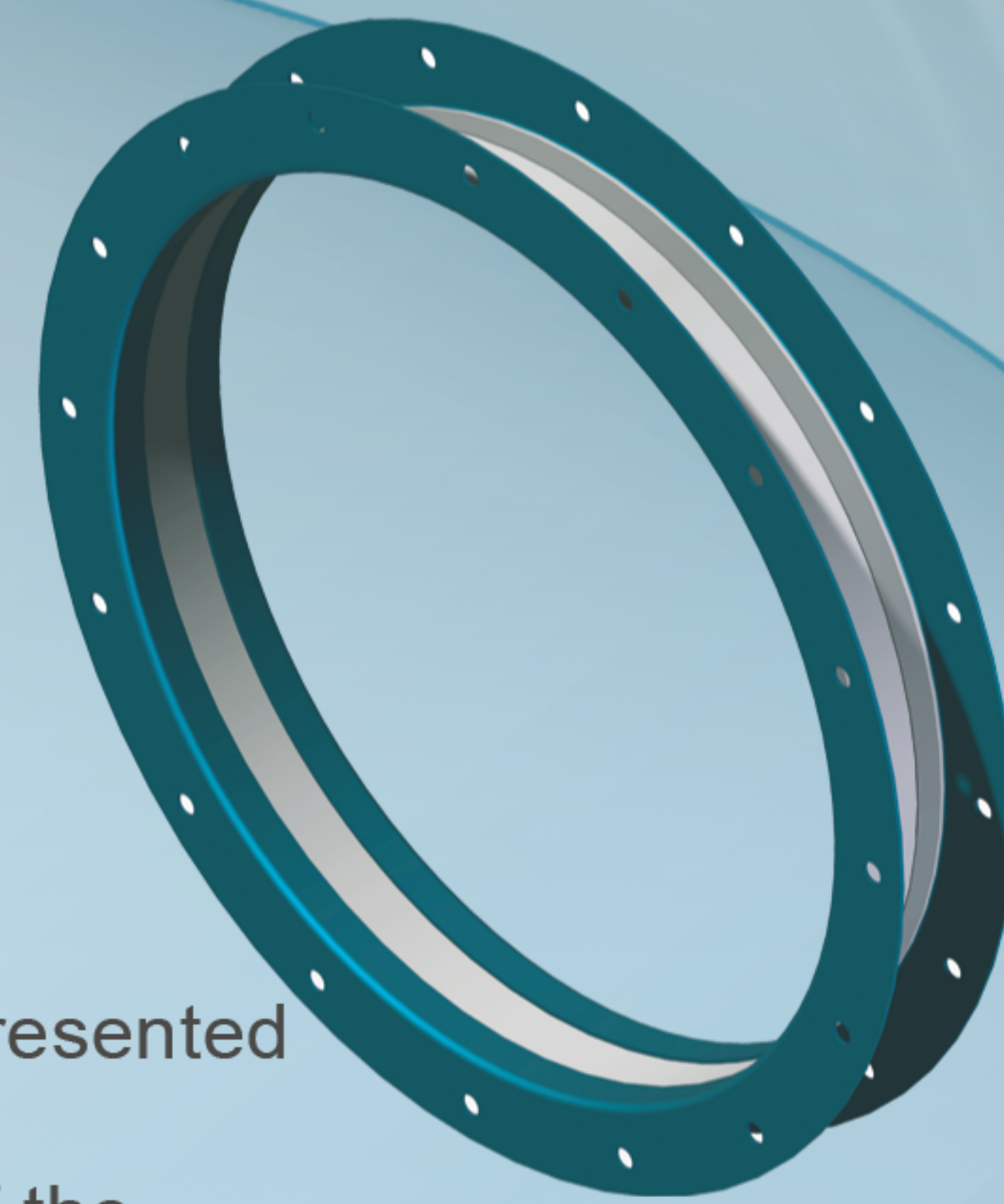
- corrosion-resistant for pressing media containing corrosion accelerating agents of the temperature not exceeding 353 K (80°C)
- heat-resistant for pressing inert media of the temperature up to 473 K (200°C)
- heat/corrosion-resistant for pressing media containing corrosion accelerating agents of the temperature not exceeding 473 K (200°C)

In your order you shall specify:

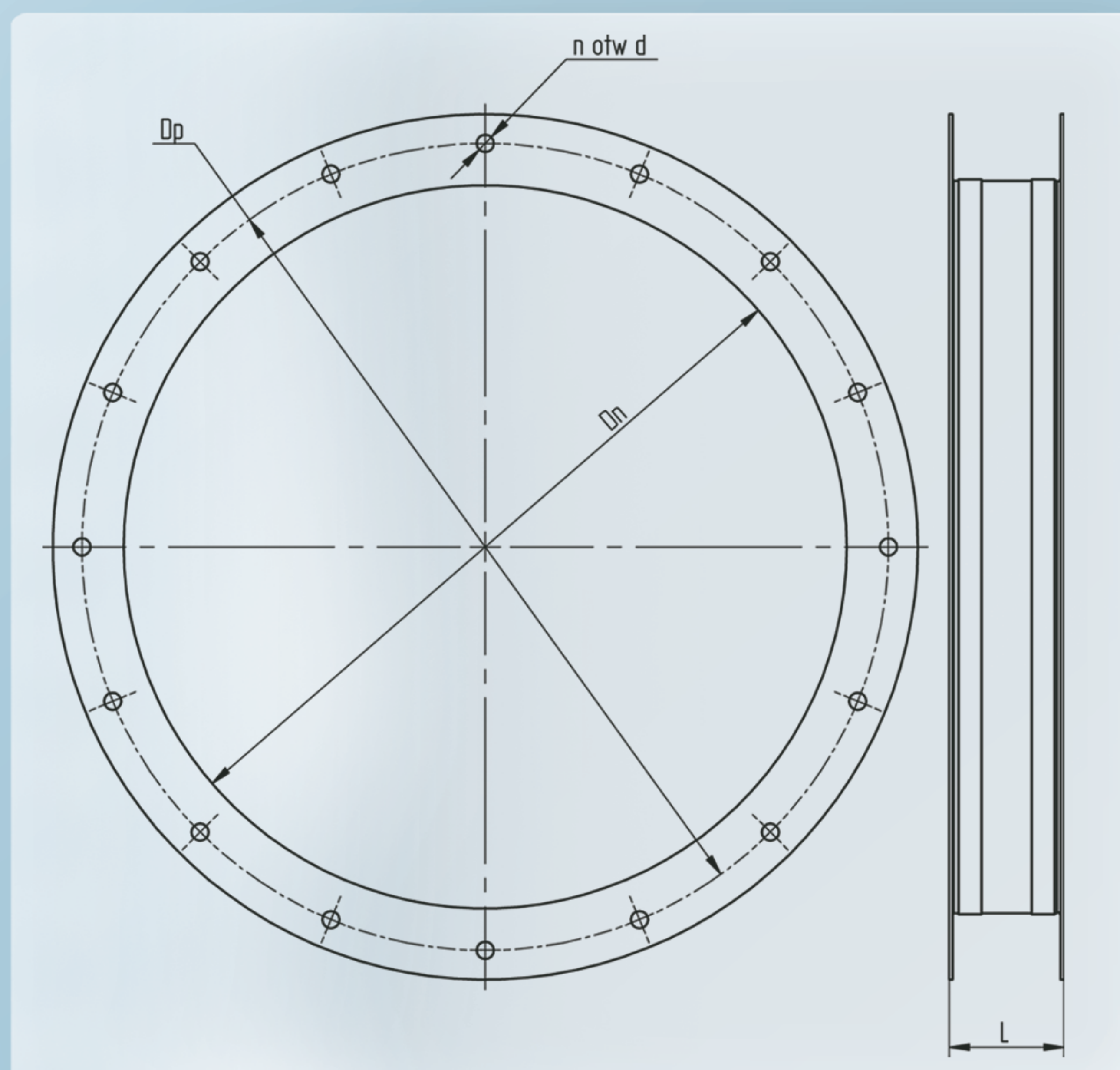
type and size of flexible connection (as per the table)

- version
- flange

Example: KEO-40 corrosion-resistant version with heavy flange



### TECHNICAL SPECIFICATION



## NYBORG-MAWENT

NYBORG-MAWENT S.A. ul. Ciepła 6 82-200 Malbork

Tel.: +48 55 646 63 00 Fax: +48 55 646 63 09 E-mail: office@nyborg-mawent.com  
www.nyborg-mawent.com





# ACCESSORIES – KEO ROUND FLEXIBLE CONNECTIONS

Type and size	Flange	Dimensions					Weight [kg]
		[mm]				[szt.]	
		D <sub>n</sub>	D <sub>p</sub>	L	d	n	
KEO-8	heavy	80	107	80	7	8	0,82
KEO-10	light	100	124				0,91
	heavy		127				1,20
KEO-12,5	light	125	149				1,08
	heavy		157				1,40
KEO-14	light	140	164				1,21
	heavy		172				1,58
KEO-16	light	160	184				1,33
	heavy		192				1,76
KEO-18	light	180	204				1,48
	heavy		219				1,94
KEO-20	light	200	224				1,17
	heavy		239				1,34
KEO-22,4	light	224	248				1,30
	heavy		263				1,51
KEO-25	light	250	274				1,45
	heavy		289				1,58
KEO-28	light	280	304				1,87
	heavy		326				2,50
KEO-31,5	light	315	339				2,94
	heavy		361	2,97			
KEO-35,5	light	355	387	3,69			
	heavy		401	3,90			
KEO-40	light	400	432	4,11			
	heavy		446	5,04			
KEO-45	light	450	482	4,98			
	heavy		523	8,15			
KEO-50	light	500	532	5,80			
	heavy		573	7,66			
KEO-56	light	560	592	6,11			
	heavy		633	9,94			
KEO-63	light	630	662	8,01			
	heavy		703	10,94			
KEO-71	light	710	742	8,37			
	heavy		783	13,52			
KEO-80	light	800	832	10,10			
	heavy		873	14,06			
KEO-90	light	900	944	12,92			
	heavy		973	16,75			
KEO-100	light	1000	1044	14,23			
	heavy		1073	19,10			
KEO-125	light	1250	1294	17,80			
	heavy		1343	25,20			

