

ACCESSORIES

SILENCERS

APPLICATION

Silencers without core of T-20+50 type and with core of TR-20+50 type are meant for the reduction of noise produced by axial flow and centrifugal fans and transmitted through ventilation installation. They can be mounted directly to axial-flow and suction cones of centrifugal fans and through profile adaptors to pressing stubs of centrifugal fans. They can be also mounted in the outlet ventilation ducts from ventilation rooms or sound absorbing fan casings. The silencers' series of types compose of:

- silencers without core of T-20+50 type with drills for light flange
- silencers without core of T-20+50 type with drills for heavy flange
- silencers with core of TR-20+50 type with drills for light flange
- silencers with core of TR-20+50 type with drills for heavy flange



Standard version silencers shall be applied if the temperature of pressed inert media does not exceed 353 K (80°C), and dust content is lower than 0,5 g/m³. We offer special versions as listed below:

- corrosion-resistant for pressing media containing corrosion accelerating agents. Medium's temperature may not exceed: 353 K (80°C)
- heat-resistant for pressing inert media of the temperature up to 523K (250°C)
- - heat/corrosion-resistant for pressing media containing corrosion accelerating agents of the temperature up to 523 K (250°C).

Silencers may operate in vertical and horizontal position and they do not require orientation towards the flow direction during the assembly.

Construction description

Noise silences comprise of appropriately shaped elements, made of steel, plain and perforated plates, covered with glass textile. The elements are filled with mineral wool. Anti-corrosion protection – depending on needs, they can be painted with general-purpose paints, thermal-resistant enamel, hot zinc-galvanized or painted with other types of paints, as per the customer's demand.

A marking example of core silencer of size 40 with drilling for a light flange: **TR-40 with light drilling**

Flow resistance coefficient, which is the relation of pressure loss Δp to dynamic pressure P_d for silencers without core of 25, 40, 50 and 31.5 mm size is 0.3; for silencers with core – 1.1. The silencer of size 20 has a higher flow resistance coefficient and for a silencer without core it is 0.7; with core – 1.4.



NYBORG-MAWENT

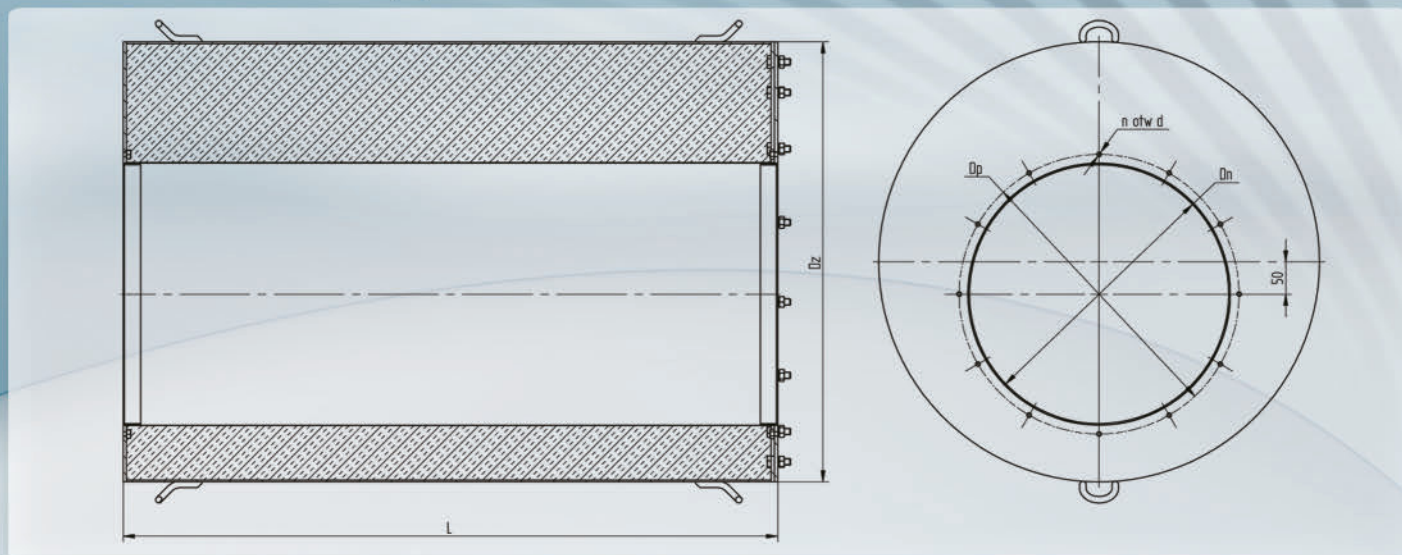
NYBORG-MAWENT S.A. ul. Ciepła 6 82-200 Malbork

Tel.: +48 55 646 63 00 Fax: +48 55 646 63 09 E-mail: office@nyborg-mawent.com
www.nyborg-mawent.com

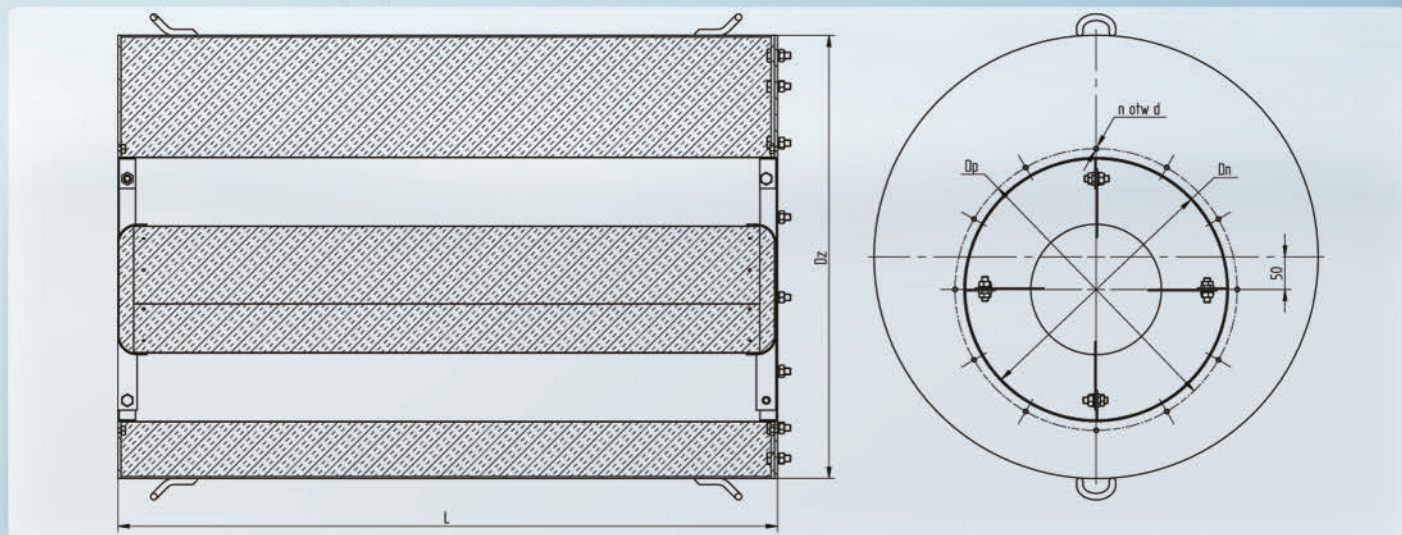


ACCESSORIES – SILENCERS

SILENCERS WITHOUT CORE (T)



SILENCERS WITH CORE (TR)



Silencer size of T and TR type	D _n	L	D _z	Drilling under flanges				Weight	
				Type of drilling	n	D _p	d	with core	without core
					[szt.]	[mm]		[kg]	
20	200	512	480	lekki	8	224	M6	43	41
			ciężki	239		M8			
25	250	637	530	lekki		274	M6	57	54
			ciężki	289		M8			
31,5	315	797	595	lekki	12	339	M6	78	72
			ciężki	391		M10			
40	400	1012	680	lekki	16	432	M8	110	101
			ciężki	446		M10			
50	500	1012	796	lekki		532	M8	131	119
						573			
56	560	1409	846	ciężki	20	633	M12	167	152
63	630	1584	916			703		201	183
71	710	1784	996			783		243	219
80	800	2009	1106			873		306	275
100	1000		1306	24	1073	372	330		

Following shall be given when ordering:

- the type,
 - size of silencer,
 - drilling for light/heavy flange,
- and, additionally, for special versions you shall specify
- corrosion-resisting version,
 - heat/corrosion-resistant.

