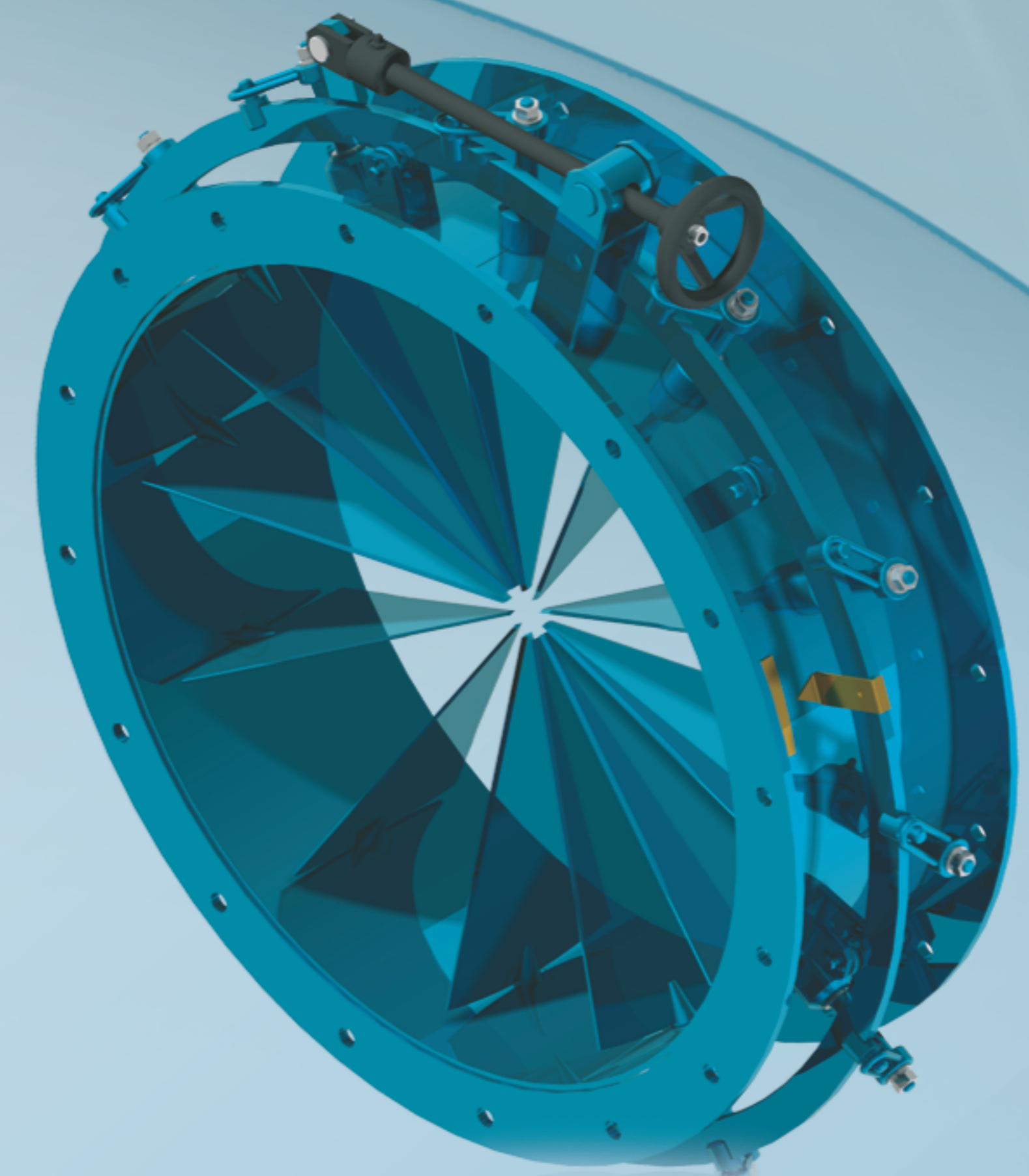


# ACCESSORIES

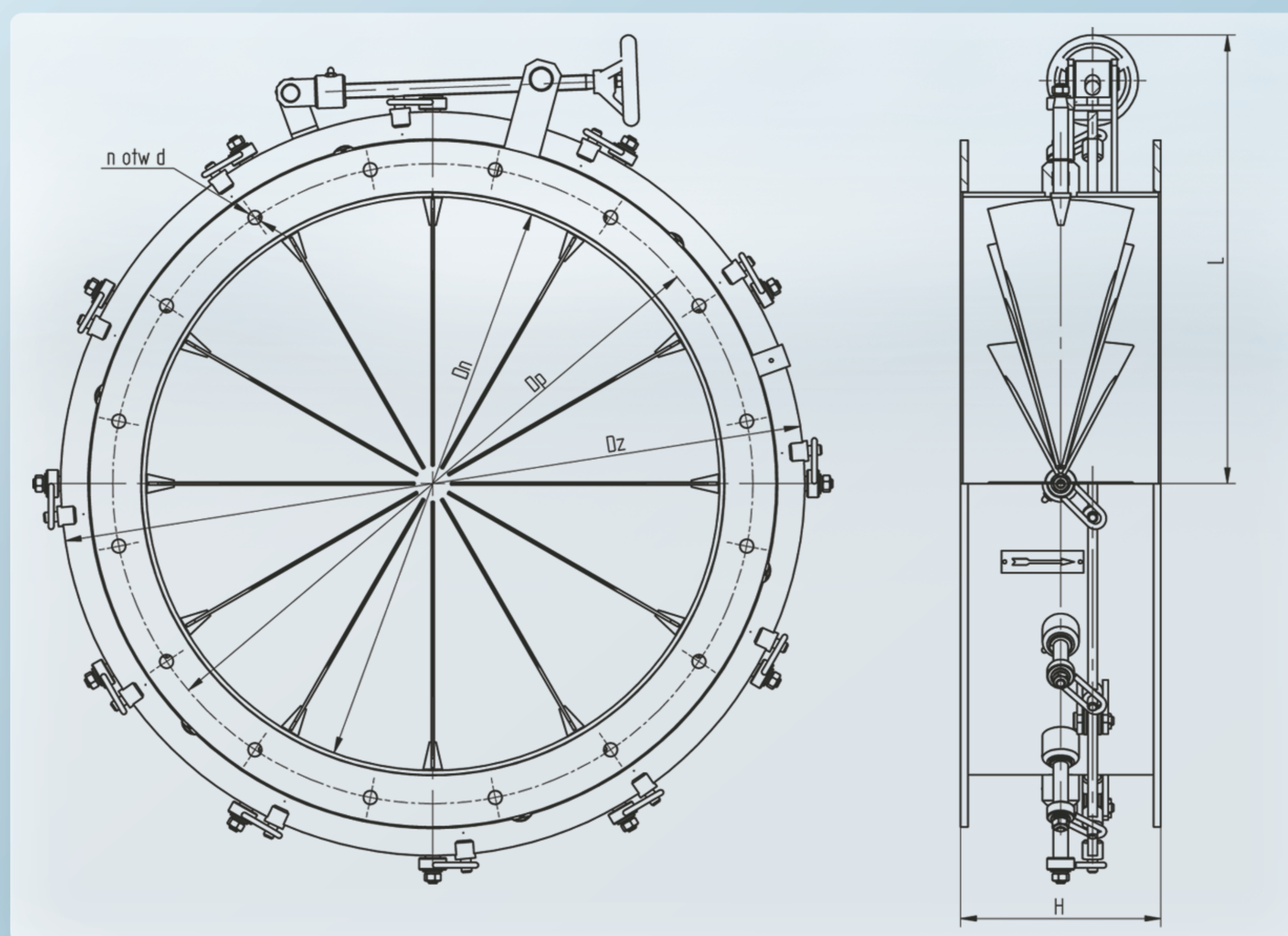
## REGULATING DAMPERS

### APPLICATION

Regulating dampers are installed on fan inlet and are applied for regulating of air amount, or as axial cut off damper. Regulating of blades position is performed manually or by servomotor. Obtainable sizes are: A-40, A-50, A-56, A-63, A-80, A-100 and A-125 with heavy or light drilled flanges of body. The dampers are made of standard carbon steel and prior to agreements – stainless steel. Anticorrosion protection – chemical-resistant paints or per customer's demands.



### REGULATING DAMPERS A-31,5 – MANUALLY CONTROLLED



Type	Flange	D	D <sub>p</sub>	D <sub>z</sub>	H	L	d	n	Weight
		[mm]						[szt.]	[kg]
A-31,5	light	315	339	-	160	-	7	8	-
	heavy		361	399		300	12		25,1
A-40	light	400	432	454	180	355	10	12	27,4
	heavy		446	484		365	12		30,3
A-50	light	500	532	556	200	400	10	16	34,0
	heavy		573	622		430	15		47,2
A-56	light	560	592	622	210	430	10	16	40,3
	heavy		633	684		465	15		52,3
A-63	light	630	662	692	220	465	10	20	45,6
	heavy		703	754		500	15		58,3
A-71	heavy	710	783	830	207	534	15	20	60,0
A-80	heavy	800	873	924	224	585	15	24	58,3
A-100	heavy	1000	1073	1124	280	685	15	24	108
A-125	heavy	1250	1343	1384	330	-	18	28	370



## NYBORG-MAWENT

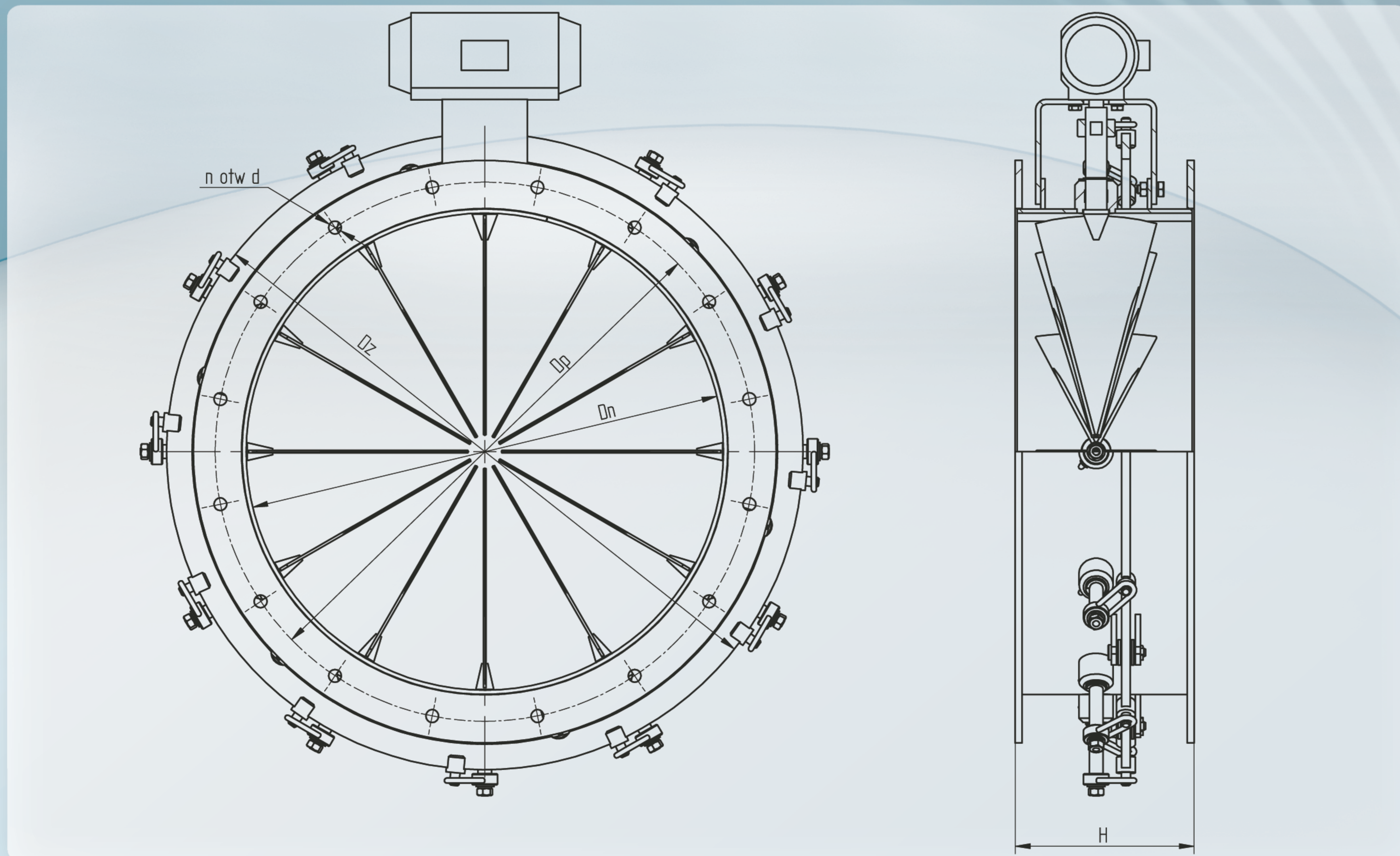
NYBORG-MAWENT S.A. ul. Ciepła 6 82-200 Malbork

Tel.: +48 55 646 63 00 Fax: +48 55 646 63 09 E-mail: office@nyborg-mawent.com  
www.nyborg-mawent.com



# ACCESSORIES – REGULATING DAMPERS

## REGULATING DAMPERS A-31,5+125 CONTROLLED BY SERVOMOTOR



Type	Flange	D	D <sub>p</sub>	D <sub>z</sub>	H	d	n	Weight
		[mm]				[szt.]	[kg]	
A-31,5	light	315	339	-	160	7	8	-
	heavy		361	399		12		-
A-40	light	400	432	454	180	10	12	-
	heavy		446	484		12		-
A-50	light	500	532	556	200	10	16	-
	heavy		573	622		15		-
A-56	light	560	592	622	210	10		-
	heavy		633	684		15		-
A-63	light	630	662	692	220	10	20	-
	heavy		703	754		15		-
A-71	heavy	710	783	830	207	15	20	-
A-80	heavy	800	873	924	224	15	24	-
A-100	heavy	1000	1073	1124	280	15	28	-
A-125	heavy	1250	1343	1384	330	18	28	-

Please put following data in purchase order:

- direction of impeller revolutions: right (RD) or left (LG)
- execution: standard (to 40°C), heat resistant (41÷350 °C), corrosion resistant (to 300°C)
- flange: light, heavy