



NYBORG - MAWENT



CENTRIFUGAL FANS RE

Nyborg-Mawent S.A.
ul. Ciepła 6, 82-200 Malbork, Poland

tel: +48 55 646 63 00
fax: +48 55 646 63 09
www.nyborg-mawent.com
office@nyborg-mawent.com



APPLICATION:

Centrifugal fans RE7 are intended for transport of air which temperature may not exceed 250°C. It is used in closed spaces, furnaces, tunnel furnaces, powder paint shops as well as dryer chambers. In standard the pressed agent must not contain any corrosive or explosive components. Allowable dust content is 0,3g/m³.

CONSTRUCTION:

Main elements of the set such as: impeller, casing, base frame are made of standard steel of ordinary quality. In corrosion and heat-corrosion resistant executions the impeller and casing are made of steel with increased resistance to corrosion. On client's request other kinds of steel can be used.

DRIVE:

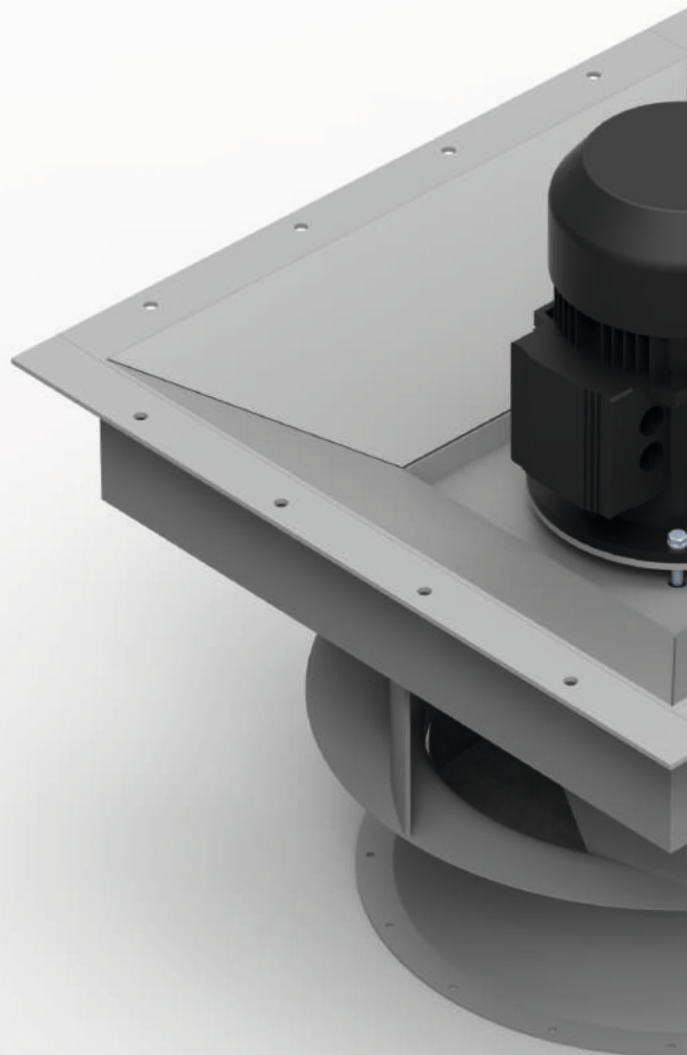
Direct drive (1) – up to 250°C

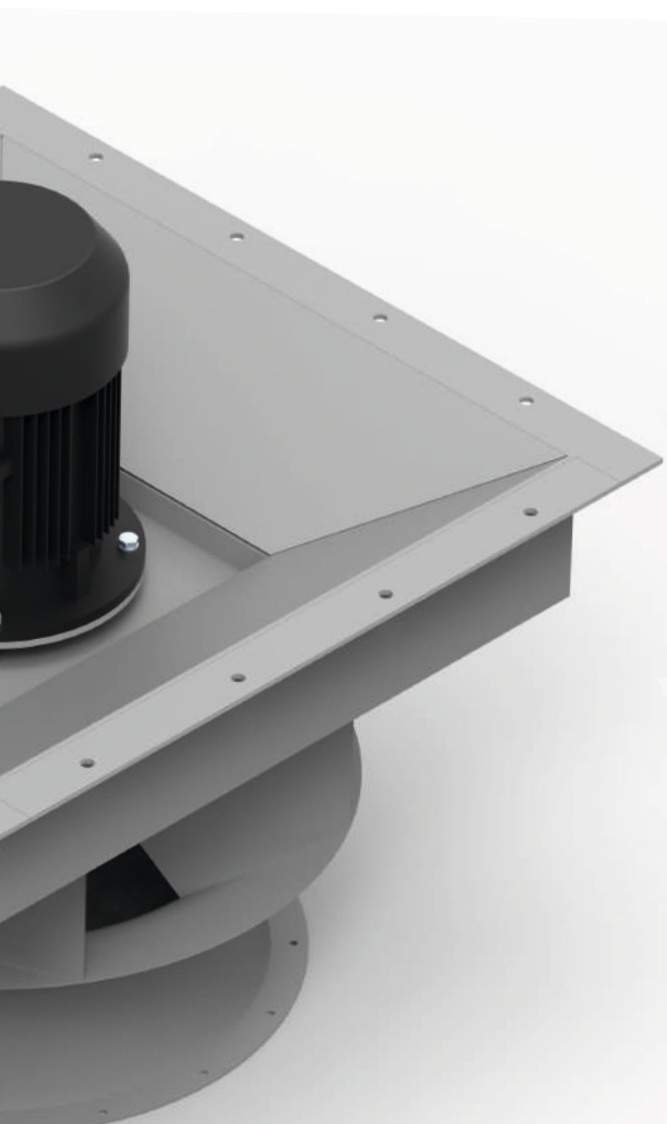
PROTECTION AGAINST CORROSION:

- In standard execution – painting with protective paint containing zinc powder.

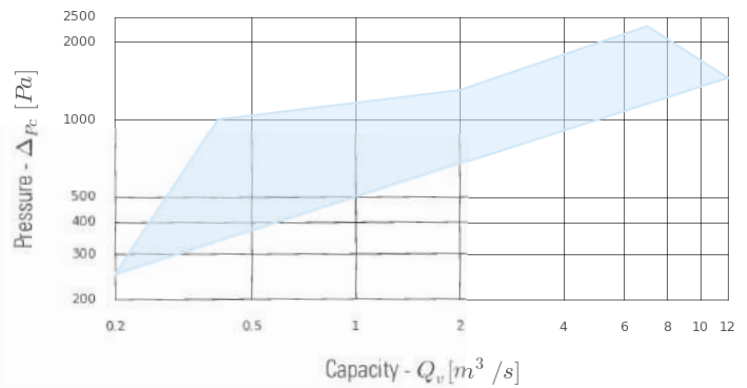
MOTOR:

In standard the fans are driven by three-phase electric motors in IP55 execution, insulation class F, from world-renown producers. Ambient temperature must not exceed 40°C. Motors for special execution available on Client's demand.





WORKING FIELD OF THE FAN:



ATEX:

Due to high temperature of pressed medium fans for potentially explosive area are not in scope of our supply.

MOUNTING POSITION:

Recommended working position is vertical with motor's spigot directed downwards (IMV1)

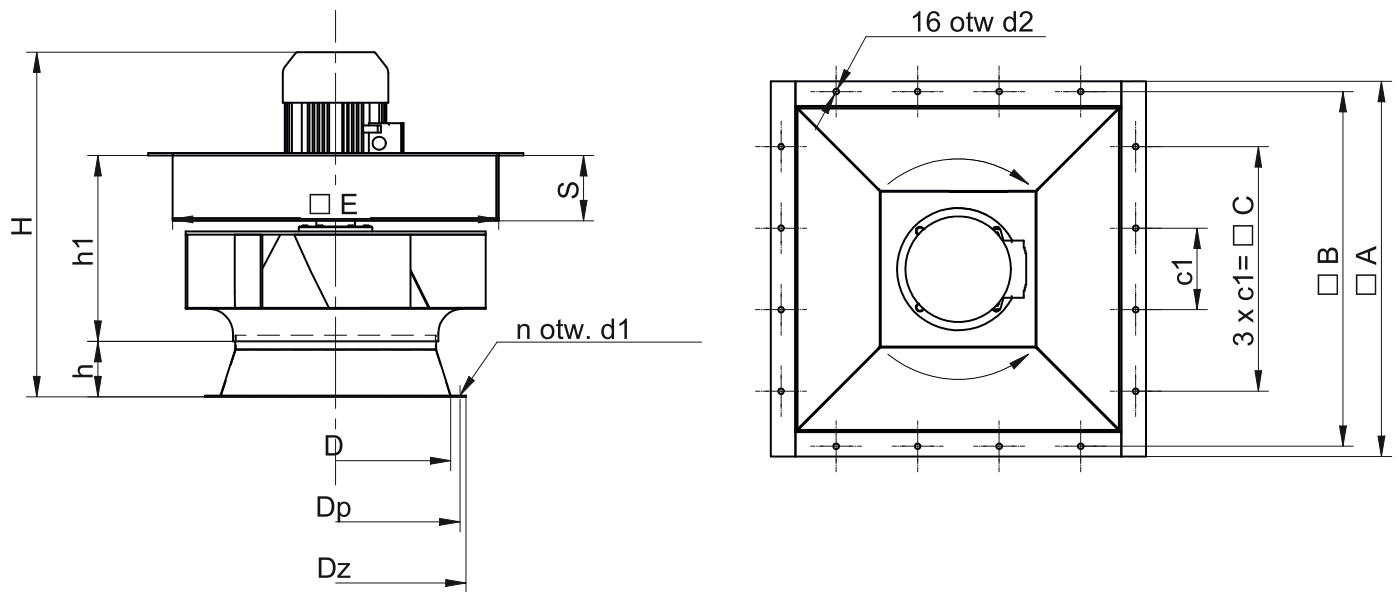
Vertical execution with spigot directed upwards (IMV3) and horizontal mounting position (IMB5) are available on customer's special request.

ACCESSORIES:

Available accessories used for our fans are included in Fan's Accessories Catalogue.

Due to constant improvement of our products we reserve the possibility of design changes which will increase their advantages and safety. Given dimensions are visual, we reserve the possibility of changes.

TECHNICAL DATA

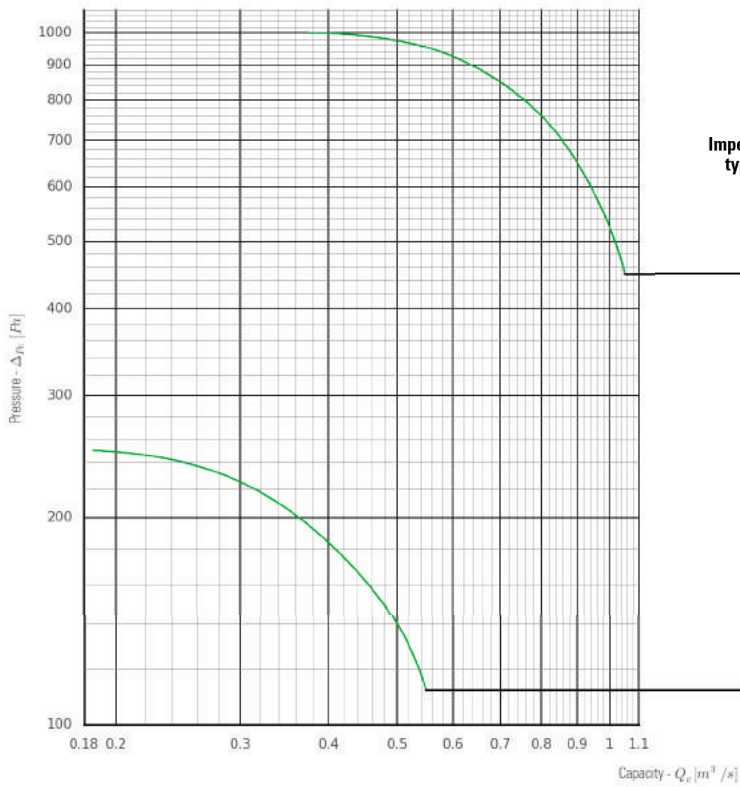


Visual drawing. We reserve the right to implement changes.

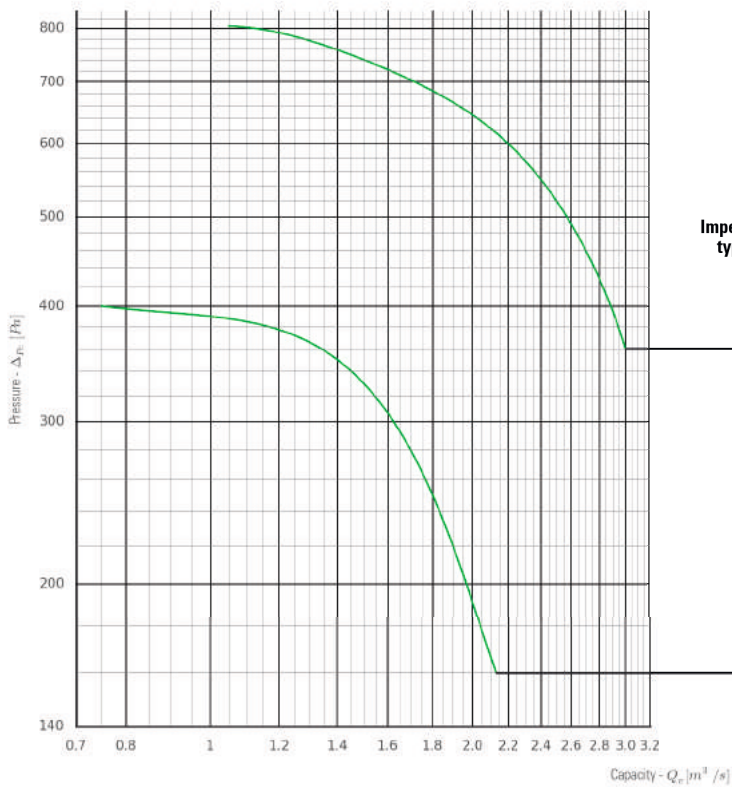
FAN TYPE RE7

FAN TYPE	Motor power	A	H	h1	h	S	E	B	C	c1	D	Dp	Dz	n	d1	d2	Fan weight
	[kW]	[mm]													szt.	[mm]	[kg]
RE7 250	0,25	710	620	300,5	241,5	160	620	660	600	200	250	300	330	8	8	10	66,5
	11		650														71
RE7 450	1,5	710	598	401	90	160	589	660	600	200	455	500	530	12	8	14	97
	3		596														102
RE7 560	4	860	774	456	131	160	739	810	600	200	560	610	640	16	8	14	157
	5,5		874														169
WC 63	22	980	1198	533	186	160	842	910	750	250	630	703	756	16	12	12	359

FLOW CHARACTERISTICS

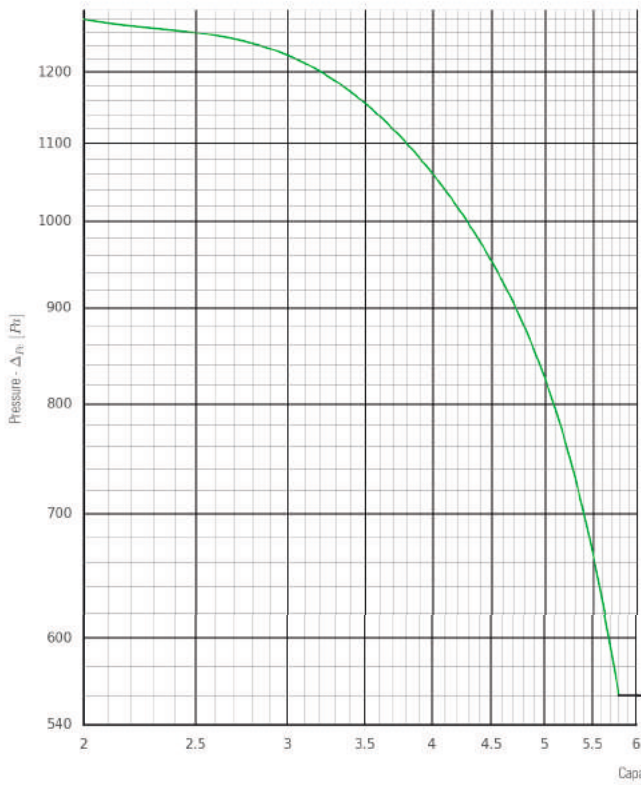


RE7-250					
Impeller type	Impeller rotational speed [obr./min]	Power consumption [kW]	Acoustic pressure speed [dB (A)]	Motor	Motor power [kW]
	1380	0,23	65	71-4A	0,25
	2760	1,00	80	80-2B	1,1



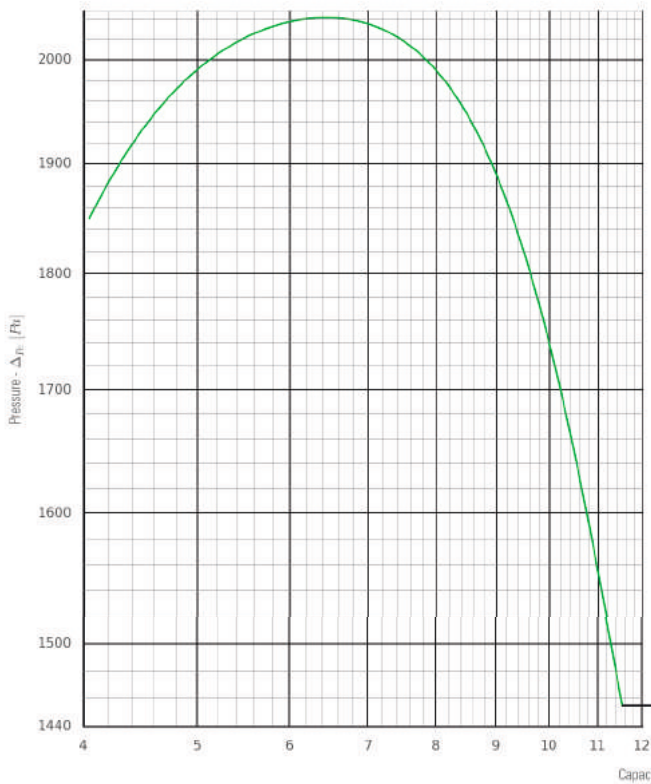
RE7-450					
Impeller type	Impeller rotational speed [obr./min]	Power consumption [kW]	Acoustic pressure speed [dB (A)]	Motor	Motor power [kW]
	1415	2,85	82	100L-4B	3
	945	1,42	73	100L-6	1,5

FLOW CHARACTERISTICS



RE7-560

Impeller type	Impeller rotational speed	Power consumption	Acoustic pressure speed	Motor	Motor power
	[obr./min]	[kW]	[dB (A)]		[kW]
	1450	5,5	89	132S-4	5,5



WC-63

Impeller type	Impeller rotational speed	Power consumption	Acoustic pressure speed	Motor	Motor power
	[obr./min]	[kW]	[dB (A)]		[kW]
	1460	19,2	96	180L4	22

NYBORG - MAWENT

The image features three 3D CAD models of industrial machinery components, arranged in a triangular pattern. The top-left model is orange and shows a cylindrical component mounted on a base. The bottom-left model is grey and shows a similar cylindrical component on a base. The bottom-right model is blue and shows a similar cylindrical component on a base. The models are rendered with soft shadows and highlights, giving them a realistic appearance.

Nyborg-Mawent S.A.
ul. Ciepła 6, 82-200 Malbork, Poland

tel: +48 55 646 63 00
fax: +48 55 646 63 09
www.nyborg-mawent.com
office@nyborg-mawent.com