



NYBORG - MAWENT



CENTRIFUGAL FANS WPSS

Nyborg-Mawent S.A.
ul. Ciepła 6, 82-200 Malbork, Poland

tel: +48 55 646 63 00
fax: +48 55 646 63 09
www.nyborg-mawent.com
office@nyborg-mawent.com



APPLICATION:

Centrifugal WPSS fans are intended for pressing of agent with increased level of dust in general ventilation systems and process lines. Allowable dust content must not exceed 3g/m³.

CONSTRUCTION:

Main elements of the set such as: impeller, casing, base frame are made of standard steel of ordinary quality. In corrosion and heat-corrosion resistant executions the impeller and casing are made of steel with increased resistance to corrosion. On client's request other kinds of steel can be used.

DRIVES:

- Direct drive (1) – up to 80°C
- Direct drive-C* (1) – up to 220°C
- Indirect coupling drive (4) – up to 350°C

*In case of heat-resistant execution up to 220°C in direct drive (1) please contact our sales department.

PROTECTION AGAINST CORROSION:

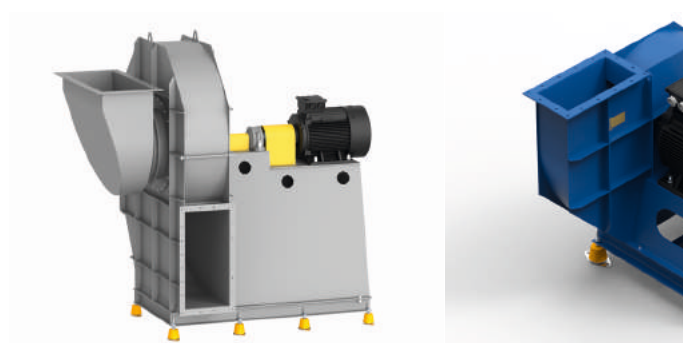
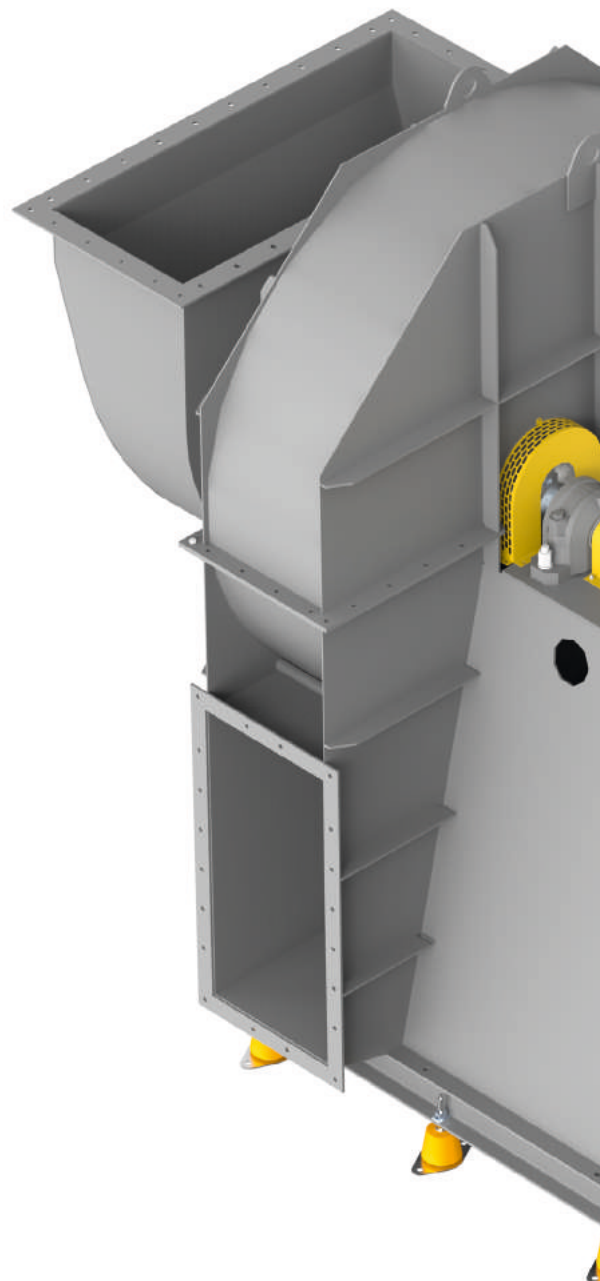
- Standard execution - painting with standard set of paints, C3 class, RAL 5009,
- Heat resistant execution - painting with a set of paints resistant to heat up to 350°C

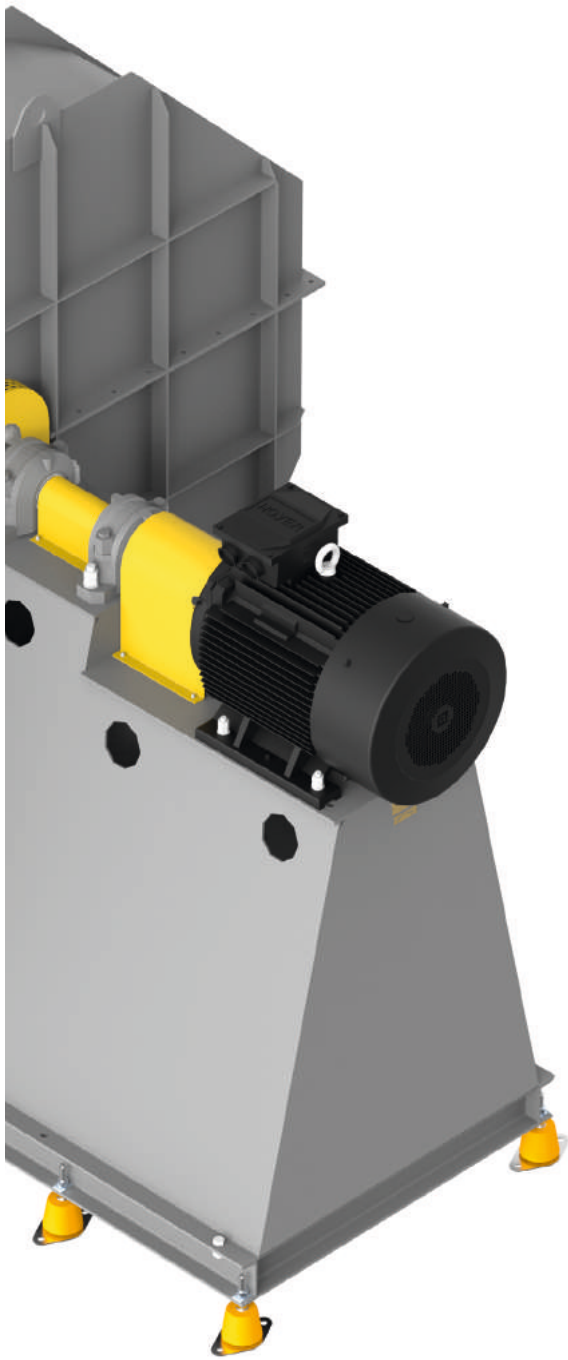
Options: hot deep galvanizing, acid treatment, passivation, glass blasting, chemo-resistant painting and in C4 and C5 classes on Client's request

MOTOR:

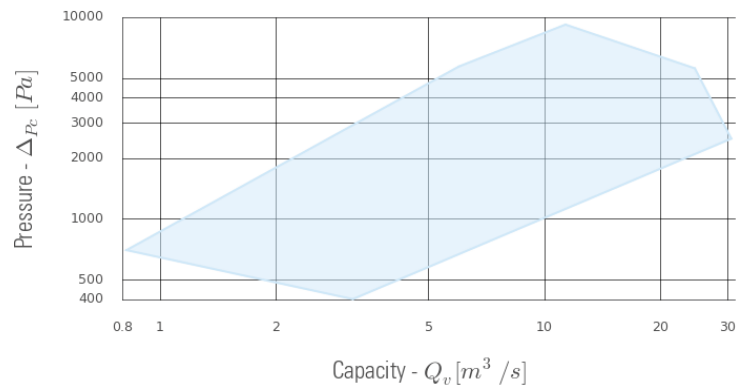
In standard the fans are driven by three-phase electric motors in IP55 execution, insulation class F, from world-renown producers. Ambient temperature must not exceed 40°C.

Motors for special execution available on Client's demand.





WORKING FIELD OF THE FAN:



ATEX:

The explosion-proof fans are meant for operation in potentially explosive areas according to ATEX 94/9/WE directive.

Available executions:

- Zones 2 and 1 for gases (3G/2G)
- Zones 22 and 21 for dusts (3D/2D)

MOUNTING POSITIONS:

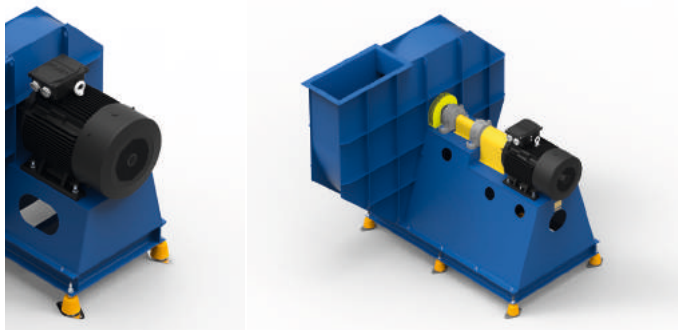
Each size of fan is produced with 8 locations of fan's outlet:

- Right: RD0, RD90, RS180, RD270
- Left: LG0, LG90, LG180, LG270

Other mounting positions available after contact with sales department.

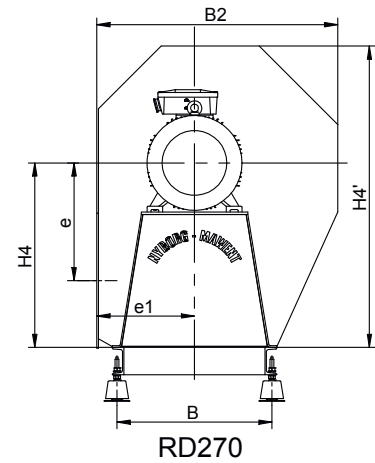
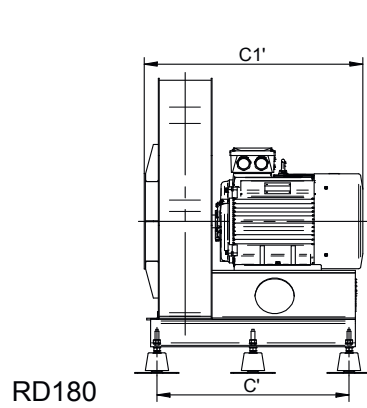
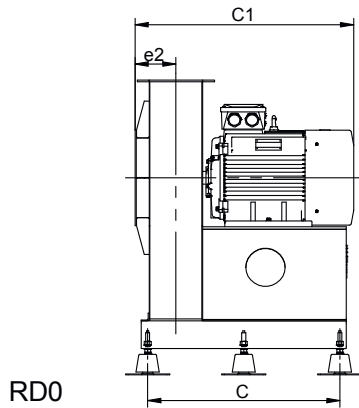
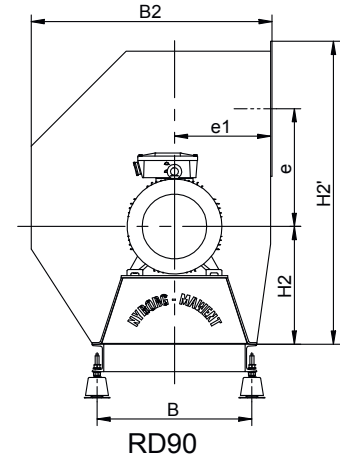
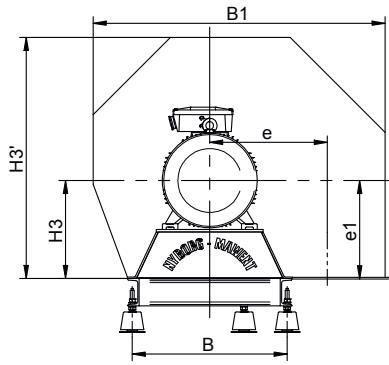
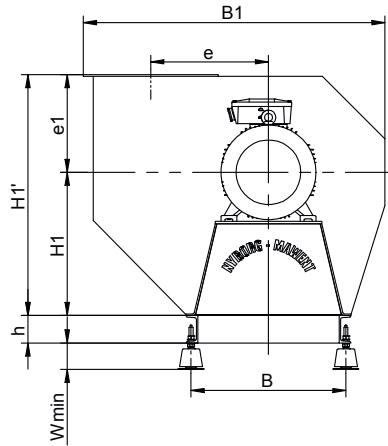
ACCESSORIES:

Available accessories used for our fans are included in Fan's Accessories Catalogue.



Due to constant improvement of our products we reserve the possibility of design changes which will increase their advantages and safety. Given dimensions are visual, we reserve the possibility of changes.

TECHNICAL DATA

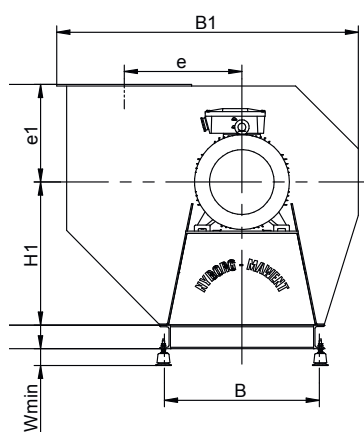


The drawing presents the fan in RD mounting position, LG is its mirror reflection.
Visual drawing. We reserve the right to implement changes.

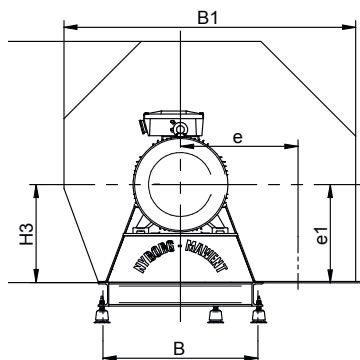
FAN TYPE WPSS 40-80 WITH DIRECT DRIVE (NAP.1)

ZWPSS	Fan width	Motor power [kW]	Motor size	e	e1	e2	H1	H2	H3	H4	H1'	H2'	H3'	H4'	h	W [min]	B	B1	B2	C	C1	C'	C1'	Fan weight [kg]
[mm]																								
40	1,4	3	100L2-4	435	391	206	600	480	410	750	991	1220	980	1215	120	90	670	1205	961	688	966	810	966	190
		18,5	160L-2																	1050	1050	270		
	1,8	3	132 S-6	600	498	210	730	600	500	940	1228	1545	1232	1536	120	95	800	1540	1228	688	966	810	966	200
		75	280S-2																	980	1180	1100	1180	650
50	1,4	2,2	112M1-6	556	483	236	720	600	500	920	1203	1520	1210	1498	120	90	800	1490	1193	1000	1079	1120	1079	460
		7,5	132M2-4																	1000	1079	1120	1079	500
	1,8	4	160M1-8	750	613	250	910	750	613	1180	1523	1920	1518	1920	120	85	916	1910	1518	1000	1079	1120	1079	490
		11	160L-6																	1000	1079	1120	1079	500
30		200L-4	1000																	1079	1120	1079	550	
63	1,6	11	180L-8	945	768	296,5	1150	930	770	1470	1918	2390	1915	2395	140	135	1208	2384	1913	1270	1300	1390	1300	1320
		22	200L2-6																	1300	1390	1300	1350	
		75	280S-4																	1393	1393	1650		
	1,8	11	180L-8	945	768	296,5	1150	930	770	1470	1918	2390	1915	2395	140	135	1208	2384	1913	1270	1300	1390	1300	1350
30		225M-6	1300																	1390	1300	1350		
71	1,8	90	280M-4	1065	860	360	1275	1035	860	1650	2135	2665	2122	2681	140	135	1208	1989	2705	1322	1384	1450	1348	1300
		22	225M-8																	1322	1384	1450	1348	1500
80	1,8	45	280S-6	1200	978	370	1460	1190	980	1850	2438	3026	2430	3030	160	135	1200	3066	2520	1390	1538	1510	1538	2400
		37	280S-8																	1390	1538	1510	1538	2800
		90	315M-6																	1480	1821	1610	1821	2800

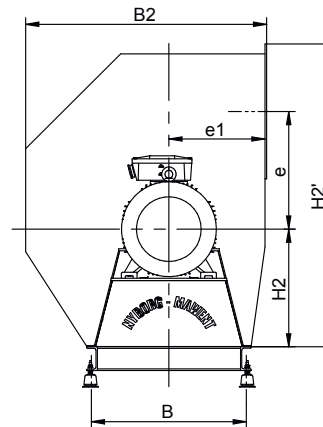
TECHNICAL DATA



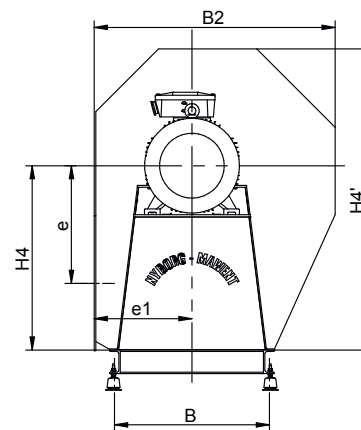
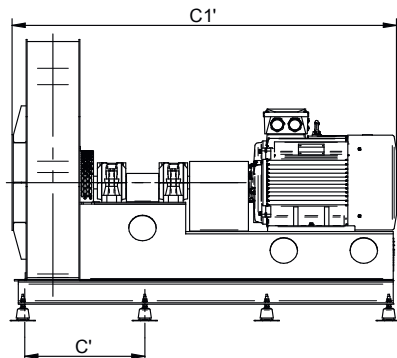
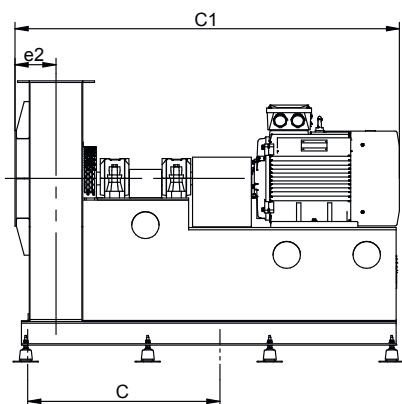
RD0



RD180



RD90



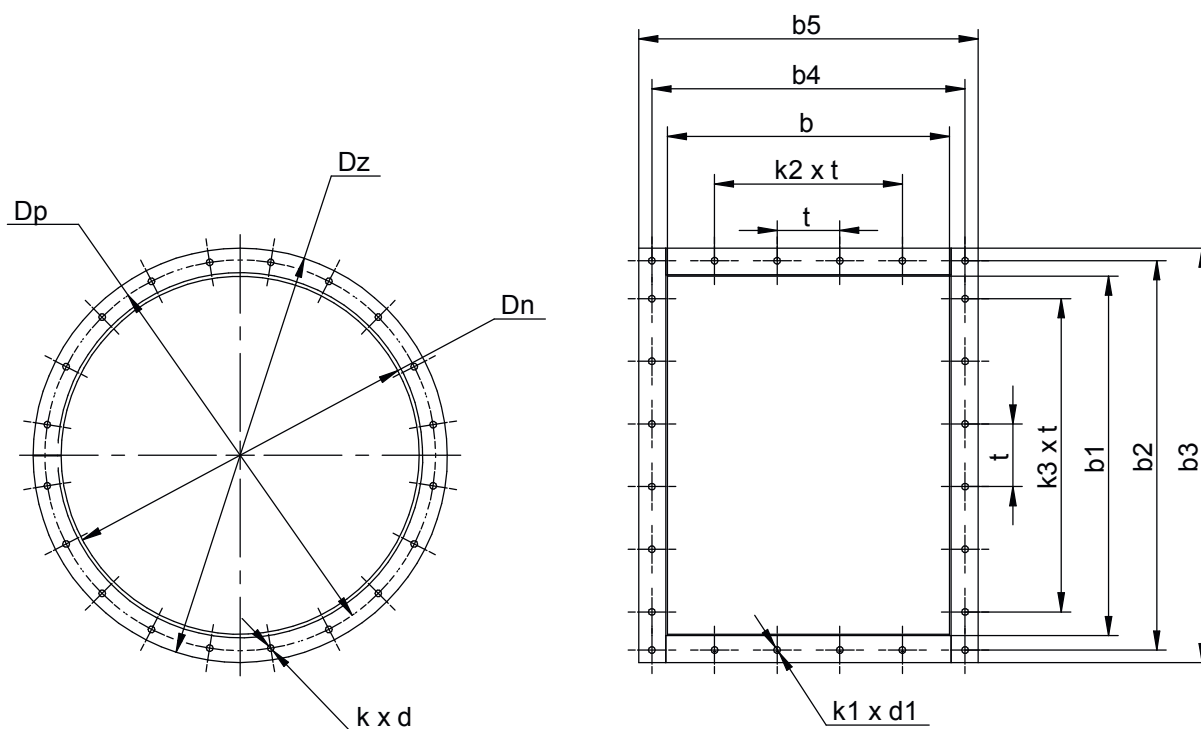
RD270

The drawing presents the fan in RD mounting position, LG is its mirror reflection.
Visual drawing. We reserve the right to implement changes.

FAN TYPE WPSS 40-100 WITH COUPLING DRIVE (NAP.4)

ZWPSS	Fan width	Motor power [kW]	Motor size	e	e1	e2	H1	H2	H3	H4	H1'	H2'	H3'	H4'	h	W [min]	B	B1	B2	C	C1	C'	C1'	Fan weight [kg]
[mm]																								
40	1,4	3	100L2-4	435	391	206	600	480	410	750	991	1220	980	1215	120	90	670	1205	961	1110	1268	1231	1268	512
		18,5	160L-2																	1360	1570	1481	1570	529
		3	132 S-6																	1117	1298	1238	1298	547
	1,8	11	160M-4	600	498	210	730	600	500	940	1228	1545	1232	1536	120	95	800	1540	1228	1230	1472	1351	1472	579
		75	280S-2																	1718	2082	1839	2082	964
		2,2	112M1-6																	1314	1482	1435	1482	580
50	1,4	7,5	132M2-4	556	483	236	720	600	500	920	1203	1520	1210	1498	120	90	800	1490	1193	1414	1630	1535	1630	632
		4	160M1-8																	1586	1826,5	1707	1826,5	902
		11	160L-6																	1690	1926,5	1811	1926,5	1050
	1,8	30	200L-4	750	613	250	910	750	613	1180	1523	1920	1518	1920	120	85	916	1910	1518	2065	2061	2065	1480	
		11	180L-8																	1940	2245	2061	2245	1661
		22	200L2-6																	2110	2441	2231	2441	1800
63	1,6	75	280S-4	945	768	296,5	1150	930	770	1470	1918	2390	1915	2395	140	135	1208	2384	1913	1840	2065	1961	2065	1480
		11	180L-8																	1940	2245	2061	2245	1661
	1,8	30	225M-6	945	768	296,5	1150	930	770	1470	1918	2390	1915	2395	140	135	1208	2384	1913	2110	2450	2231	2450	1988
		90	280M-4																	1989	2331	2010	2331	2025
71	1,8	22	225M-8	1065	860	360	1275	1035	860	1650	2135	2665	2122	2681	140	135	1208	1989	2705	2151	2487	2272	2487	2365
		45	280S-6																	2160	2525	2281	2525	2730
80	1,8	37	280S-8	1200	978	370	1460	1190	980	1850	2438	3026	2430	3030	160	135	1200	3066	2520	2304	2695	2425	2695	2971
		90	315M-6																	3500	3500	3500	4700	
100	1,8	132	355M1-8	1501	1223	437	1820	1480	1223	2310	3034	3778	3036	3785	200	135	1500	3827	3083	3420	3706	3545	3706	5100
		315	400M1-6																	3706	3706	3706	5100	

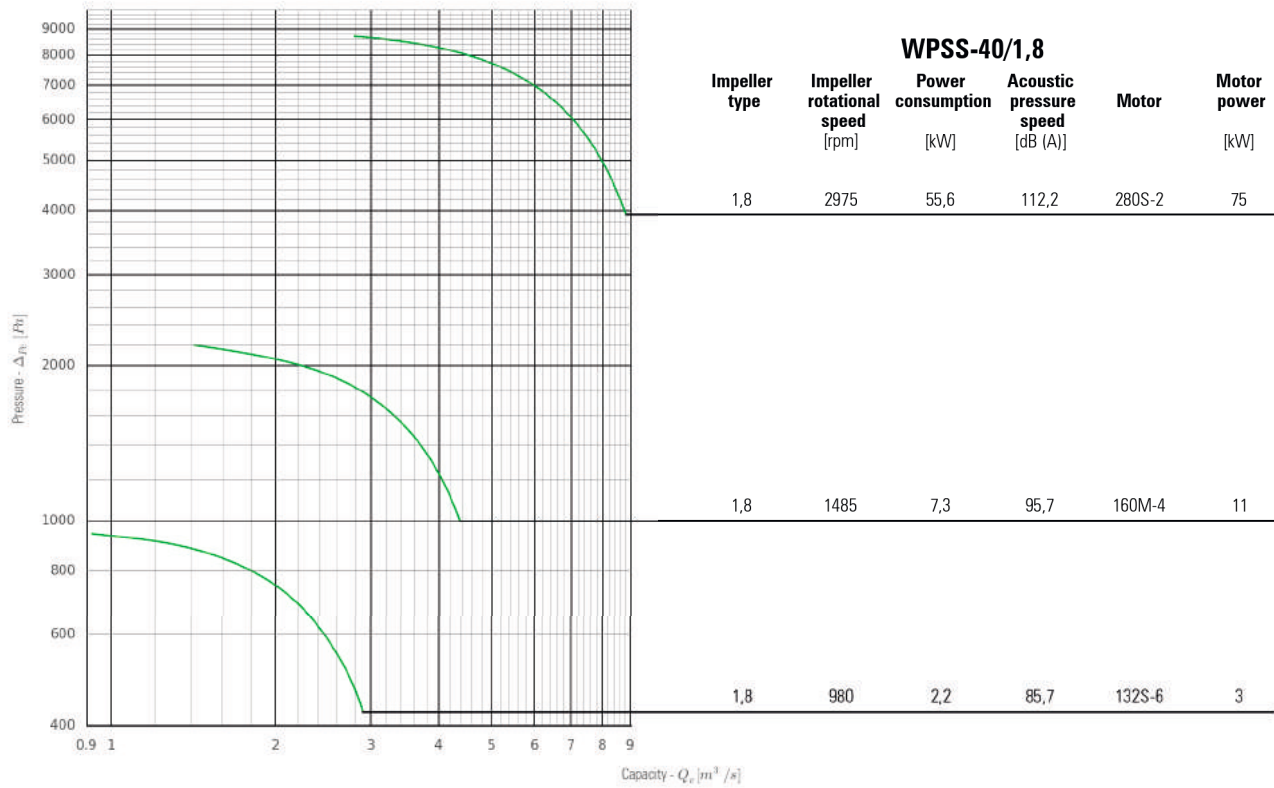
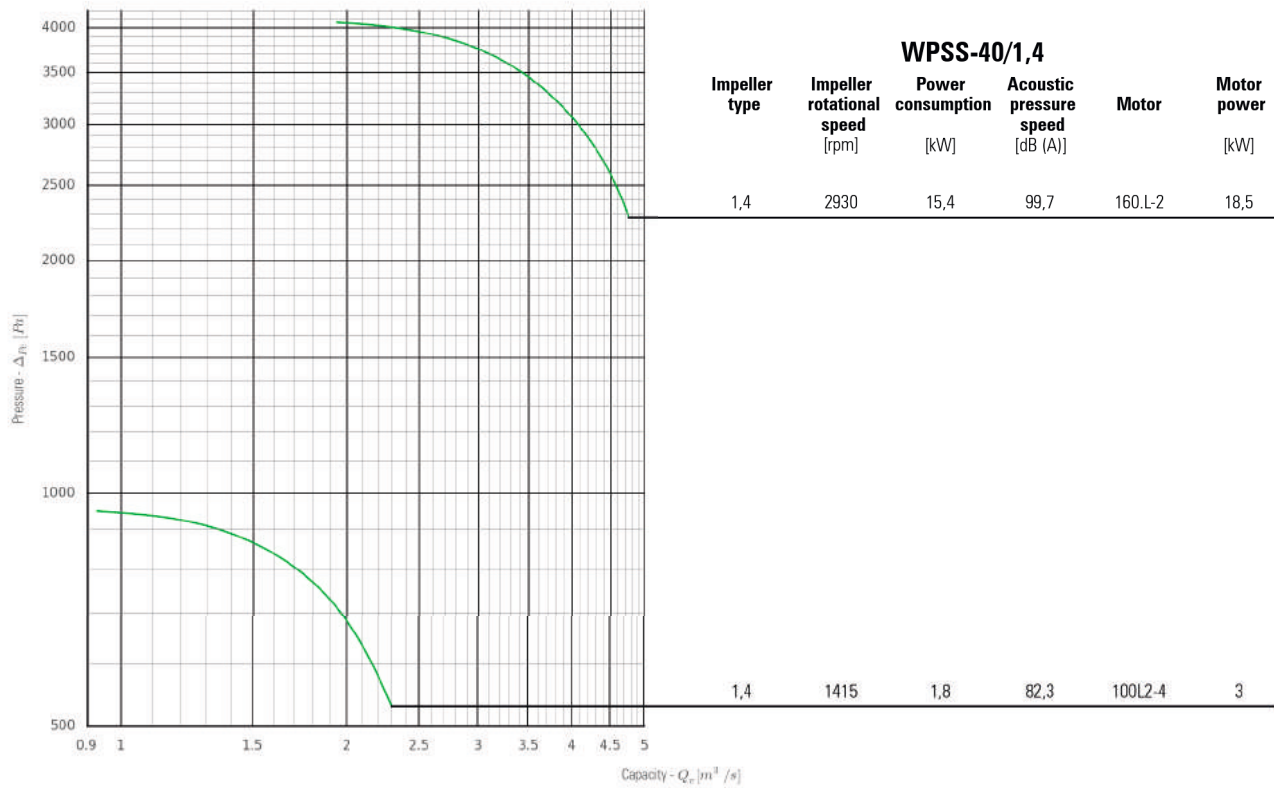
TECHNICAL DATA



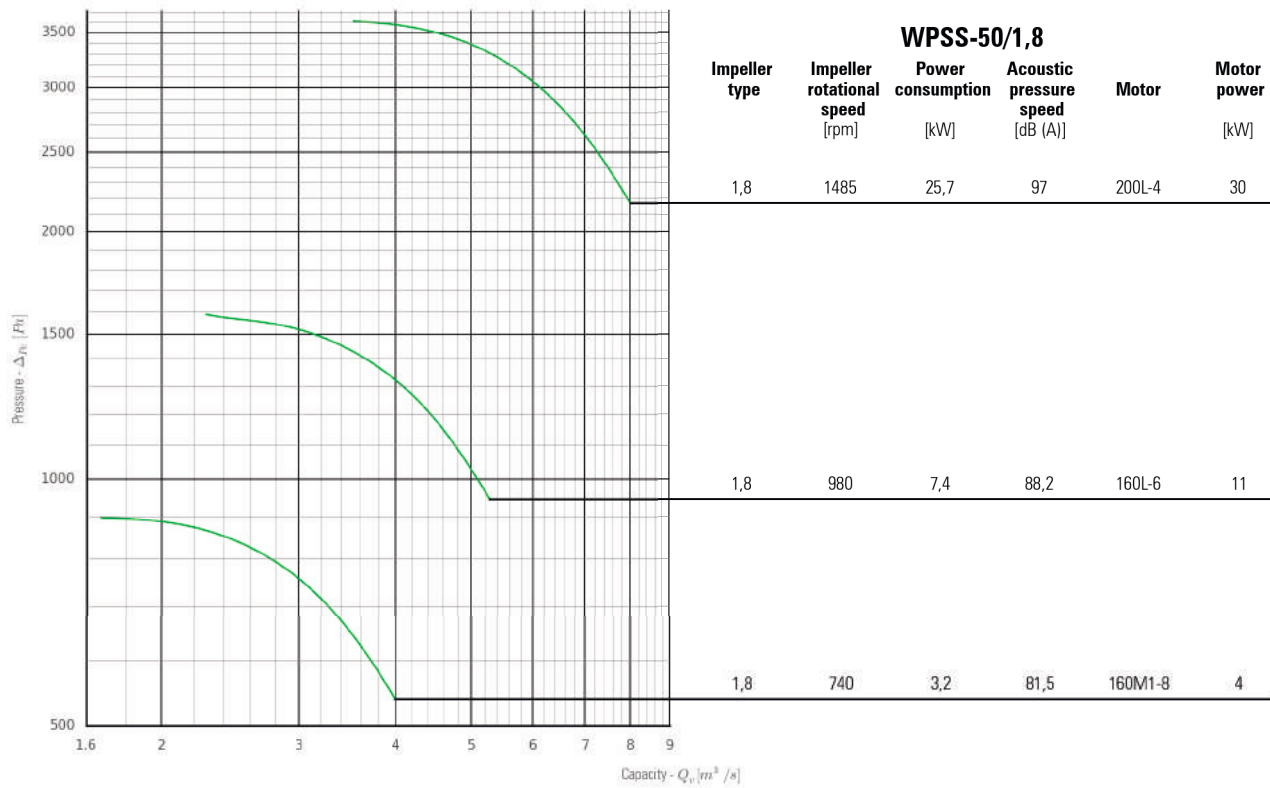
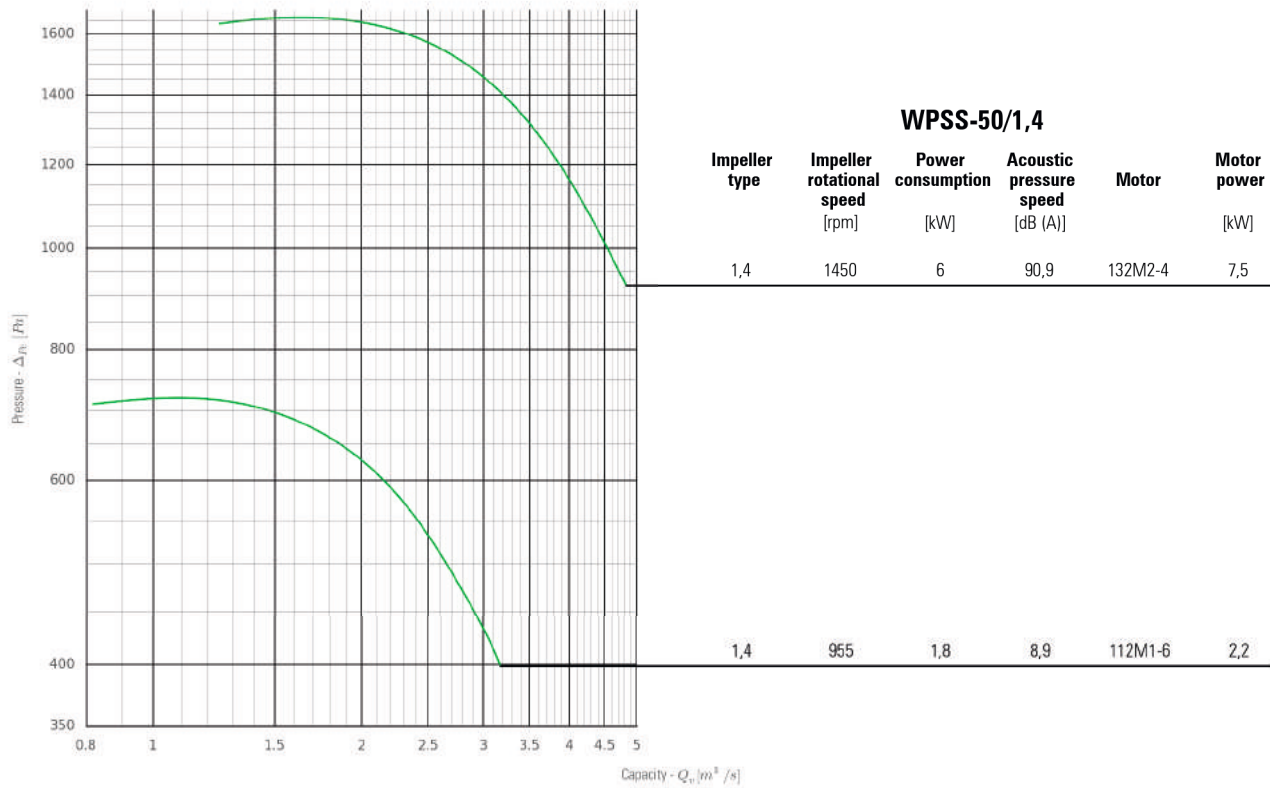
FLEXIBLE CONNECTIONS

ZWPSS	Fan width	Dn	Dp	Dz	b	b1	b2	b3	b4	b5	t	d	d1	k	k1	k2	k3
		[mm]											[szt.]				
40	1,4	400	446	487	250	500	570	608	320	356	140	12	15	12	16	1	3
	1,8	400	446	487	265	560	638	688	343	393	140	12	15	12	16	1	3
50	1,4	500	573	608	335	600	670	728	405	463	140	12	15	12	16	1	3
	1,8	500	573	627	335	710	780	838	405	463	140	15	15	16	16	1	3
63	1,6	630	703	757	425	900	970	1028	495	553	140	15	15	16	20	1	5
	1,8																
71	1,8	710	783	839	475	1000	1070	1130	545	603	140	15	15	20	20	1	5
80	1,8	800	873	949	530	1120	1210	1272	620	680	140	15	19	20	28	3	7
100	1,8	1000	1073	1116	662	1419	1515	1595	752	822	140	19	19	24	32	3	9

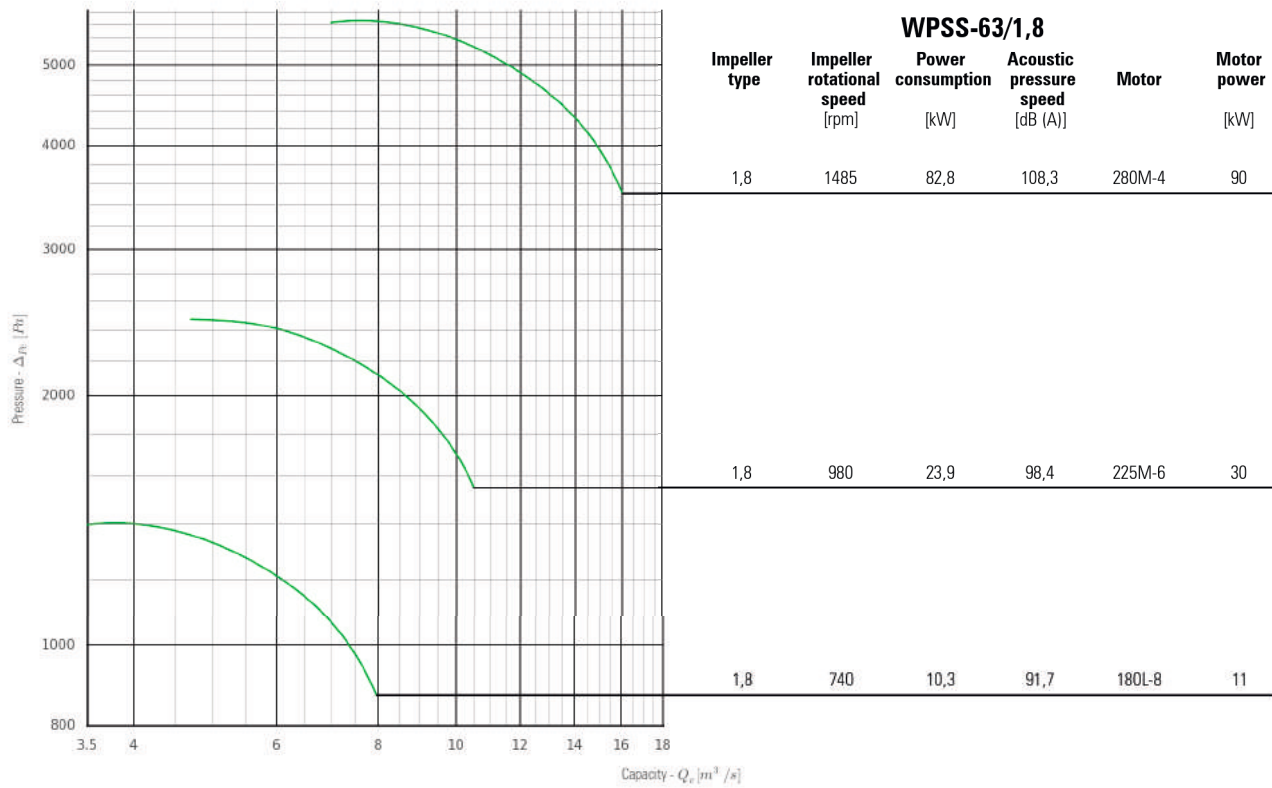
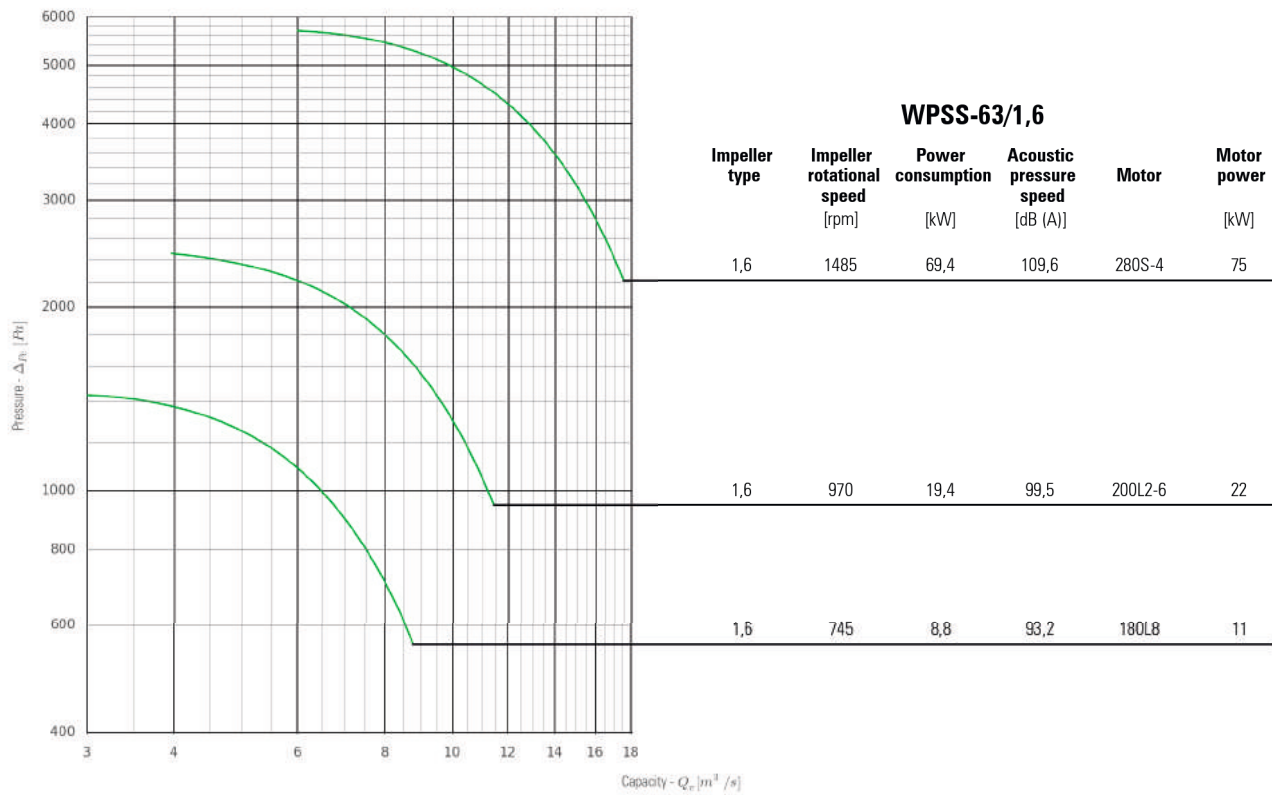
FLOW CHARACTERISTICS



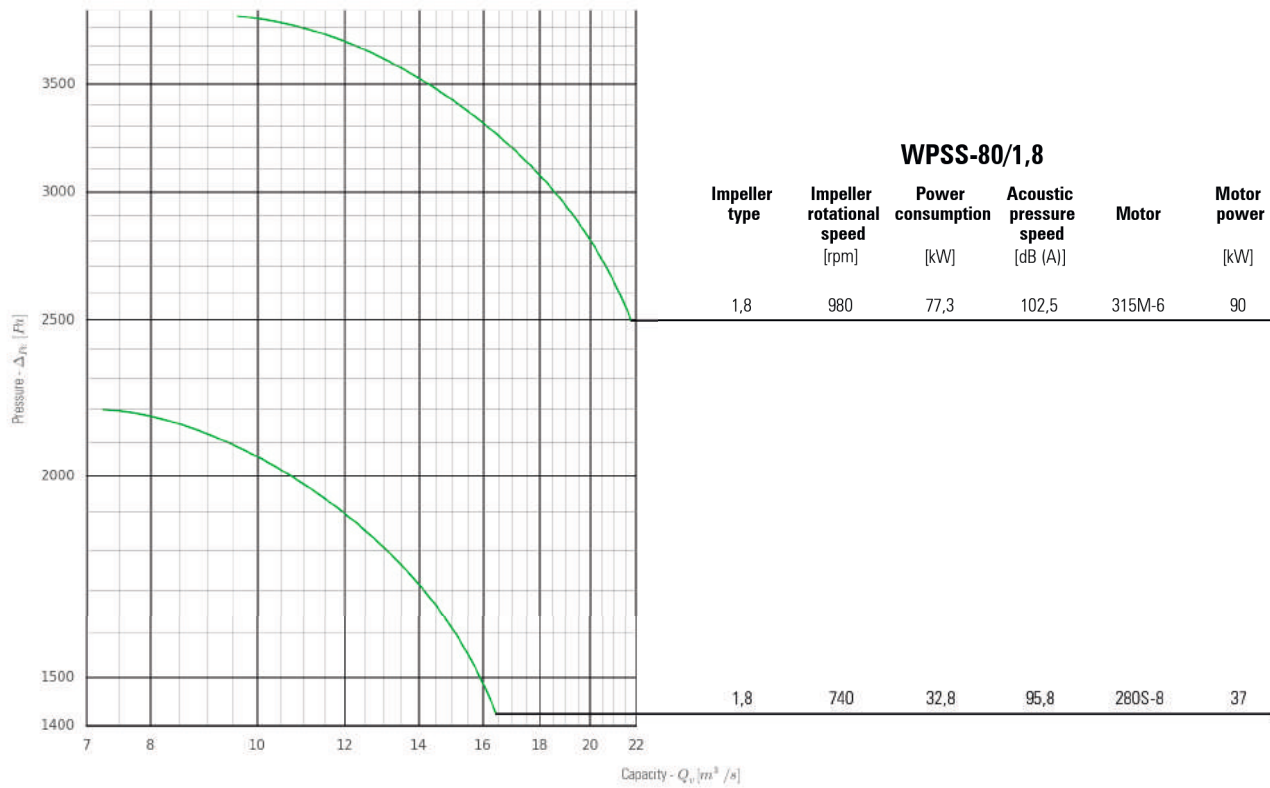
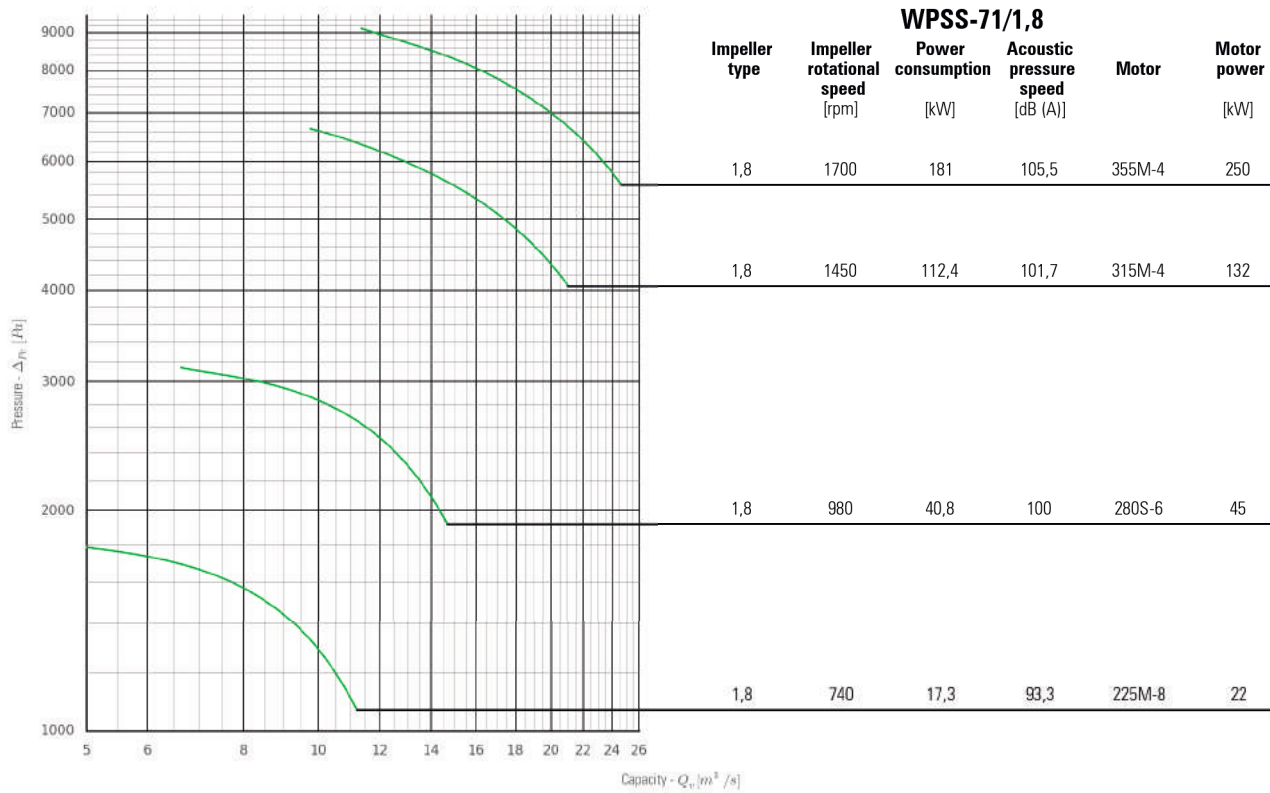
FLOW CHARACTERISTICS



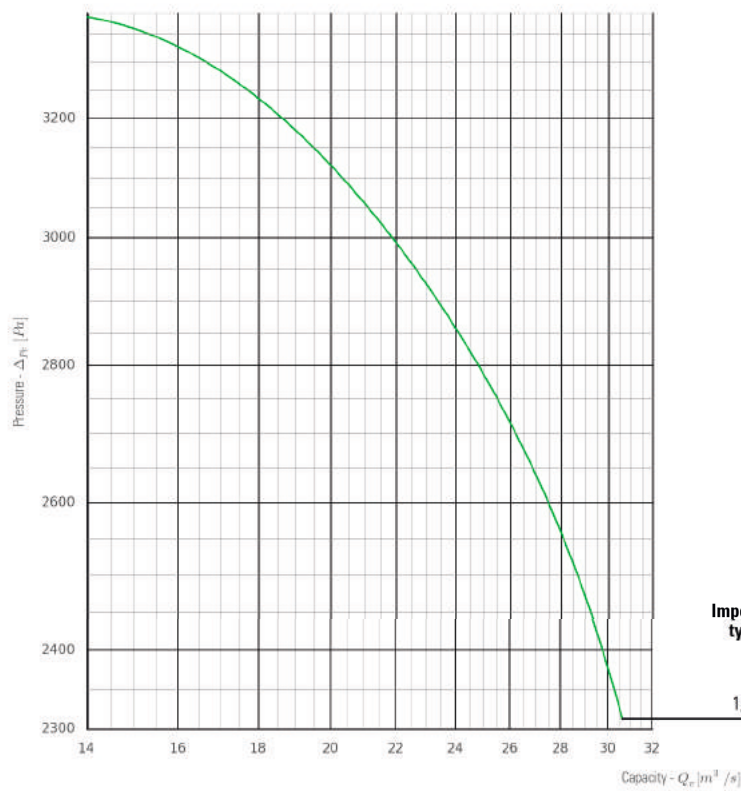
FLOW CHARACTERISTICS



FLOW CHARACTERISTICS



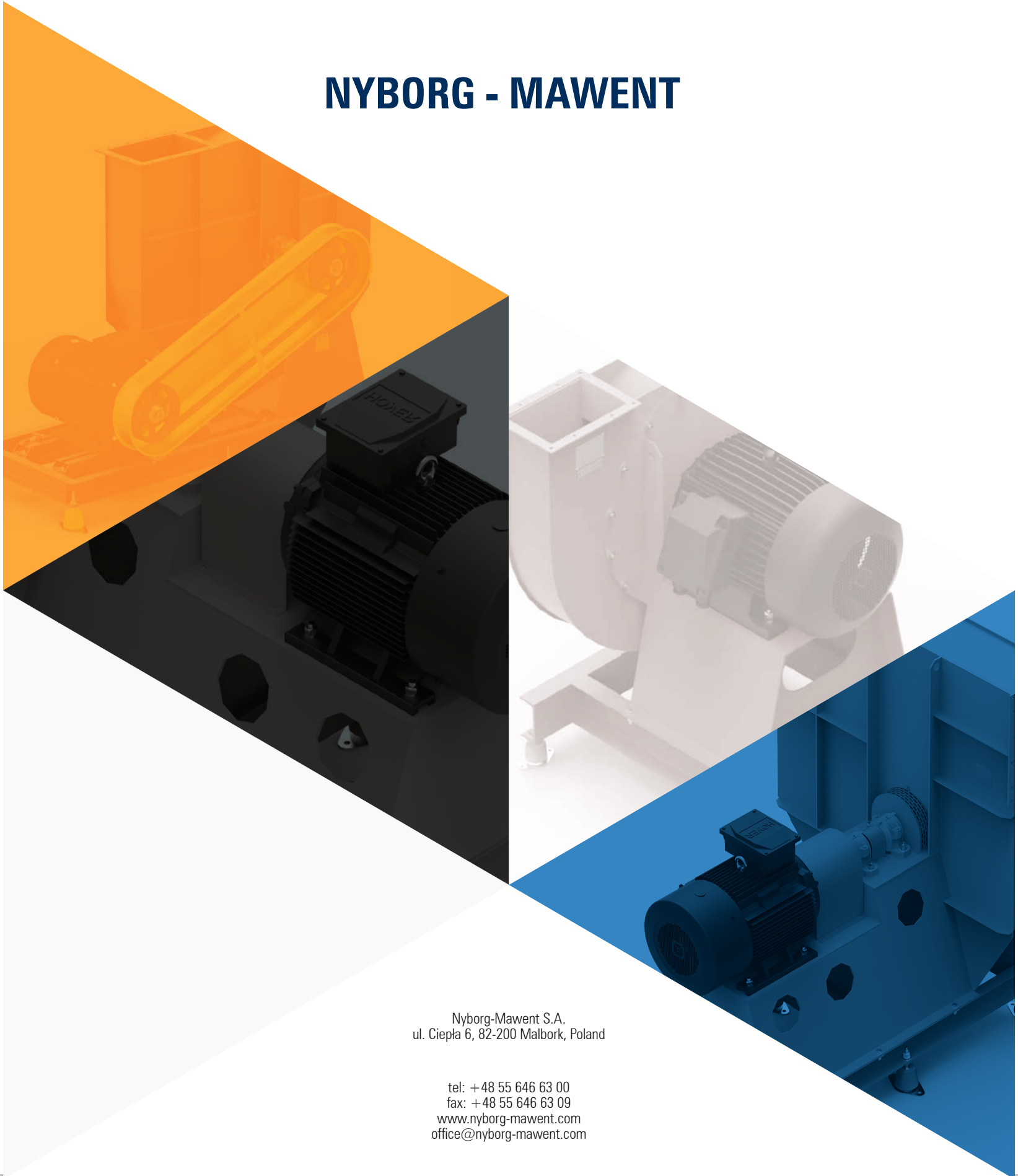
FLOW CHARACTERISTICS



WPSS-100/1,8

Impeller type	Impeller rotational speed	Power consumption	Acoustic pressure speed	Motor	Motor power
	[rpm]	[kW]	[dB (A)]		[kW]
1,8	735	97,5		355M-8	132

NYBORG - MAWENT



Nyborg-Mawent S.A.
ul. Ciepła 6, 82-200 Malbork, Poland

tel: +48 55 646 63 00
fax: +48 55 646 63 09
www.nyborg-mawent.com
office@nyborg-mawent.com