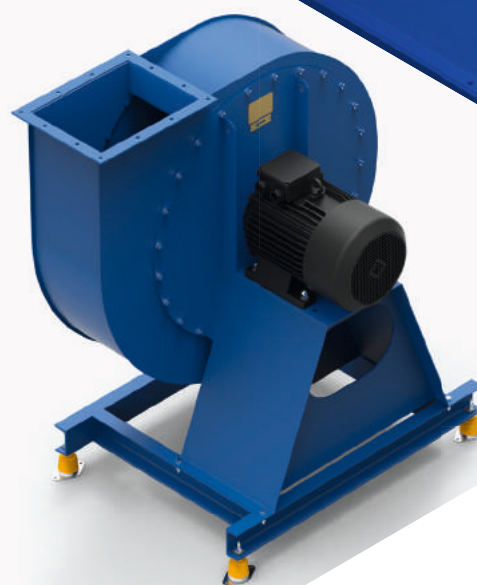




# NYBORG - MAWENT



## CENTRIFUGAL FANS ZWPTK

Nyborg-Mawent S.A.  
ul. Ciepła 6, 82-200 Malbork, Poland

tel: +48 55 646 63 00  
fax: +48 55 646 63 09  
[www.nyborg-mawent.com](http://www.nyborg-mawent.com)  
[office@nyborg-mawent.com](mailto:office@nyborg-mawent.com)



## APPLICATION:

Centrifugal fans ZWPTK are meant for pressing of air and other inert gas containing crumbled, light-weight solid particles. They are intended for pneumatic transport of sawdust and wood shavings, leather material wastes, synthetic fibres, hurds, shove harls, beetroot pomace, dried feed etc. They are recommended to be used in wood, chemical, textile and food industries. Concentration of loose or fibrous material may not exceed 0,2kg/m<sup>3</sup>

## CONSTRUCTION:

Main elements of the set such as: impeller, casing, base frame are made of standard steel of ordinary quality. In corrosion and heat-corrosion resistant executions the impeller and casing are made of steel with increased resistance to corrosion. On client's request other kinds of steel can be used.

## DRIVES:

- Direct drive (1) – up to 80°C
- Indirect coupling drive (4) – up to 350°C

## PROTECTION AGAINST CORROSION:

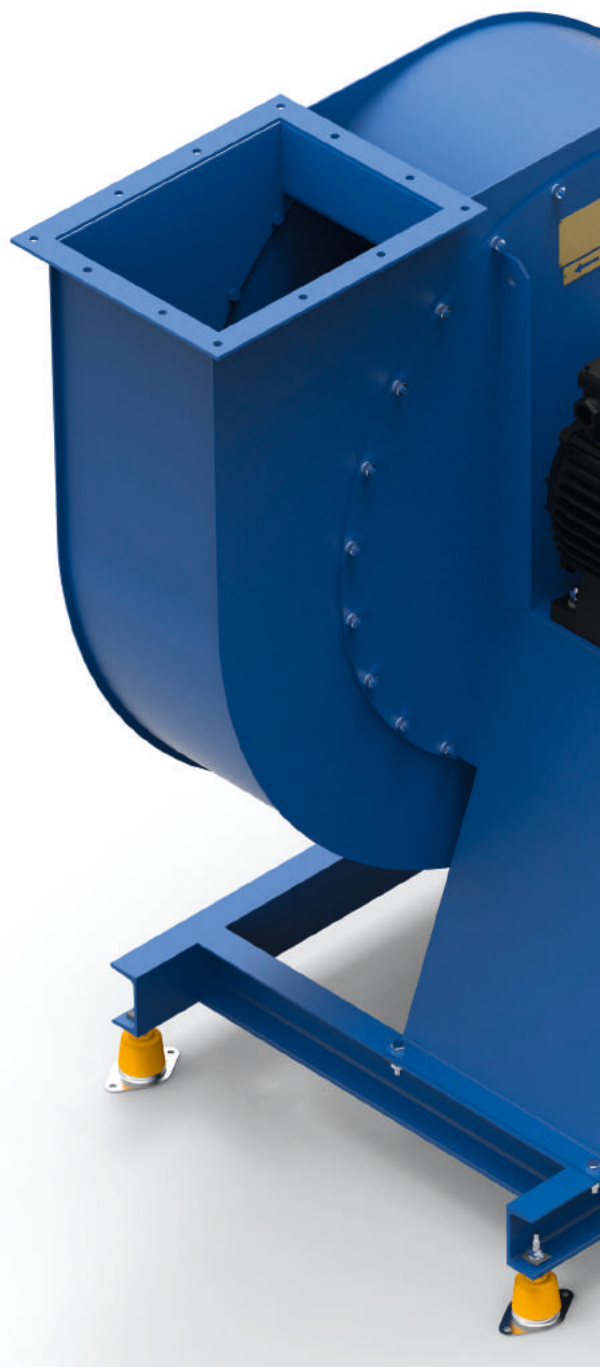
- Standard execution - painting with standard set of paints, C3 class, RAL 5009,
- Heat resistant execution - painting with a set of paints resistant to heat up to 350°C

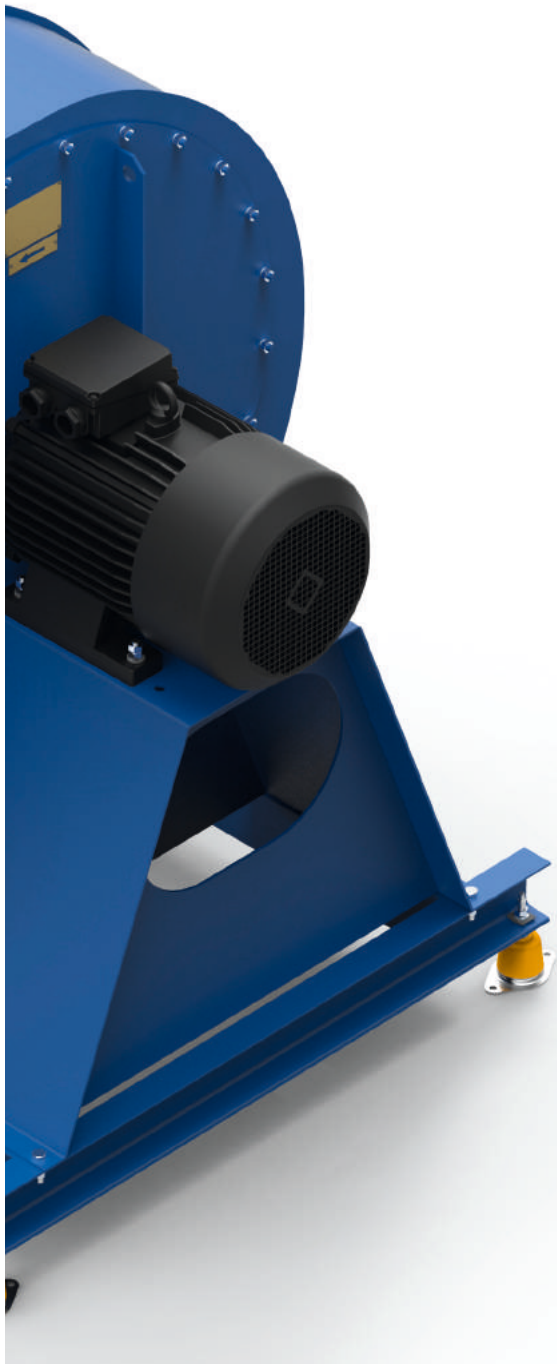
Options: hot deep galvanizing, acid treatment, passivation, glass blasting, chemo-resistant painting and in C4 and C5 classes on Client's request

## MOTOR:

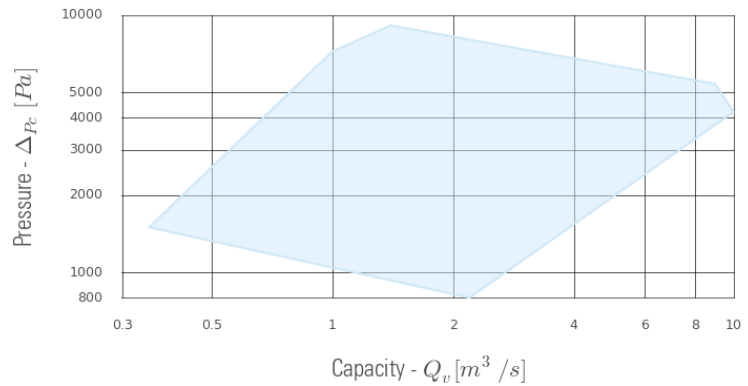
In standard the fans are driven by three-phase electric motors in IP55 execution, insulation class F, from world-renown producers. Ambient temperature must not exceed 40°C.

Motors for special execution available on Client's demand.





## WORKING FIELD OF THE FAN:



## ATEX:

The explosion-proof fans are meant for operation in potentially explosive areas according to ATEX 94/9/WE directive.

Available executions:

- Zone 2 for gases (3G)
- Zone 22 for dusts (3D)

## MOUNTING POSITIONS:

Each size of fan is produced with 8 locations of fan's outlet:

- Right: RD0, RD90, RS180, RD270
- Left: LG0, LG90, LG180, LG270

Other mounting positions available after contact with sales department.

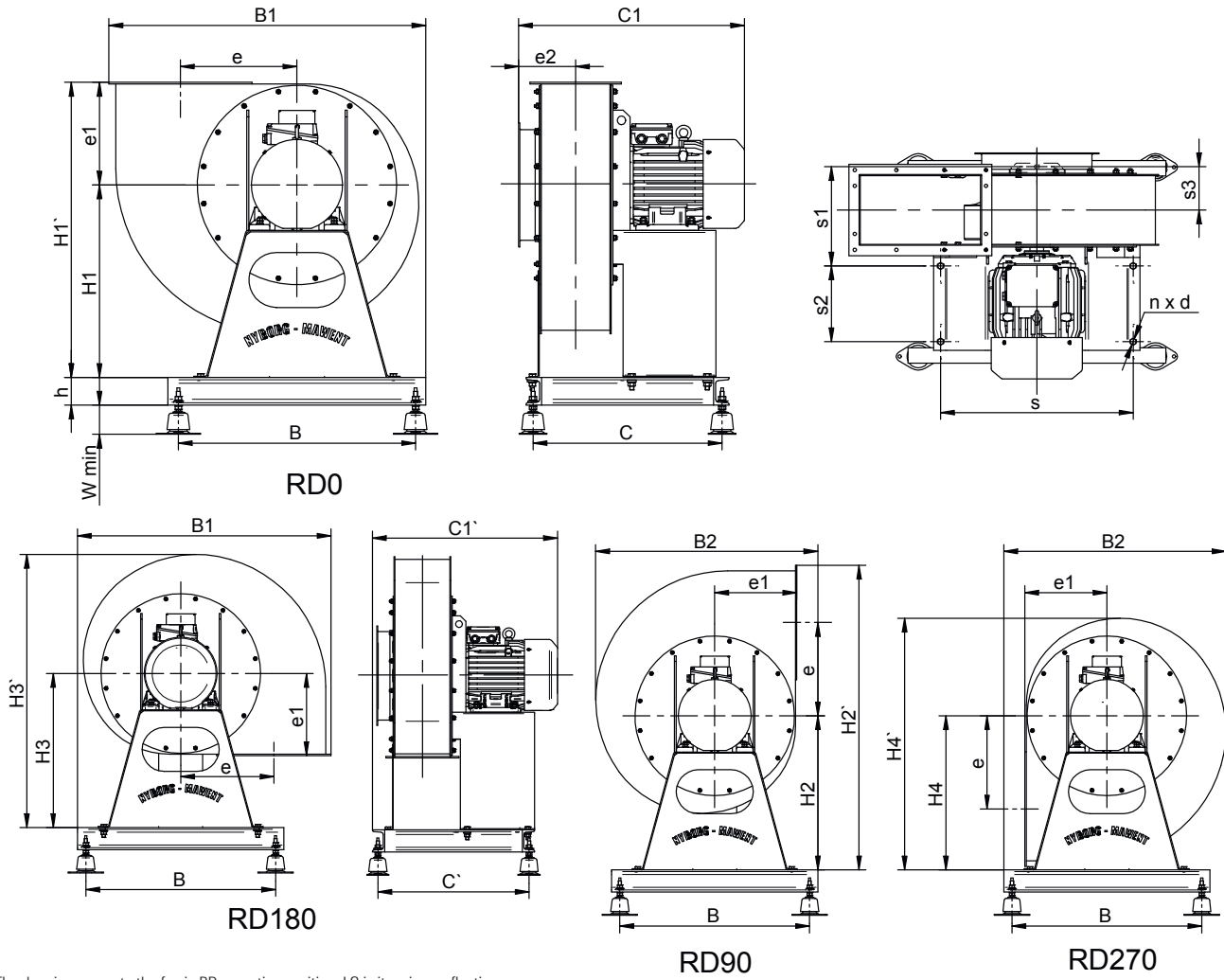
## ACCESSORIES:

Available accessories used for our fans are included in Fan's Accessories Catalogue.



*Due to constant improvement of our products we reserve the possibility of design changes which will increase their advantages and safety. Given dimensions are visual, we reserve the possibility of changes.*

# TECHNICAL DATA

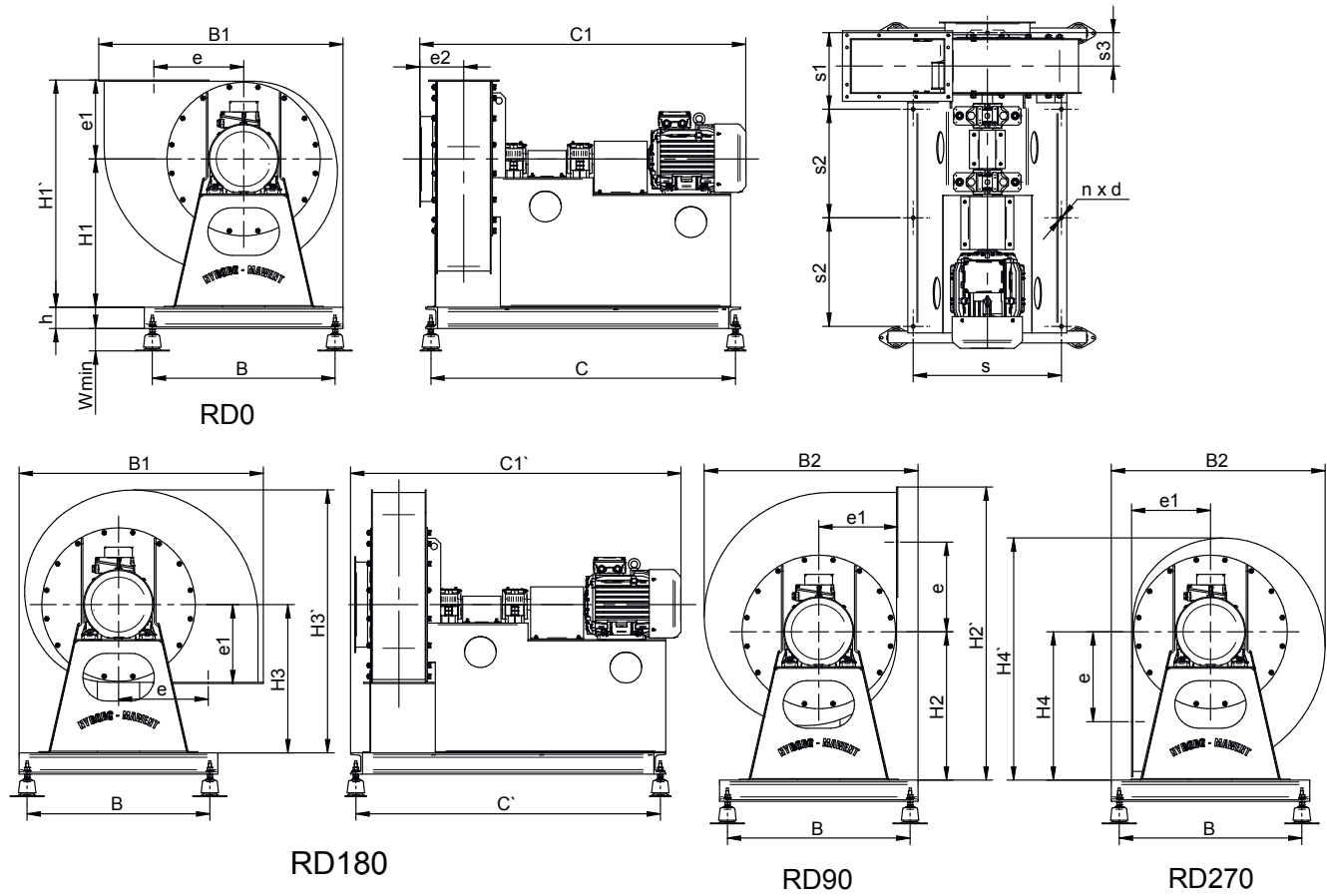


The drawing presents the fan in RD mounting position, LG is its mirror reflection.  
Visual drawing. We reserve the right to implement changes.

## FAN TYPE ZWPTK 35,5 – 50 WITH DIRECT DRIVE (NAP.1)

ZWPTK	Motor power [kW]	Motor size	e	e1	e2	s	s1	s2	s3	H1	H2	H3	H4	H1'	H2'	H3'	H4'	B	B1	B2	C	C1	C'	C1'	h	Wmin	d	n	Fan weight		
																													[kg]		
			[mm]																							[szt.]	[kg]				
35,5	5,5	132S-4	416	453	173	740	355	370	159	670	670	670	670	1123	1307	1208	1147	920	1127	1028	825	1009	770	921	140					400	
	7,5	132M-4																												450	
	11	160M-4																												700	
	15	160M2-2																												370	450
	30	200L1-2																													570
40	37	200L2-2	460	501	184	830	390	470	177	750	750	750	750	1251	1453	1345	1275	1040	1253	1145	760	858	760	858	140					700	
	11	160M-4																												450	
	15	160L-4																												570	
	18,5	180M-4																												700	
	30	200L1-2																												750	
	45	225M-2																												800	
	55	250M-2																												850	
45	75	280S-2	521	563	216	830	445	710	201	800	800	800	800	1363	1589	1467	1389	1040	1378	1230	1150	1488	1220	1488	140					450	
	15	160L-4																												600	
	30	200L-4																												750	
	37	225S-4																												850	
	55	250M-2																												850	
50	110	315S-2	582	625	232	830	489	470	214	890	890	890	890	1515	1775	1634	1546	1040	1541	1369	1040	1340	1040	1340	140					750	
	132	315M-2																												850	
	30	200L-4																												573	
	37	225S-4																												750	
	45	225M-4																												800	
	55	250M-4																												850	
	75	280S-4																												850	
90	280M-2	1050																													
110	315S-2	1150	1488	1220	1488																										

## TECHNICAL DATA

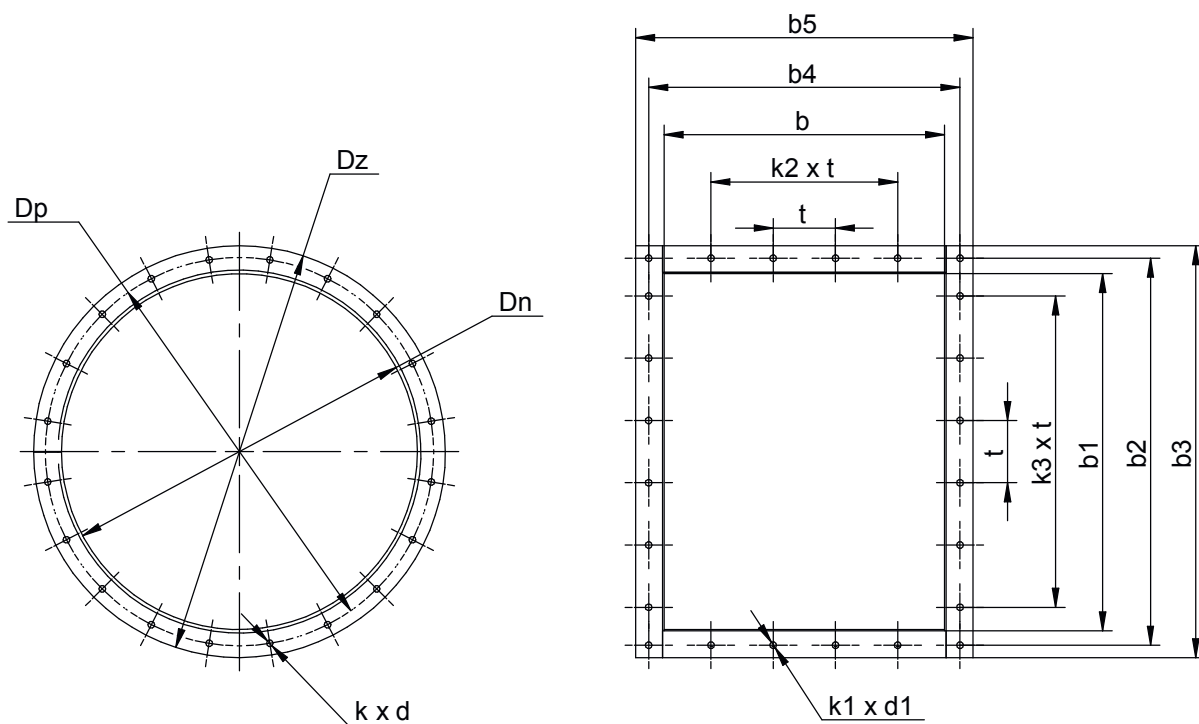


The drawing presents the fan in RD mounting position, LG is its mirror reflection.  
Visual drawing. We reserve the right to implement changes.

### FAN TYPE ZWPTK 35,5 – 50 WITH COUPLING DRIVE (NAP4)

ZWPTK	Motor power [kW]	Motor size	e	e1	e2	s	s1	s2	s3	H1	H2	H3	H4	H1'	H2'	H3'	H4'	B	B1	B2	C	C1	C'	C1'	h	Wmin	d	n	Fan weight [kg]	
			[mm]																								[szt.]			
35,5	5,5	132S-4	416	453	173	750	365	565	159	670	670	670	670	1123	1307	1208	1147	920	1127	1028	1495	1705	1540	1750	140					420
	7,5	132M2-4																												510
	11	160M-4																												510
	15	160M2-2																												610
	30	200L1-2																												700
40	37	200L2-2	460	501	184	830	390	560	177	750	750	750	750	1251	1453	1345	1275	1040	1253	1145	1415	1530	1455	1530	140	85	14	7	790	
	11	160M-4																											610	
	15	160L-4																											700	
	18,5	180M-4																											790	
	30	200L1-2																											890	
	45	225M-2																											1000	
	55	250M-2																											1050	
45	75	280S-2	521	563	216	830	445	780	201	800	800	800	800	1363	1589	1467	1389	1040	1378	1230	2000	2353	2070	2353	140	85	14	7	830	
	15	160L-4																											830	
	30	200L-4																											850	
	37	225S-4																											1000	
	55	250M-2																											1050	
50	110	315S-2	582	625	232	830	489	670	214	890	890	890	890	1515	1775	1634	1546	1040	1541	1369	1890	2100	1940	2100	140	85	14	7	850	
	132	315M-2																											890	
	30	200L-4																											890	
	37	225S-4																											940	
	45	225M-4																											940	
	55	250M-4																											1150	
	75	280S-2																											1150	

## TECHNICAL DATA

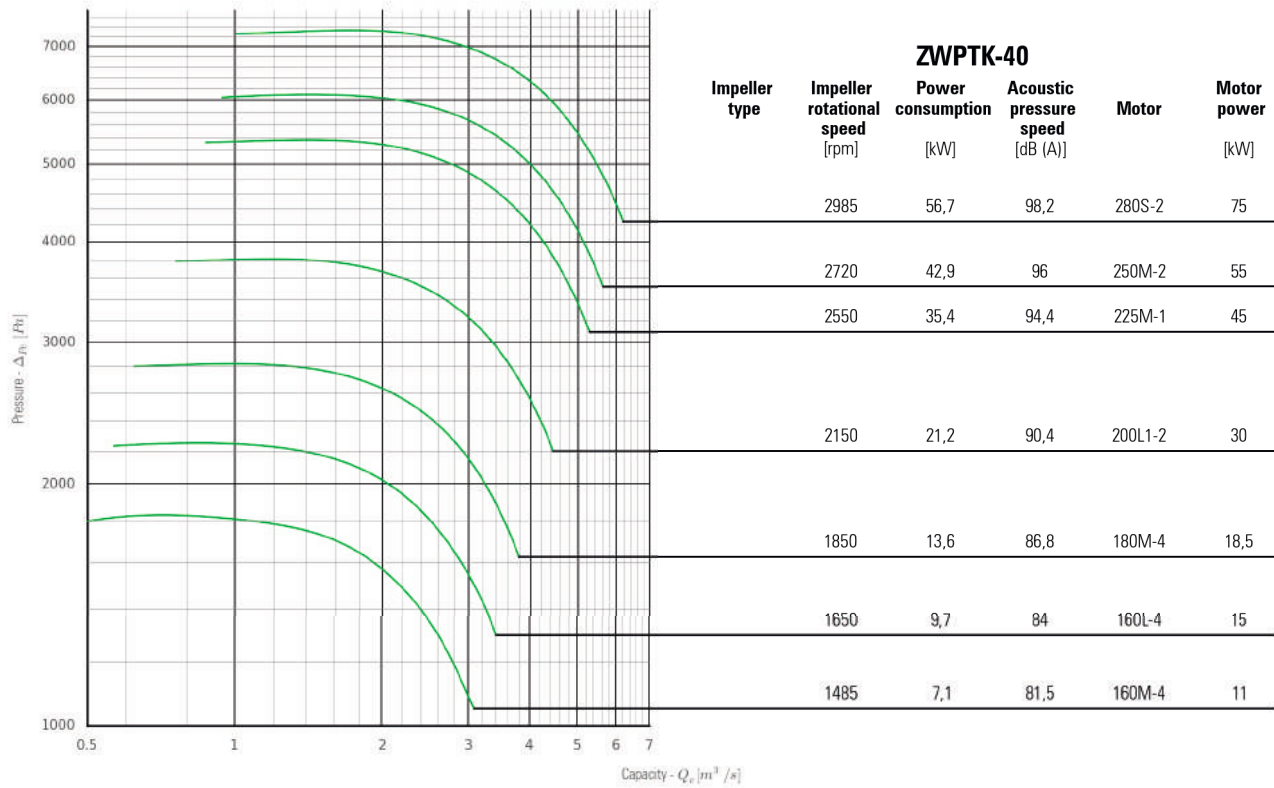
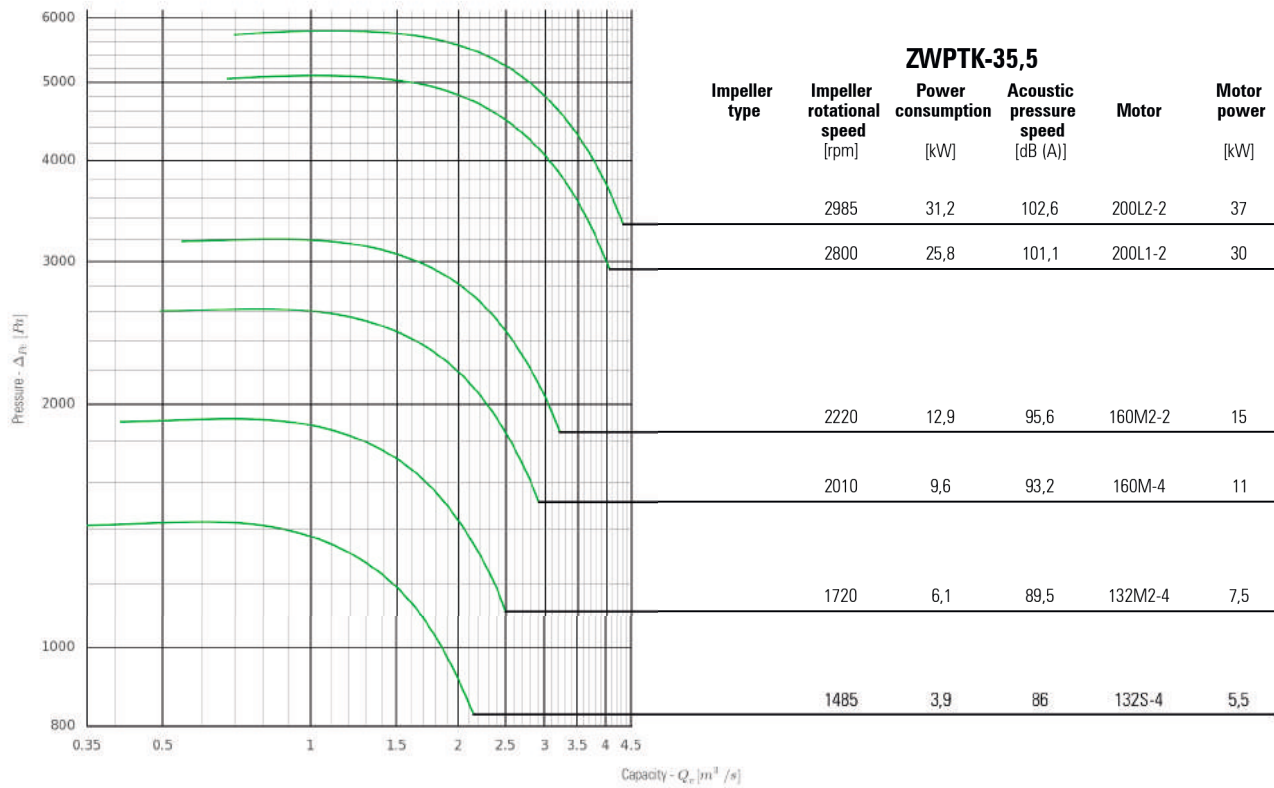


Visual drawing. We reserve the right to implement changes.

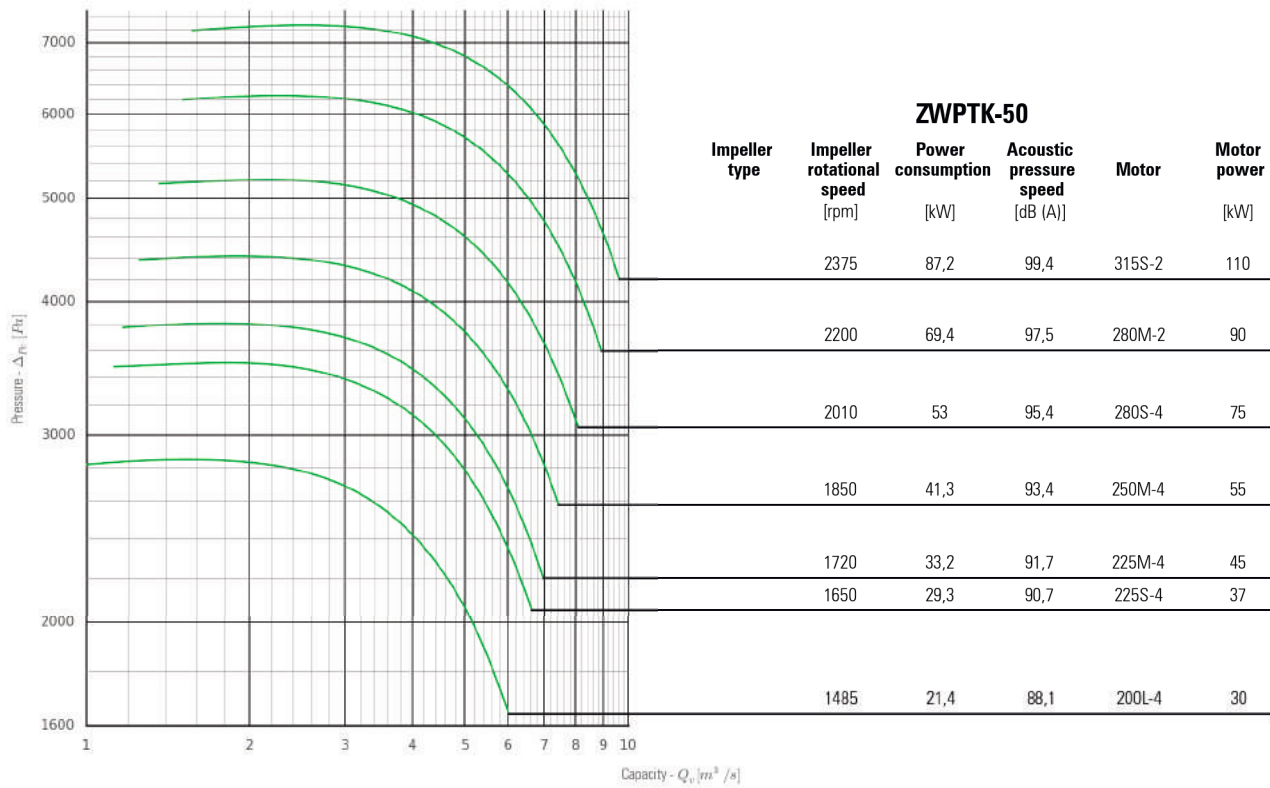
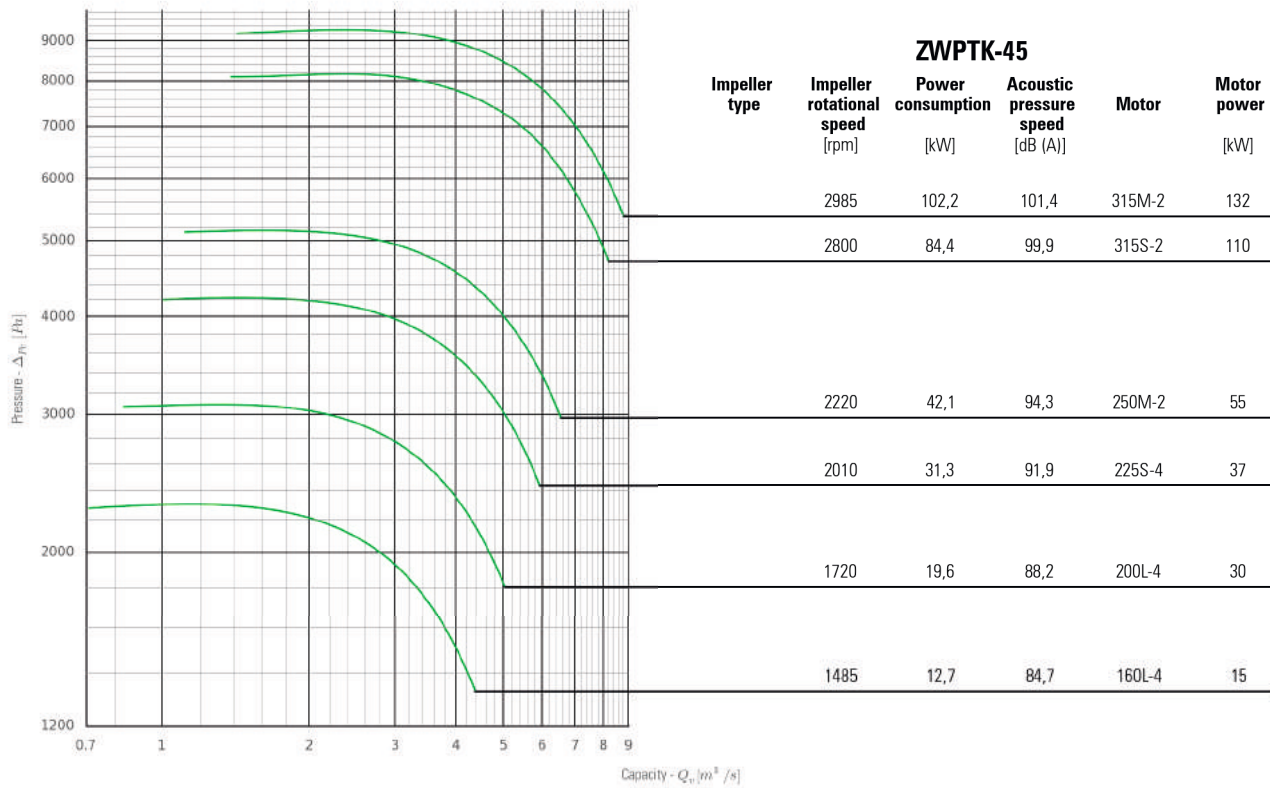
### FLEXIBLE CONNECTIONS

ZWPTK	$D_n$	$D_p$	$D_z$	$b$	$b_1$	$b_2$	$b_3$	$b_4$	$b_5$	$t$	$d$	$d_1$	$k$	$k_1$	$k_2$	$k_3$
	[mm]												[szt.]			
35,5	355	407	444	266	355	399	411	310	352	140	12	12	8	12	1	1
40	400	446	484	300	400	444	486	344	388	140	12	12	12	12	1	1
45	450	523	574	338	450	496	536	386	426	140	14	12	12	14	1	2
50	500	573	624	275	500	570	606	445	483	140	14	15	16	16	1	3

## FLOW CHARACTERISTICS

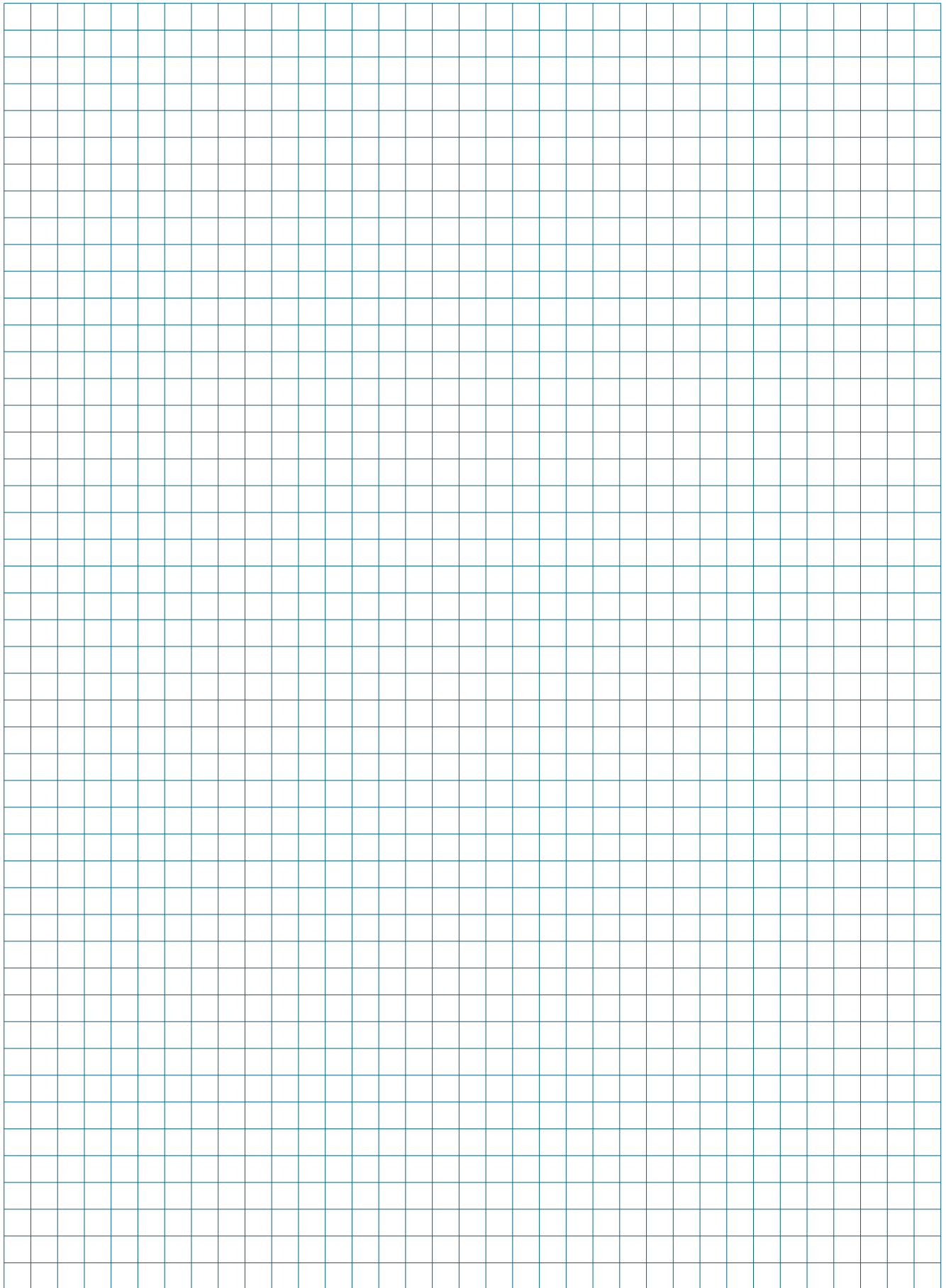


# FLOW CHARACTERISTICS

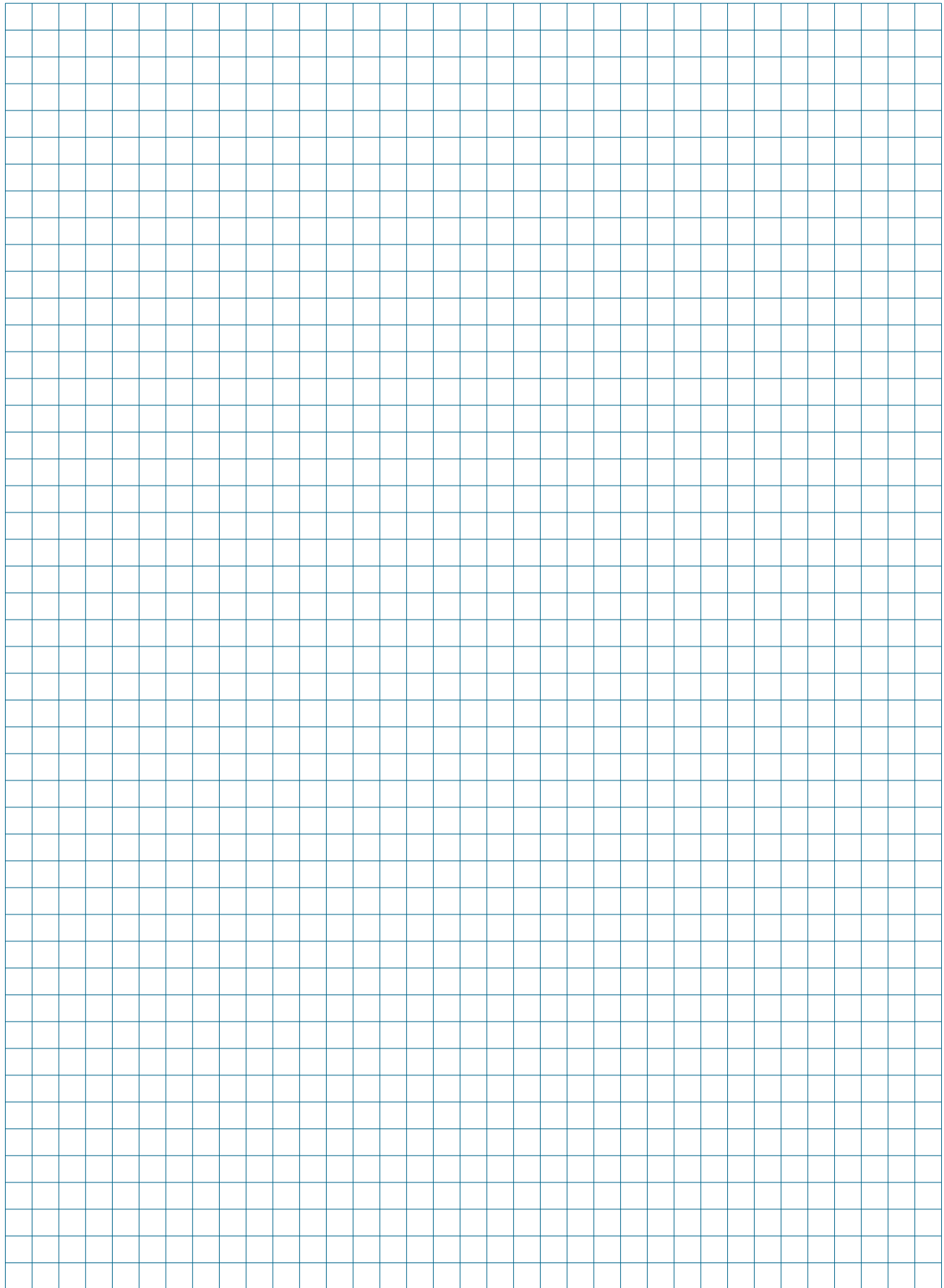




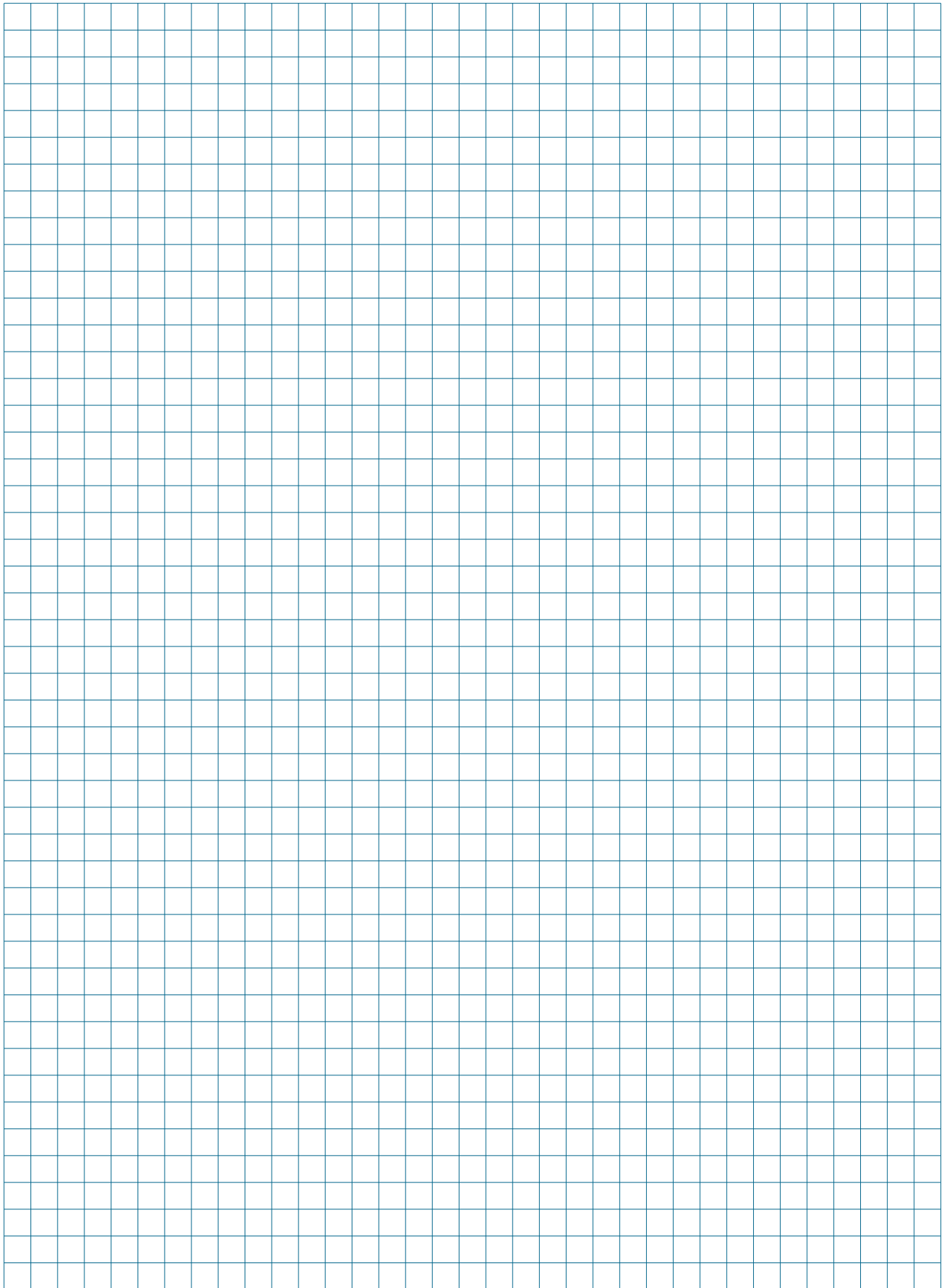
## NOTES



## NOTES



## NOTES



# NYBORG - MAWENT



Nyborg-Mawent S.A.  
ul. Ciepła 6, 82-200 Malbork, Poland

tel: +48 55 646 63 00  
fax: +48 55 646 63 09  
[www.nyborg-mawent.com](http://www.nyborg-mawent.com)  
[office@nyborg-mawent.com](mailto:office@nyborg-mawent.com)