



NYBORG - MAWENT



CENTRIFUGAL FANS ZWPT

Nyborg-Mawent S.A.
ul. Ciepla 6, 82-200 Malbork, Poland

tel: +48 55 646 63 00
fax: +48 55 646 63 09
www.nyborg-mawent.com
office@nyborg-mawent.com



APPLICATION:

Centrifugal fans ZWPT are meant for pressing of air and other inert gas and steams containing crumbled, light-weight solid particles. They are intended for pneumatic transport of sawdust and wood shavings, leather material wastes, synthetic fibres, hurds, shove harls, beetroot pomace, dried feed etc. They are recommended to be used in wood, chemical, textile and food industries. Concentration of loose or fibrous material may not exceed 0,2kg/m³.

CONSTRUCTION:

Main elements of the set such as: impeller, casing, base frame are made of standard steel of ordinary quality. In corrosion and heat-corrosion resistant executions the impeller and casing are made of steel with increased resistance to corrosion. On client's request other kinds of steel can be used.

DRIVES:

- Direct drive (1) – up to 80°C
- Indirect belt drive (2) – up to 350°C
- Indirect coupling drive (4) – up to 350°C

PROTECTION AGAINST CORROSION:

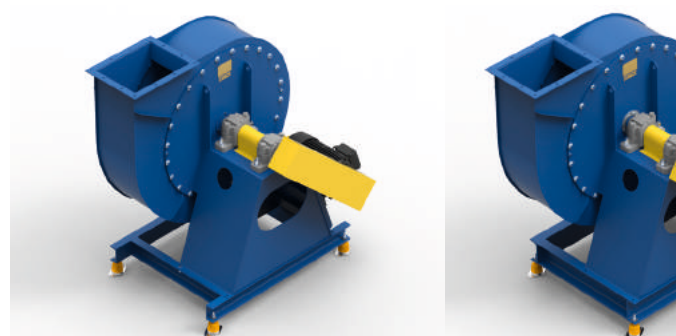
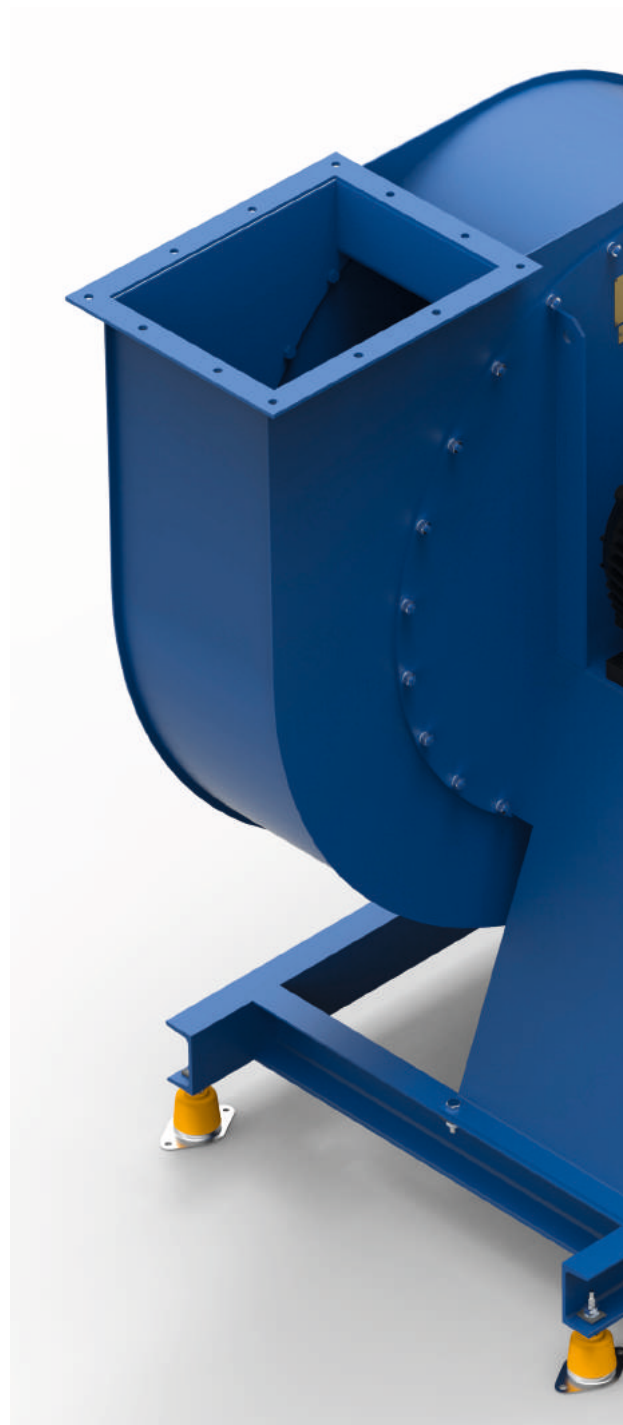
- Standard execution - painting with standard set of paints, C3 class, RAL 5009,
- Heat resistant execution - painting with a set of paints resistant to heat up to 350°C

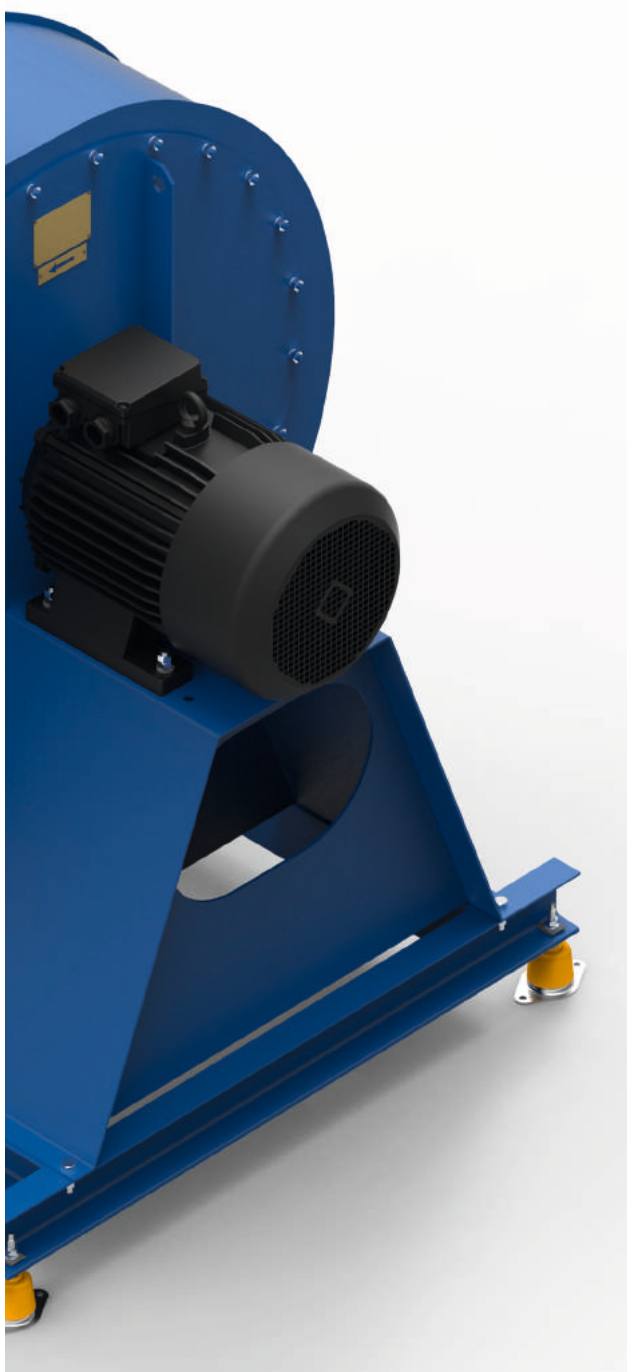
Options: hot deep galvanizing, acid treatment, passivation, glass blasting, chemo-resistant painting and in C4 and C5 classes on Client's request.

MOTOR:

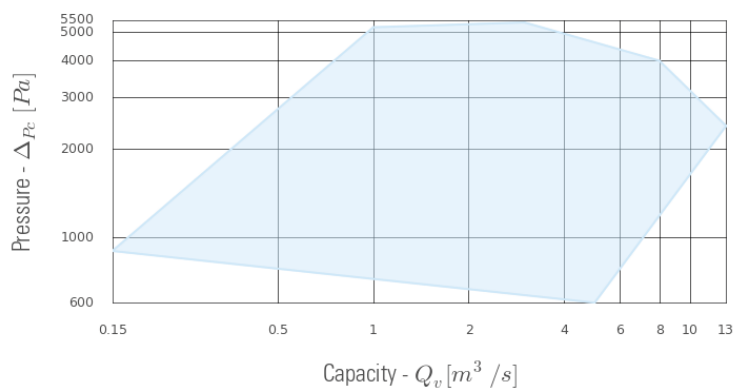
In standard the fans are driven by three-phase electric motors in IP55 execution, insulation class F, from world-renown producers. Ambient temperature must not exceed 40°C.

Motors for special execution available on Client's demand.





WORKING FIELD OF THE FAN:



ATEX:

The explosion-proof fans are meant for operation in potentially explosive areas according to ATEX 94/9/WE directive.

Available executions:

- Zones 2 and 1 for gases (3G/2G)
- Zones 22 and 21 for dusts (3D/2D)

MOUNTING POSITIONS:

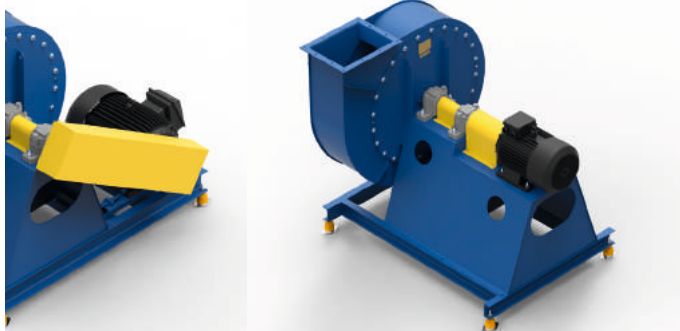
Each size of fan is produced with 8 locations of fan's outlet:

- Right: RD0, RD90, RS180, RD270
- Left: LG0, LG90, LG180, LG270

Other mounting positions available after contact with sales department.

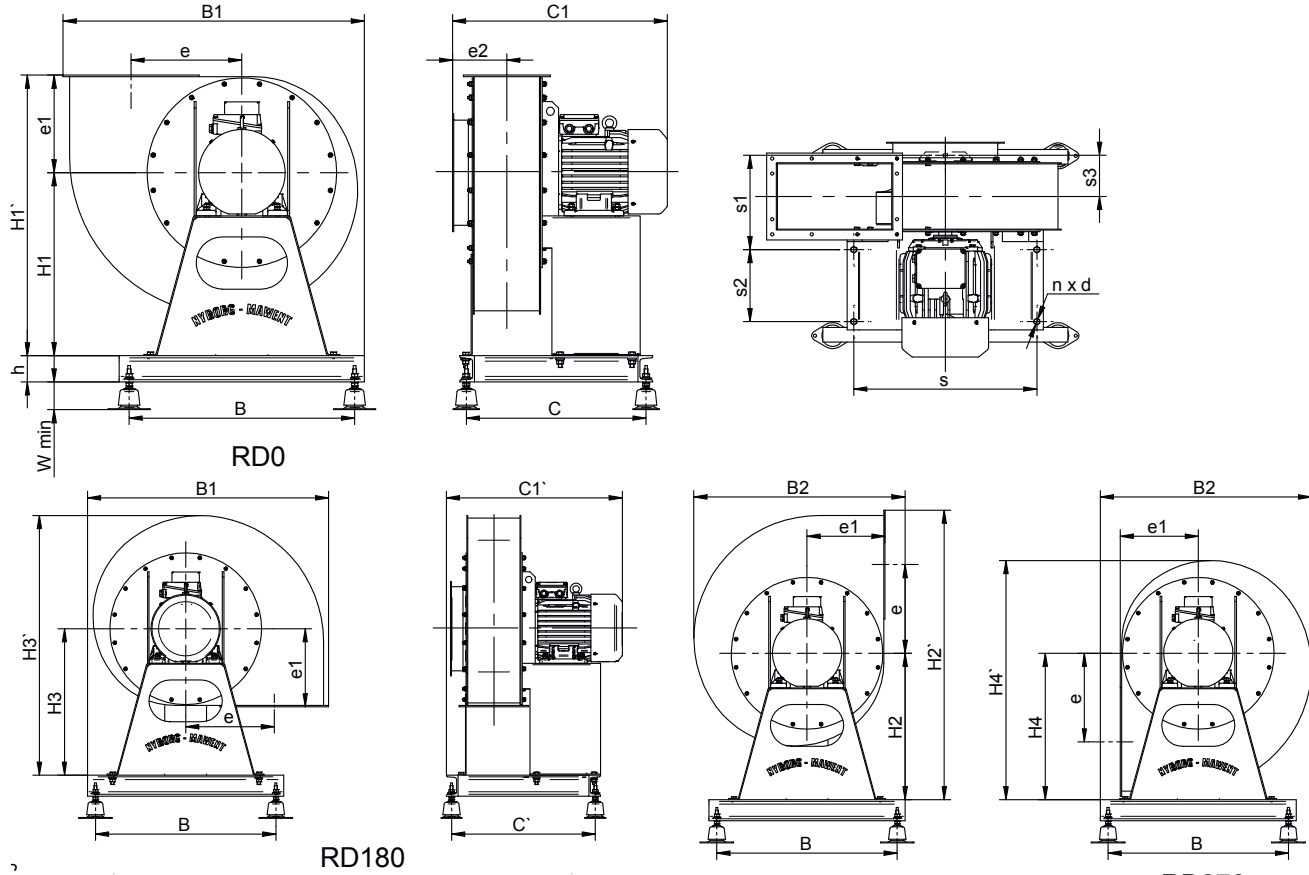
ACCESSORIES:

Available accessories used for our fans are included in Fan's Accessories Catalogue.



Due to constant improvement of our products we reserve the possibility of design changes which will increase their advantages and safety. Given dimensions are visual, we reserve the possibility of changes.

TECHNICAL DATA

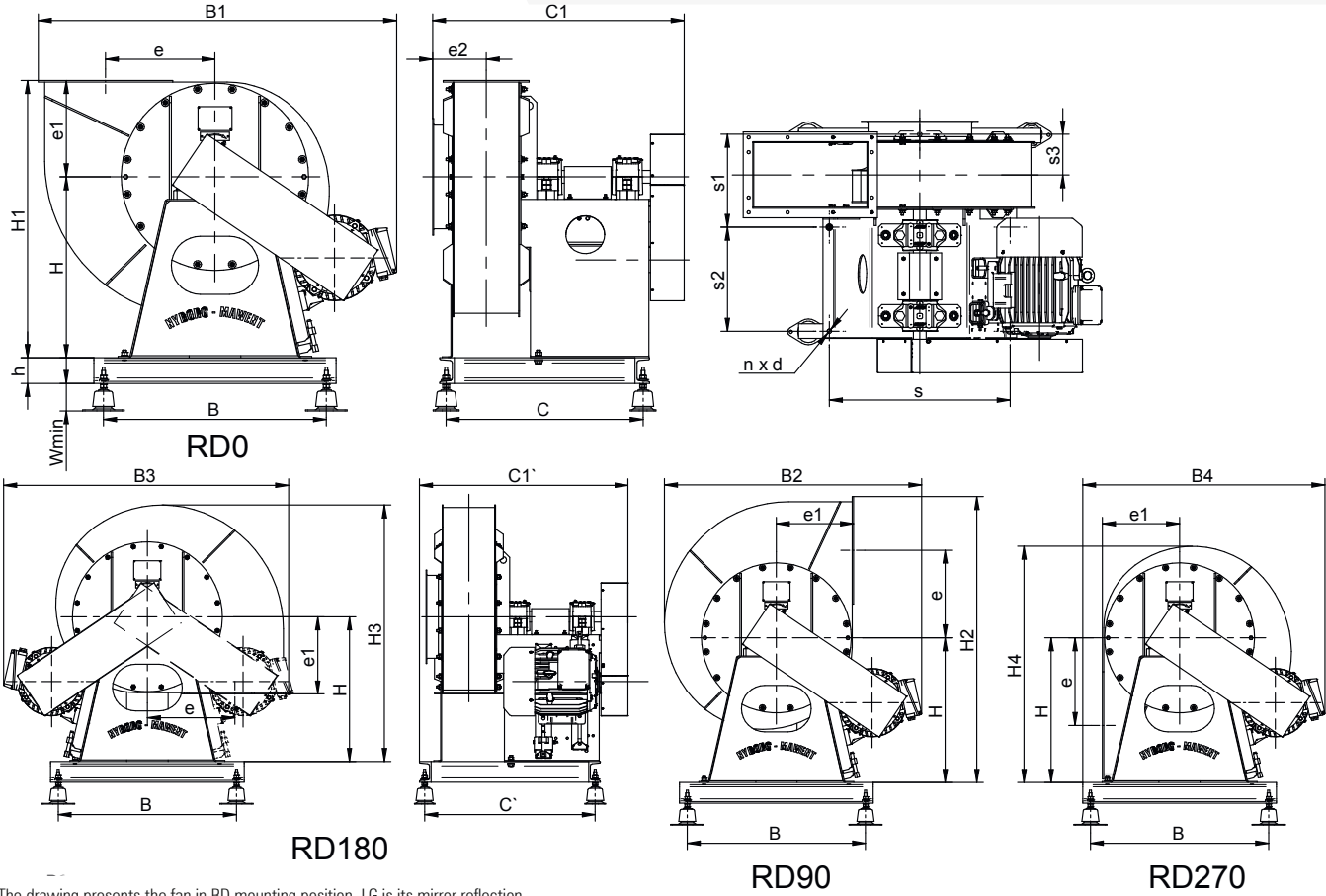


The drawing presents the fan in RD mounting position, LG is its mirror reflection.
Visual drawing. We reserve the right to implement changes.

FAN TYPE ZWPT 20-50 WITH DIRECT DRIVE (NAP.1)

ZWPT	Motor power [kW]	Motor size	e	e1	e2	s	s1	s2	s3	H1	H2	H3	H4	H1'	H2'	H3'	H4'	B	B1	B2	C	C1	C'	C1'	h	Wmin	d	n	Fan weight [kg]	
[mm]																														
																											[szt.]			
20	0,75	80 1-2	230	258	106	480	246	170	105	400	400	400	400	658	762	703	668	620	702	643	465	478	465	478	80					80
	1,1	80 2-2																												88
	1,5	90S-2																												150
	2,2	90L-2																												
	3	100L-2																												
25	1,5	90L-4	291	320	123	480	281	220	121	450	450	450	450	770	898	830	784	620	788	719	550	645	550	645	80					160
	2,2	100L1-4																												162
	3	100L-2																												
	5,5	132S1-2																												
	7,5	132S2-2																												
31,5	2,2	100L1-4	370	403	155	650	329	220	146	600	600	600	600	1003	1171	1077	1021	920	1061	965	590	605	590	605	80					165
	3	100L2-4																												200
	5,5	132S-4																												272
	11	160M-1-2																												
	18,5	160L-2																												
40	7,5	132M2-4	460	501	184	830	390	370	177	750	750	750	750	1251	1453	1345	1275	1040	1253	1145	760	858	760	858	140					300
	11	160M-4																												450
	15	160L-4																												
	22	180L-4																												
	30	200L1-2																												
50	45	225M-2	582	625	232	830	489	470	214	890	890	890	890	1515	1775	1634	1546	1040	1541	1369	940	1081	940	1081	140					550
	11	160L-6																												573
	18,5	200L1-6																												
	22	180L-4																												
	37	225S-4																												
50	45	225M-4	582	625	232	830	489	570	214	890	890	890	890	1515	1775	1634	1546	1040	1541	1369	1040	1340	1040	1340	140					750
	75	280S-2																												800

TECHNICAL DATA

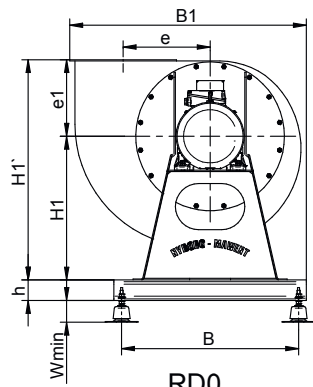


The drawing presents the fan in RD mounting position, LG is its mirror reflection.
Visual drawing. We reserve the right to implement changes.

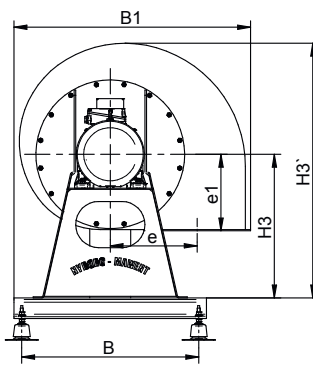
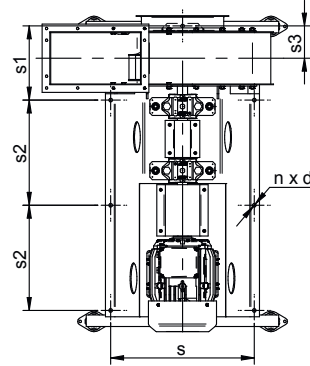
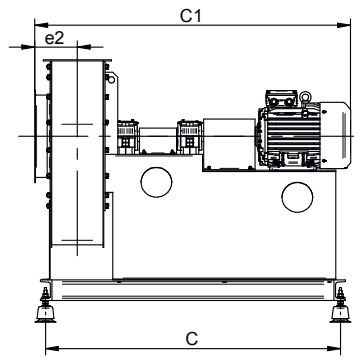
FAN TYPE ZWPT 20-50 WITH V-BELT DRIVE (NAP.2)

ZWPT	Mo- tor po- wer [kW]	Motor size	e	e1	e2	s	s1	s2	s3	H	H1	H2	H3	H4	B	B1	B2	B3	B4	C	C1	C'	C1'	h	Wmin	d	n	Fan we- ight [kg]
																												[mm]
20	0,75	80 1-2	230	258	115	480	246	282	105	400	658	762	702	668	750	843	843	843	843	527	633	527	633	80	85	14	5	80
	1,1	80 2-2																										82
	1,5	90S-2																										85
	2,2	90L-2																										96
	3	100L-2																										151
25	1,5	90L-4	291	320	125	480	283	335	123	450	770	898	828	784	750	900	856	856	856	613	732	648	732	80	85	14	5	158
	2,2	100L1-4																										212
	3	100L-2																										212
31,5	2,2	100L1-4	370	403	155	650	339	330	146	600	1003	1171	1076	1021	920	1164	1083	1083	1083	665	811	710	811	80	85	14	5	266
	3	100L2-4																										266
	5,5	132S-4																										366
40	7,5	132M2-4	460	501	186	830	404	370	179	750	1251	1453	1345	1275	1040	1365	1257	1253	1212	770	940	810	982	100	85	14	5	366
50	11	160L-6	582	625	229	830	489	475	217	890	1515	1775	1634	1546	1040	1634	1494	1627	1374	960	1152	960	1152	100	85	14	5	595

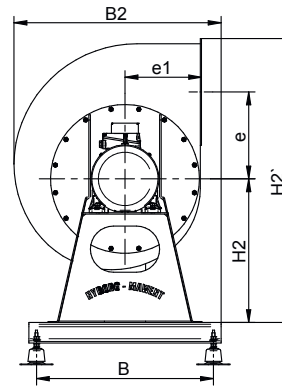
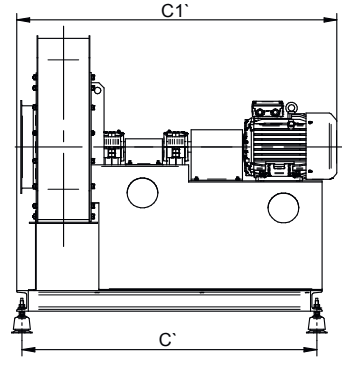
TECHNICAL DATA



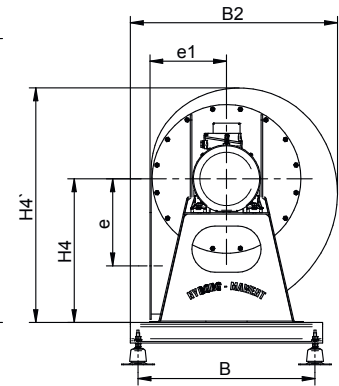
RD0



RD180



RD90



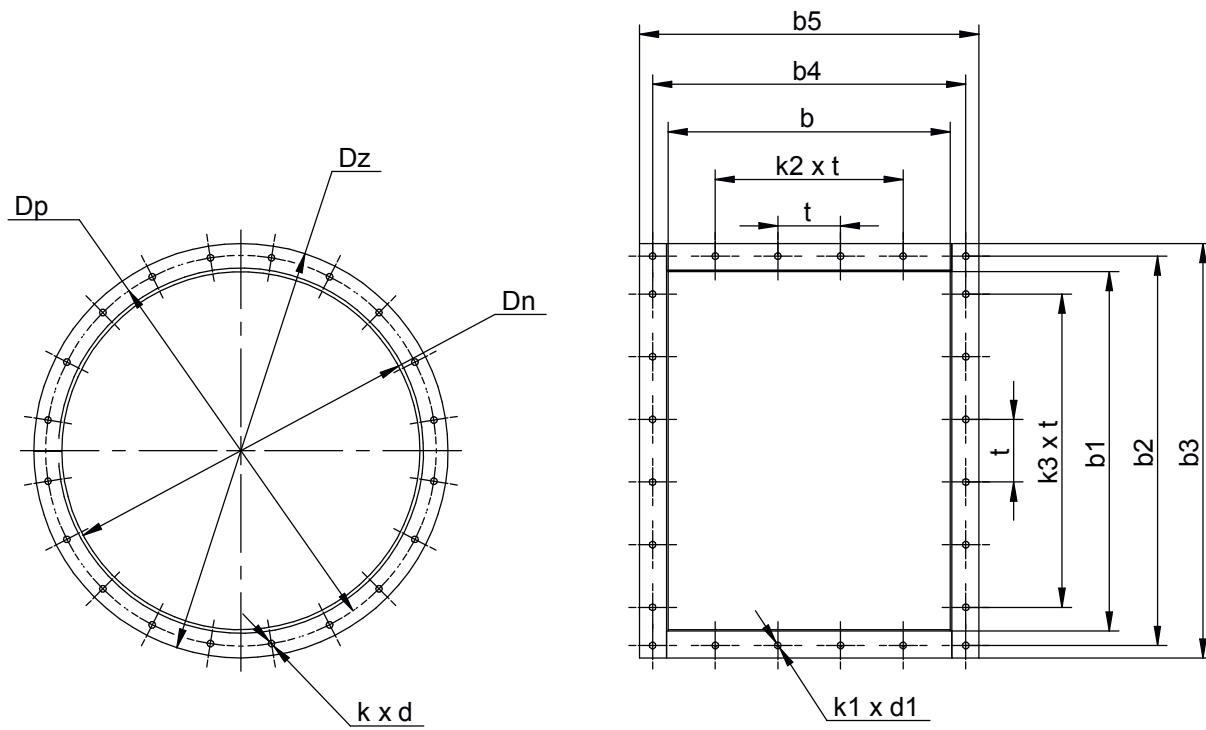
RD270

The drawing presents the fan in RD mounting position, LG is its mirror reflection.
Visual drawing. We reserve the right to implement changes.

FAN TYPE ZWPT 20-50 WITH COUPLING DRIVE (NAP.4)

ZWPT	Mo- tor po- wer [kW]	Motor size	e	e1	e2	s	s1	s2	s3	H1	H2	H3	H4	H1'	H2'	H3'	H4'	B	B1	B2	C	C1	C'	C1'	h	Wmin	d	n	Fan
																													weight
[mm]																													
																										[szt.]	[kg]		
20	0,75	80 1-2	230	258	106	480	246	320	105	400	400	400	400	658	762	703	668	620	702	643	890	1000	930	1000	80	85	14	7	120
	1,1	80 2-2																											130
	1,5	90S-2																											185
	2,2	90L-2																											190
	3	100L-2																											202
25	1,5	90L-4	291	320	123	480	281	380	121	450	450	450	450	770	898	830	784	620	788	719	1076	1230	1120	1230	80	85	14	7	270
	2,2	100L1-4																											400
	3	100L-2																											425
	5,5	132S1-2																											420
	7,5	132S2-2																											420
31,5	2,2	100L1-4	370	403	155	650	329	345	146	600	600	600	600	1003	1171	1077	1021	920	1061	965	1047	1160	1012	1160	80	85	14	7	400
	3	100L2-4																											425
	5,5	132S-4																											425
	11	160M-1-2																											425
	18,5	160L-2																											425
40	7,5	132M2-4	460	501	184	830	390	510	177	750	750	750	750	1251	1453	1345	1275	1040	1253	1145	1415	1530	1455	1530	140	85	14	7	510
	11	160M-4																											510
	15	160L-4																											510
	22	180L-4																											510
	30	200L1-2																											510
50	45	225M-2	582	625	232	830	489	560	214	890	890	890	890	1515	1775	1634	1546	1040	1541	1369	1690	1874	1740	1874	140	85	14	7	610
	11	160L-6																											610
	18,5	200L1-6																											610
	22	180L-4																											610
	37	225S-4																											610
50	45	225M-4	582	625	232	830	489	670	214	890	890	890	890	1515	1775	1634	1546	1040	1541	1369	1890	2100	1940	2100	140	85	14	7	790
	75	280S-2																											820
																													890

TECHNICAL DATA

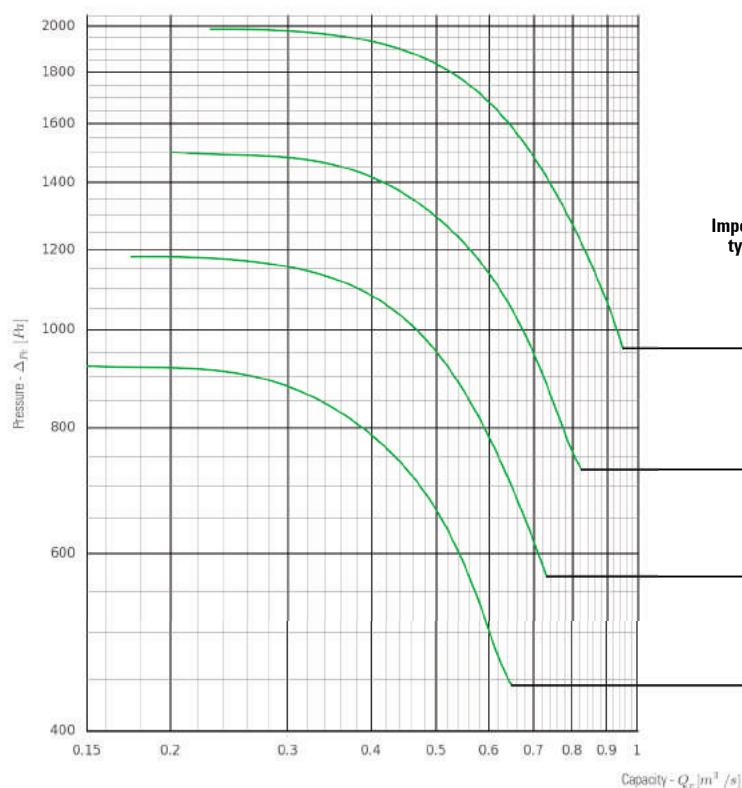


Visual drawing. We reserve the right to implement changes.

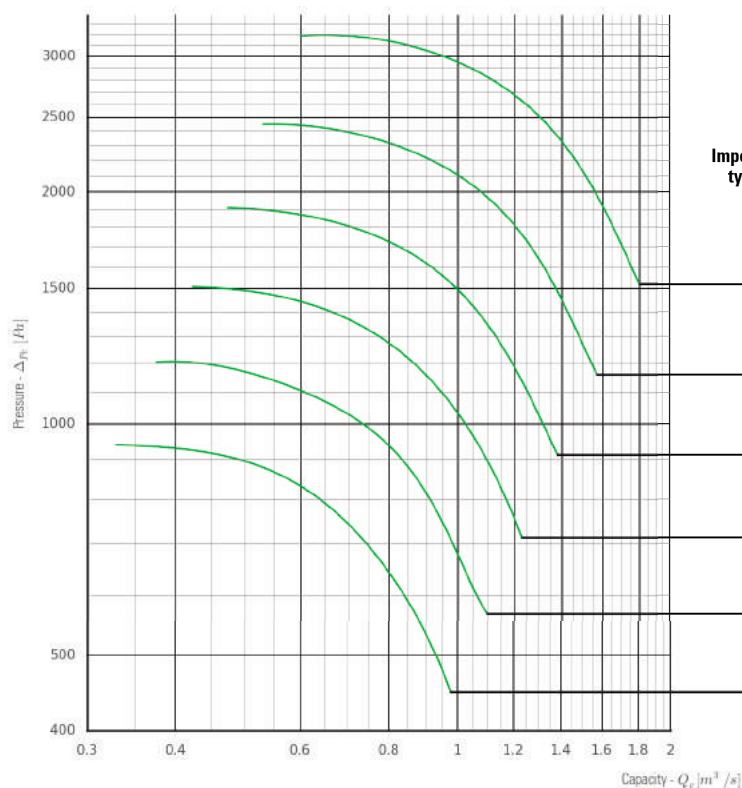
FLEXIBLE CONNECTIONS

ZWPT	Dn	Dp	Dz	b	b1	b2	b3	b4	b5	t	d	d1	k	k1	k2	k3
	[mm]												[szt.]			
20	200	239	264	160	200	238	264	185	224	140	10	10	8	8	-	1
25	250	289	314	190	250	288	314	228	254	140	10	10	8	8	-	1
31,5	315	361	394	236	315	359	401	280	322	140	12	12	8	12	1	1
40	400	446	484	300	400	444	486	344	388	140	12	12	12	12	1	1
50	500	573	624	275	500	570	606	445	483	140	14	15	16	16	1	3
63	630	703	754	475	630	700	758	545	603	140	M12	15	16	16	1	3

FLOW CHARACTERISTICS

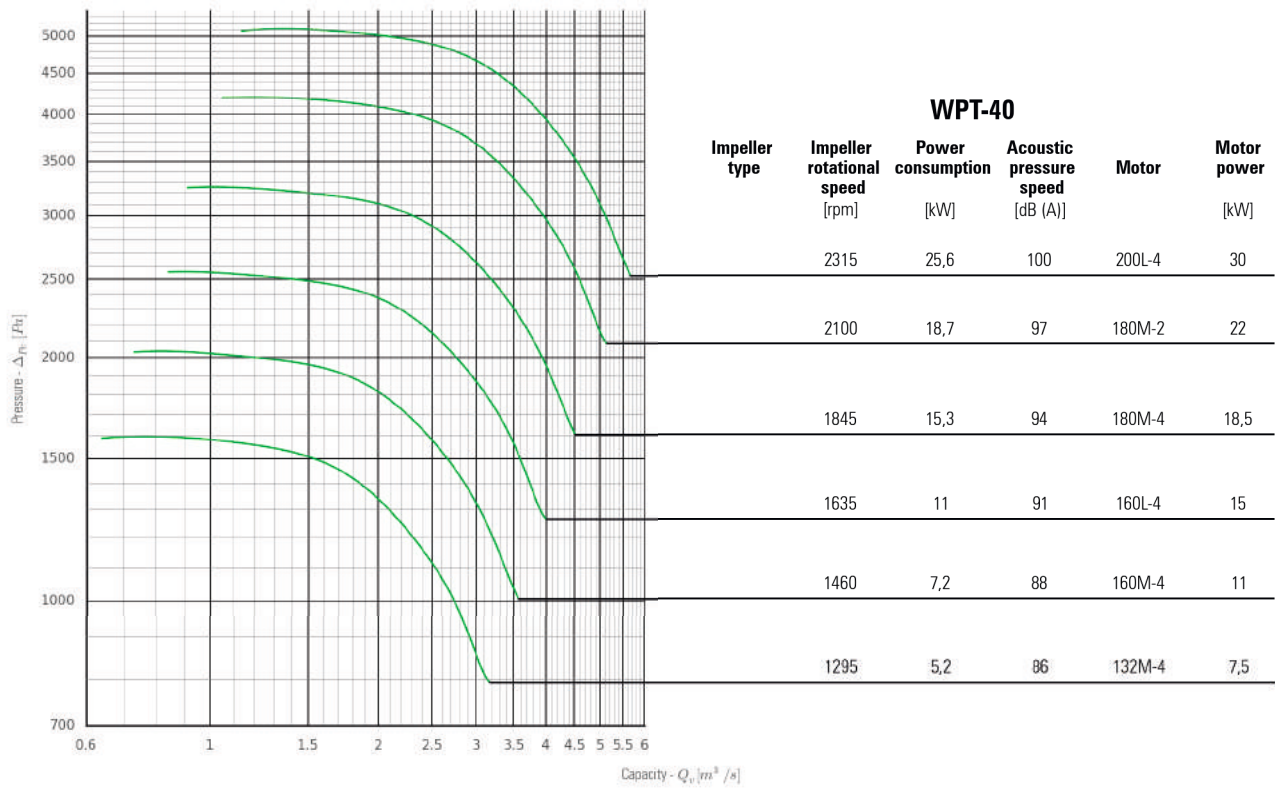
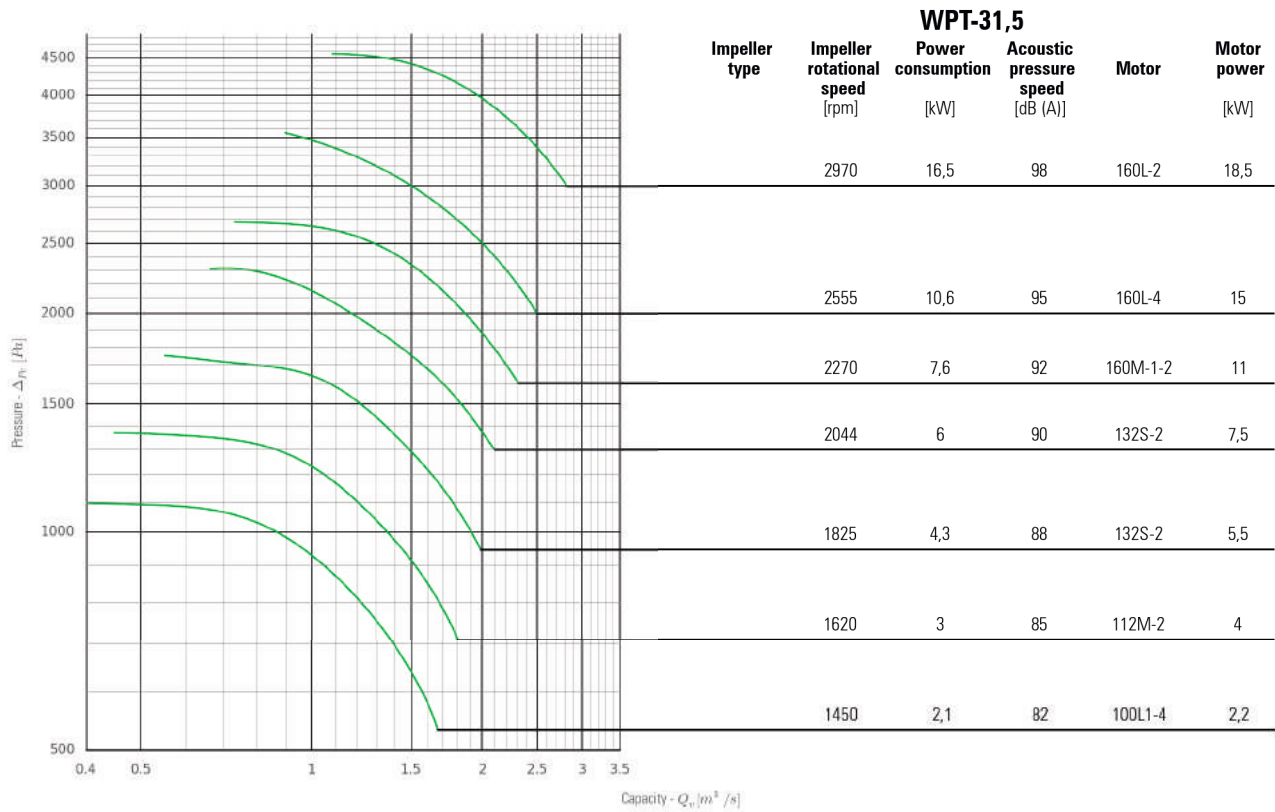


WPT-20					
Impeller type	Impeller rotational speed [rpm]	Power consumption [kW]	Acoustic pressure speed [dB (A)]	Motor	Motor power [kW]
	2880	2,1	85	100L-2	3
	2502	1,4	83	90L-2	2,2
	2220	1	80	90S-2	1,5
	1960	0,7	78	80-2B	1,1

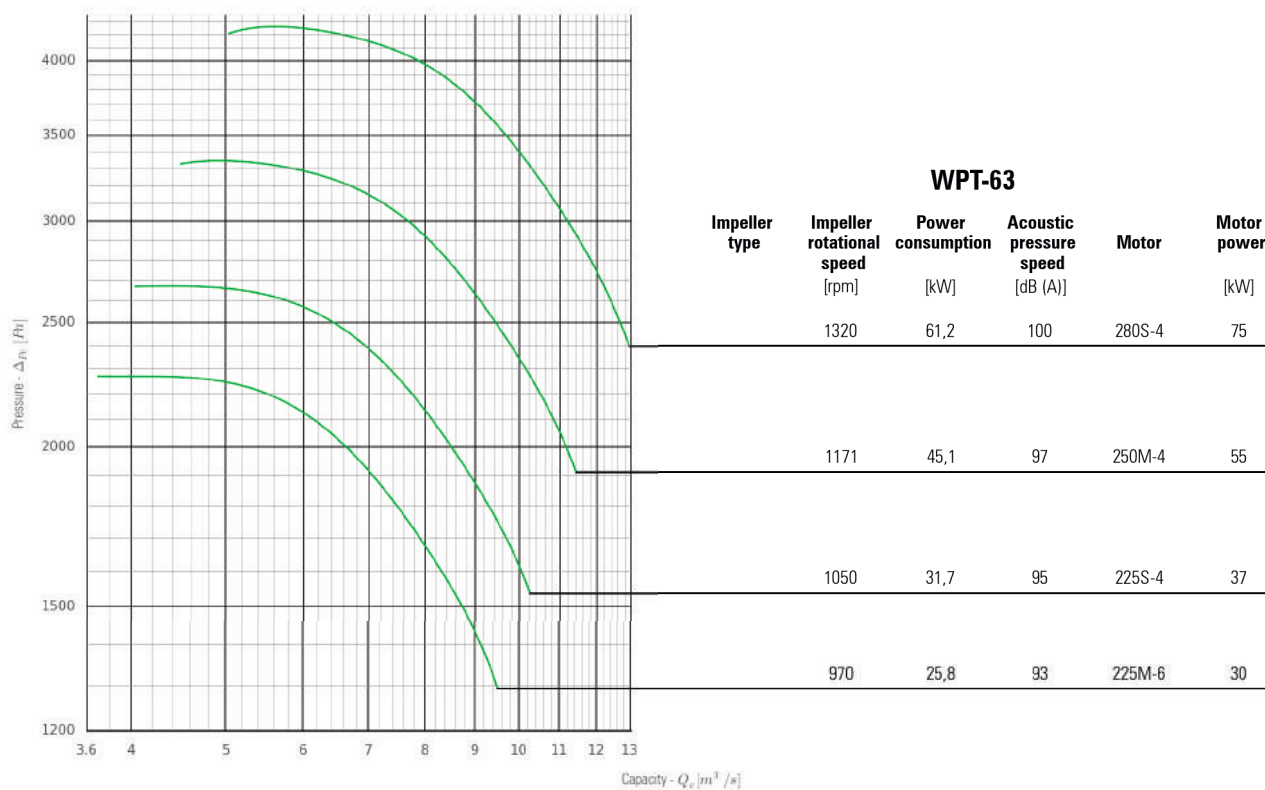
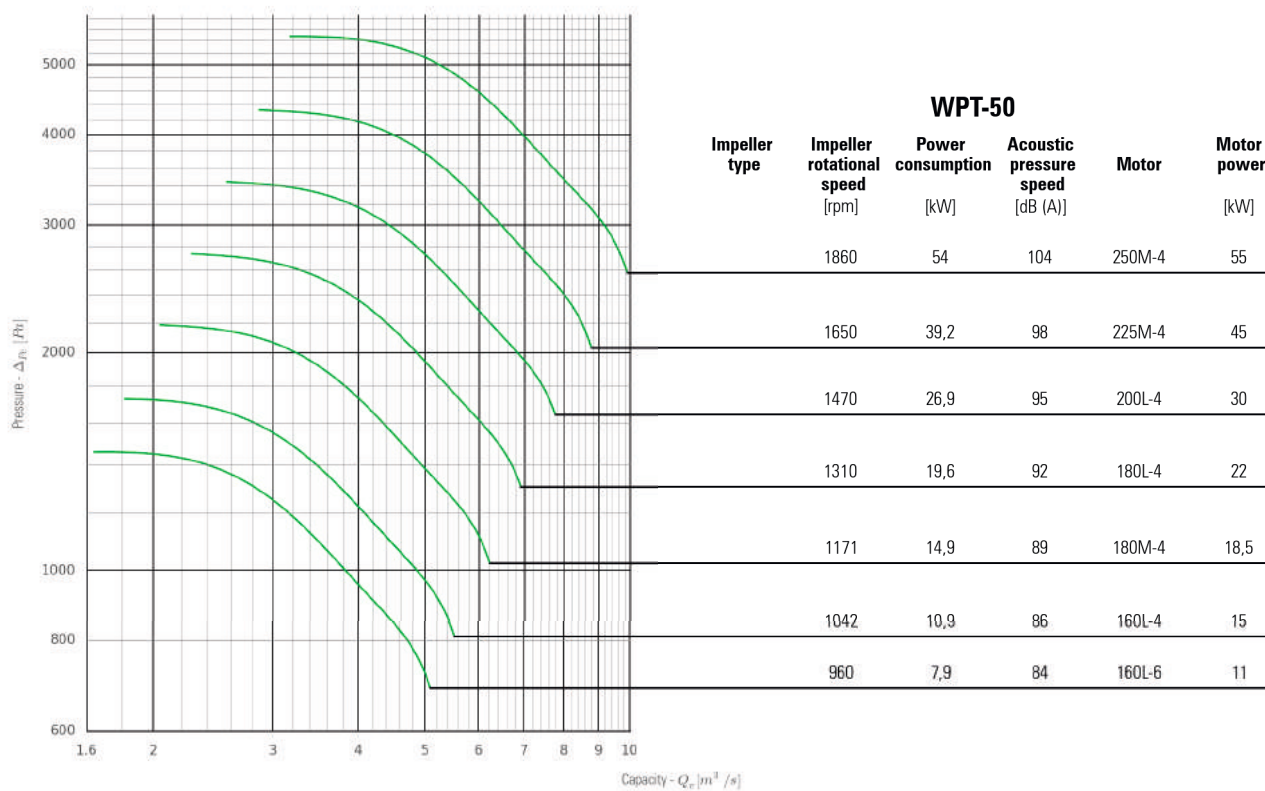


WPT-25					
Impeller type	Impeller rotational speed [rpm]	Power consumption [kW]	Acoustic pressure speed [dB (A)]	Motor	Motor power [kW]
	2920	6,1	94	132S2-2	7,5
	2550	3,96	91	132S1-2	5,5
	2250	2,9	88	100L-2	3
	2000	2,1	85	100L-2	3
	1785	1,55	82	90L-2	2,2
	1585	1,12	79	90S-2	1,5

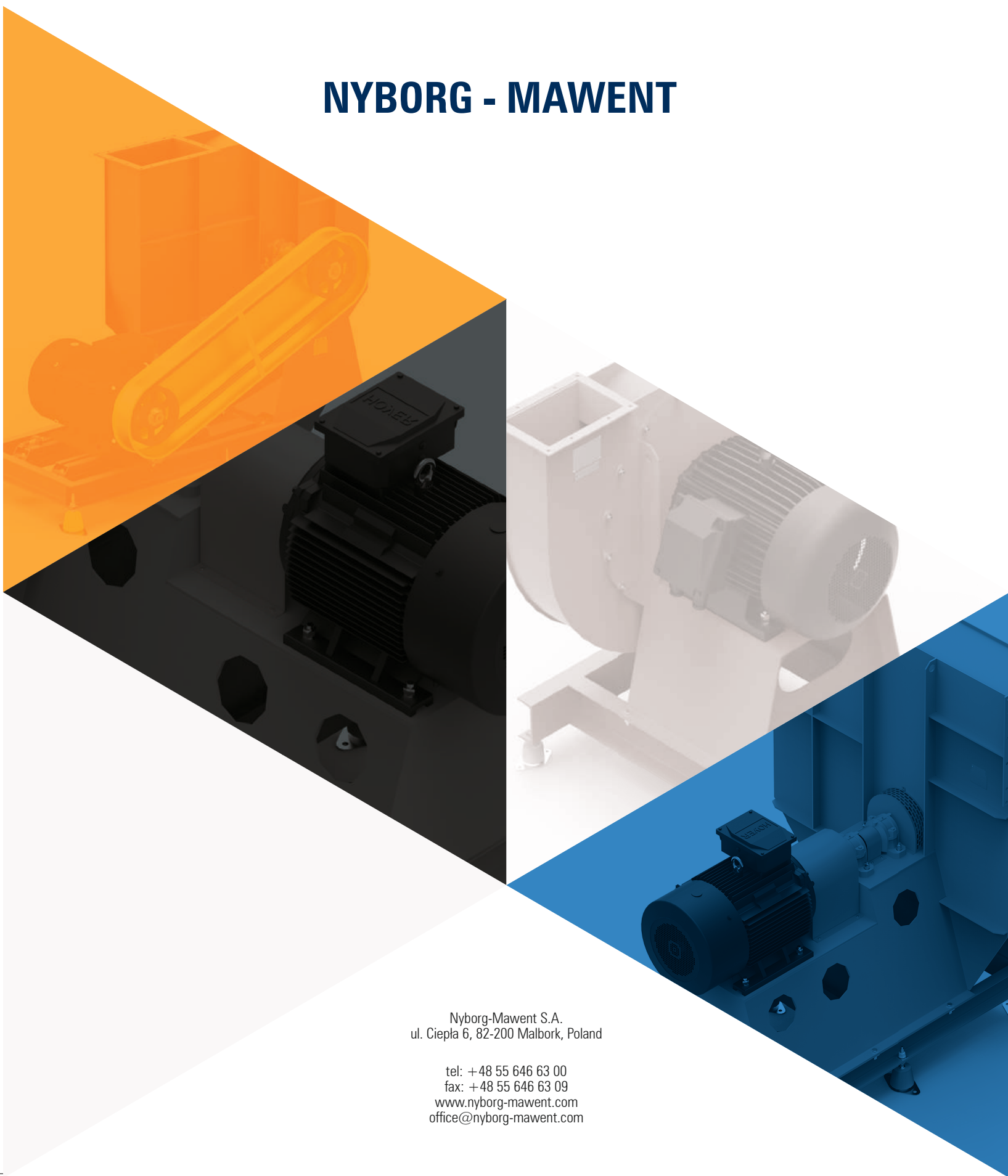
FLOW CHARACTERISTICS



FLOW CHARACTERISTICS



NYBORG - MAWENT



Nyborg-Mawent S.A.
ul. Ciepła 6, 82-200 Malbork, Poland

tel: +48 55 646 63 00
fax: +48 55 646 63 09
www.nyborg-mawent.com
office@nyborg-mawent.com