

APPLICATIONS

Centrifugal fans are classified into three main groups; low, medium and high pressure.

DESIGN

The design is based on three main groups, low, medium and high pressure.

The fan impeller is designed and shaped in accordance with its application, conditioned by the required air volume and pressure drop.

The impellers are classified into four main groups. Also tailor made solutions are available like spark proof design.

EXECUTION

LSV and MSV are manufactured in sea water resistant aluminium and painted.

Stainless steel / Aisi 316 execution or steel, galvanized or painted are delivered on request.

The impeller is made of salt- and ammonia resistant aluminium, aerodynamically shaped and balanced. In four main groups:

Type B: Backward, convex curved blades

Type F: Forward curved blades, Sciroccio wheel

Type Z: Backward, concave curved blades, self cleaning

Type R: Radial blades, for transportation fan

The air capacities vary **from 1000 to 240 000 m³/h.**

ELECTRIC MOTOR

The fans are usually supplied with standard squirrel caged inductive electric motor. They may also be supplied with other types of electric motors, like explosion proof or 2-speed motors.

ACCESSORIES

- Vibration dampers
- Flexible connections inlet/outlet
- Motor pedestal (required for heavy motors)
- Flanged inlet
- Contra flange inlet/outlet
- Protection grid inlet/outlet
- Base frame (belt driven execution only)
- Inspection hatch
- Ex – execution with anti-spark track

SPECIAL DESIGNS

- Belt driven execution



NYBORG - MAWENT

NYBORG-MAWENT S.A.
ul. Ciepła 6, 82-200 Malbork
tel.: +48 55 646 63 00
fax: +48 55 646 63 09
office@nyborg-mawent.com
www.nyborg-mawent.com

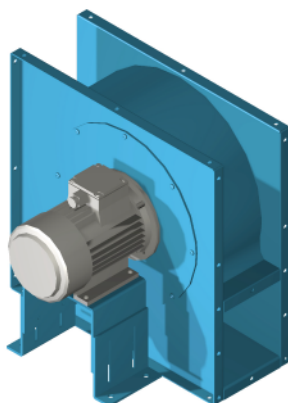


NYBORG AS
N-6230 Sykkylven, Norway
tel.: +47 70 25 40 80
fax: +47 70 25 29 08
office@nyborgfan.com
www.nyborgfan.com

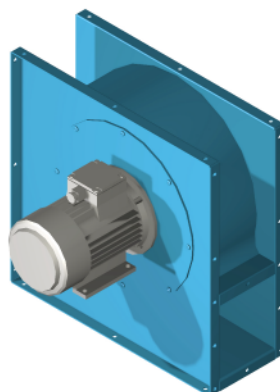


CENTRIFUGAL FANS

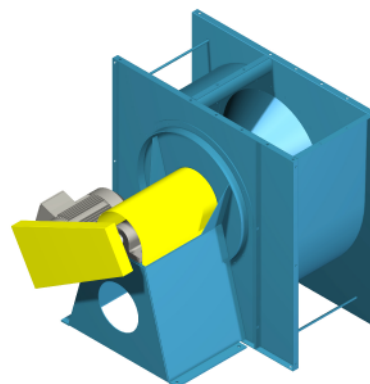
LSV - B1



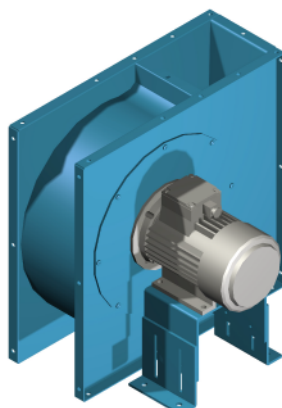
LSV - B1



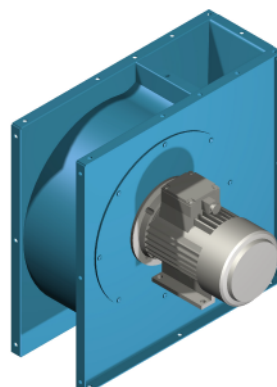
LSV - B3



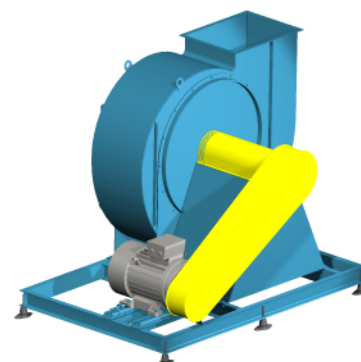
MSV - B1



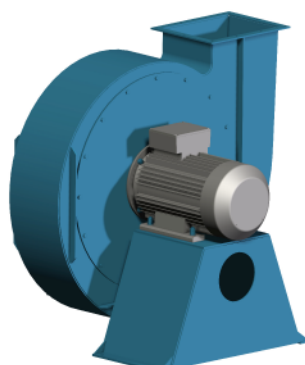
MSV - B1



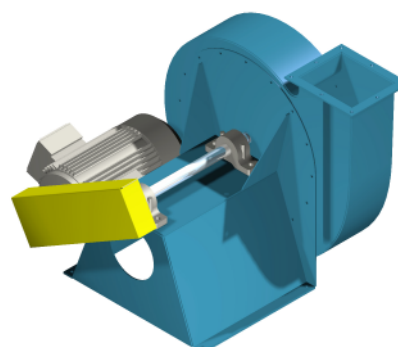
MSV - B2



HSV - B1



HSV - B3



NYBORG-MAWENT S.A.
ul. Ciepła 6, 82-200 Malbork
tel.: +48 55 646 63 00
fax: +48 55 646 63 09
office@nyborg-mawent.com
www.nyborg-mawent.com



NYBORG AS
N-6230 Sykkylven, Norway
tel.: +47 70 25 40 80
fax: +47 70 25 29 08
office@nyborgfan.com
www.nyborgfan.com

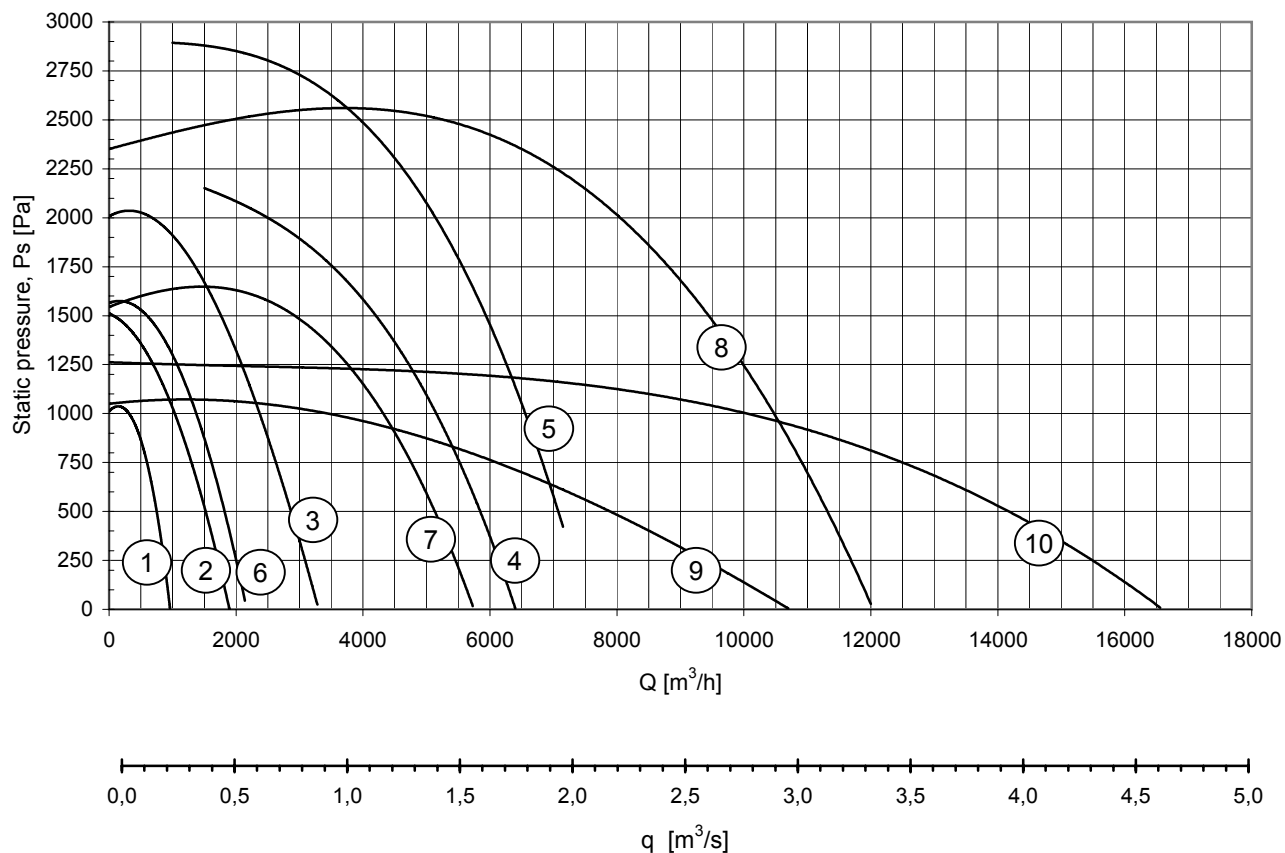


CENTRIFUGAL FANS

selection curves

(50Hz)

LSV and MSV



Curve	Fan	rpm	Fan power cons. [kW]	Sound press. [dBA] 1m	Motor	Motor power [kW]	Current [A] (400V)	Current [A] (230V)
1	MSV 125 B1	2900	0,34	70	71M02K	0,37	1,05	1,9
2	MSV 160 B1	2900	0,58	75	80M02K	0,86	1,85	3,35
3	MSV 200 B1	2900	1,18	79	90S02	1,5	3,5	6,1
4	MSV 250 B1	2900	3,4	85	112M02	4	8,2	14,2
5	MSV 315 B1	2900	5,5	88	132S02K	5,5	11,7	19,6
6	LSV 250 B1	2900	0,88	75	80M02	1,1	2,55	4,4
7	LSV 315 B1	2900	1,92	81	90L02	2,2	4,8	8,4
8	LSV 400 B1	2900	7,5	88	132S02	7,5	15	25,5
9	LSV 500 B1	1450	2,4	76	100L04	3	7	12
10	LSV 600 B1	1450	3,8	81	112M04	4	9,3	16

nybmw_06-01
01.mar.06



NYBORG-MAWENT S.A.
ul. Ciepła 6, 82-200 Malbork
tel.: +48 55 646 63 00
fax: +48 55 646 63 09
office@nyborg-mawent.com
www.nyborg-mawent.com



NYBORG AS
N-6230 Sykkylven, Norway
tel.: +47 70 25 40 80
fax: +47 70 25 29 08
office@nyborgfan.com
www.nyborgfan.com

LSV and MSV

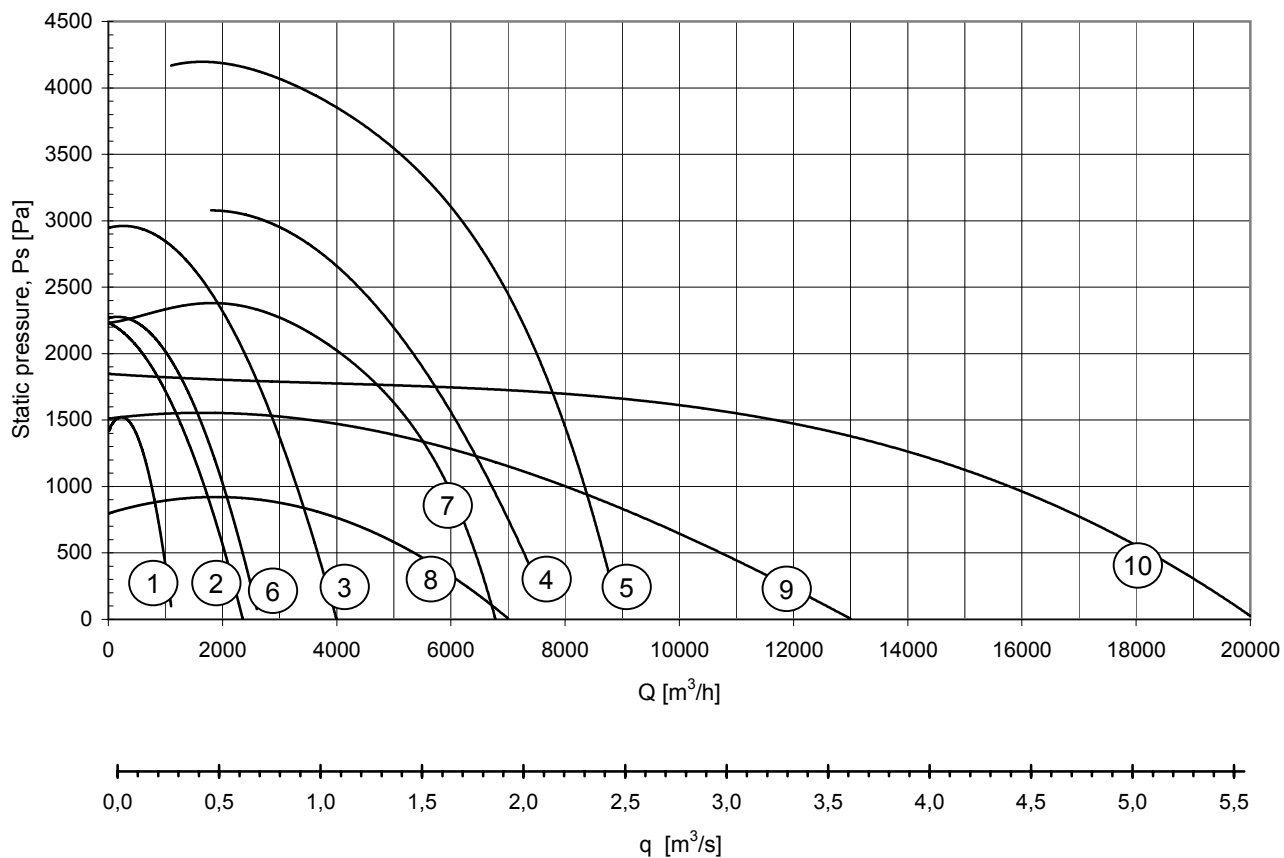


CENTRIFUGAL FANS

selection curves

(60Hz)

LSV and MSV



Curve	Fan	rpm	Fan power cons. [kW]	Sound press. [dBA] 1m	Motor	Motor power [kW]	Current [A] (440V)
1	MSV 125 B1	3500	0,58	75	71M02	0,63	1,4
2	MSV 160 B1	3500	1,02	80	80M02	1,3	2,5
3	MSV 200 B1	3500	2,08	83	90L02	2,55	4,8
4	MSV 250 B1	3500	6,1	89	112M02	6,3	11
5	MSV 315 B1	3500	9,6	93	132M02	12,6	20,6
6	LSV 250 B1	3500	1,55	82	90S02	1,75	3,4
7	LSV 315 B1	3500	3,4	85	100L02	3,45	6,3
8	LSV 400 B1	1750	1,55	72	90L04	1,75	3,6
9	LSV 500 B1	1750	4,2	79	112M04	4,6	8,8
10	LSV 600 B1	1750	6,7	84	132M04	8,6	16

nybmw_06-02
01.mar.06



NYBORG-MAWENT S.A.
ul. Ciepła 6, 82-200 Malbork
tel.: +48 55 646 63 00
fax: +48 55 646 63 09
office@nyborg-mawent.com
www.nyborg-mawent.com

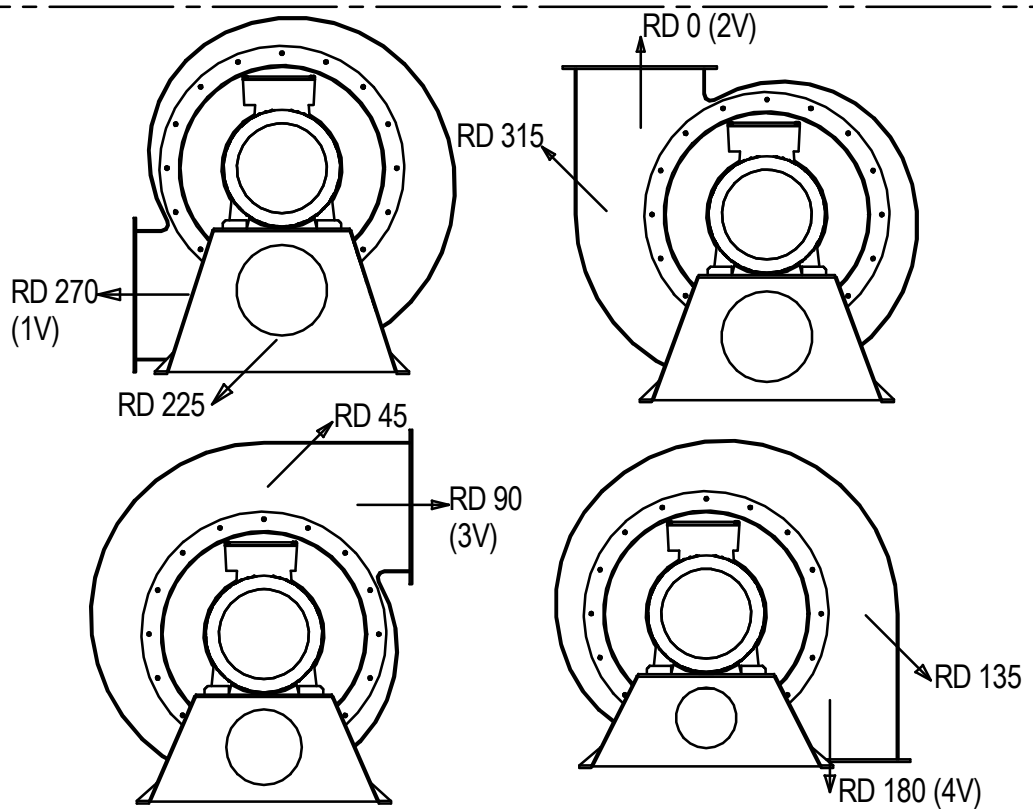
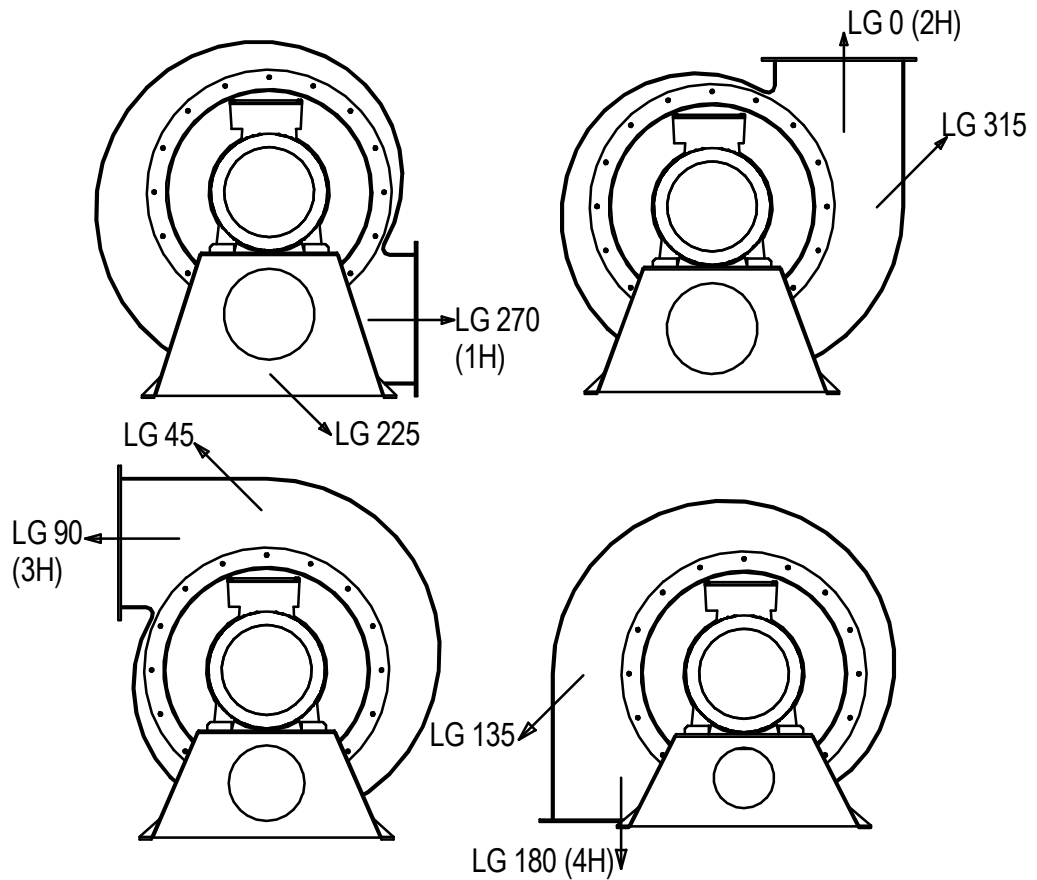


NYBORG AS
N-6230 Sykkylven, Norway
tel.: +47 70 25 40 80
fax: +47 70 25 29 08
office@nyborgfan.com
www.nyborgfan.com

LSV and MSV



MOUNTING POSITIONS IN ACCORDANCE TO EUROVENT CENTRIFUGAL FANS



06.12.00

F. Østro
4-2013-1



NYBORG - MAWENT

NYBORG-MAWENT S.A.
ul. Ciepła 6, 82-200 Malbork
tel.: +48 55 646 63 00
fax: +48 55 646 63 09
office@nyborg-mawent.com
www.nyborg-mawent.com



NYBORG AS
N-6230 Sykkylven, Norway
tel.: +47 70 25 40 80
fax: +47 70 25 29 08
office@nyborgfan.com
www.nyborgfan.com



Centrifugal Fans

Explanation of Fan Model Number

Fan model number is stated in the following way: Centrifugal Fan model MSV 160 B1.

MSV	160	B	1
figure no 1-3	Figure no 4-6	7	8

1. - 3. figure:

LSV : Low pressure centrifugal fan
MSV : Medium pressure centrifugal fan
HSV, HZV, HRV : High pressure centrifugal fan

4. -6. figure:

The size of the fan.

The numbers refers to nominal diameter (mm) on the fan's suction flange.

8.figure

- 1: Direct driven. impeller mounted on motor shaft
- 2: Belt driven. motor placed alongside the fan
- 3: Belt driven. motor mounted on the fan, belt screened



NYBORG-MAWENT S.A.
ul. Ciepła 6, 82-200 Malbork
tel.: +48 55 646 63 00
fax: +48 55 646 63 09
office@nyborg-mawent.com
www.nyborg-mawent.com



NYBORG AS
N-6230 Sykkylven, Norway
tel.: +47 70 25 40 80
fax: +47 70 25 29 08
office@nyborgfan.com
www.nyborgfan.com



SOUND POWER LEVELS (SWL) CALC. NYBORG CENTRIFUGAL FANS

FAN DATA			dB values at centre Hz								Theor
FAN MODEL	Rpm	Impeller	63	125	250	500	1000	2000	4000	8000	dB A
LSV 250 B	1450	B12x300x80	80	72	70	62	62	57	54	52	57
LSV 250 B	2900	B12x300x80	90	93	85	84	76	75	71	67	75
LSV 315 B	1450	B12x350x100	84	76	74	66	66	61	58	56	61
LSV 315 B	2900	B12x350x100	96	99	91	90	82	81	77	73	81
LSV 400 B	1450	B6x450x100	92	84	82	74	74	69	66	64	70
LSV 500 B	1450	B7x550x125	98	90	88	80	80	75	72	70	76
LSV 600 B	1450	B7x650x140	103	95	93	85	85	80	77	75	81
MSV 125 B	2900	B9x250x50	85	88	80	79	71	70	66	62	70
MSV 160 B	2900	B12x300x60	89	92	84	83	75	74	70	66	75
MSV 200 B	1450	B12x350x70	83	75	73	65	66	60	57	55	60
MSV 200 B	2900	B12x350x70	97	100	92	91	83	82	78	74	79
MSV 250 B	1450	B12x400x80	88	80	78	70	70	65	63	60	65
MSV 250 B	2900	B12x400x80	100	103	95	94	86	85	81	77	85
MSV 315 B	1450	B12x450x90	91	83	81	73	73	68	65	63	69
MSV 315 B	2900	B12x450x90	103	106	98	97	89	88	84	80	88

- Sound power levels in dB. ref. 10⁻¹² W, internal values in fan openings.
- dBA values applies to 1 m. distance based on a theoretical free field environment.
- The sound power level values above are only intended as a guide, and may be used for calculations for sound pressure levels. (heard by the human ear).



NYBORG - MAWENT

NYBORG-MAWENT S.A.
ul. Ciepła 6, 82-200 Malbork
tel.: +48 55 646 63 00
fax: +48 55 646 63 09
office@nyborg-mawent.com
www.nyborg-mawent.com



NYBORG AS
N-6230 Sykkylven, Norway
tel.: +47 70 25 40 80
fax: +47 70 25 29 08
office@nyborgfan.com
www.nyborgfan.com



SOUND POWER LEVELS (SWL) CALC. NYBORG CENTRIFUGAL FANS

FAN DATA			dB values at centre Hz								Theor
FAN MODEL	Rpm	Impeller	63	125	250	500	1000	2000	4000	8000	dBa
LSV 250 B	1750	B12x300x80	82	76	74	67	65	61	58	55	61
LSV 250 B	3500	B12x300x80	95	98	93	90	84	81	77	74	82
LSV 315 B	1750	B12x350x100	85	79	77	70	68	64	61	58	64
LSV 315 B	3500	B12x350x100	98	101	96	93	87	84	80	77	85
LSV 400 B	1750	B6x450x100	93	87	85	78	76	72	69	66	72
LSV 500 B	1750	B7x550x125	99	93	91	84	82	78	75	72	79
LSV 600 B	1750	B7x650x140	104	98	96	89	87	83	80	77	84
MSV 125 B	3500	B9x250x50	89	92	87	84	78	75	71	68	75
MSV 160 B	3500	B12x300x60	94	97	92	89	83	80	76	63	80
MSV 200 B	1750	B12x350x70	84	78	76	69	67	63	60	57	63
MSV 200 B	3500	B12x350x70	97	100	95	93	86	83	79	76	83
MSV 250 B	1750	B12x400x80	90	84	82	75	73	69	66	63	70
MSV 250 B	3500	B12x400x80	102	105	100	97	91	88	84	81	89
MSV 315 B	1750	B12x450x90	94	88	86	79	77	73	70	67	73
MSV 315 B	3500	B12x450x90	106	109	104	101	95	92	88	85	93

- Sound power levels in dB. ref. 10⁻¹² W, internal values in fan openings.
- dBA values applies to 1 m. distance based on a theoretical free field environment.
- The sound power level values above are only intended as a guide, and may be used for calculations for sound pressure levels. (heard by the human ear).



NYBORG - MAWENT

NYBORG-MAWENT S.A.
ul. Ciepła 6, 82-200 Malbork
tel.: +48 55 646 63 00
fax: +48 55 646 63 09
office@nyborg-mawent.com
www.nyborg-mawent.com



NYBORG AS
N-6230 Sykkylven, Norway
tel.: +47 70 25 40 80
fax: +47 70 25 29 08
office@nyborgfan.com
www.nyborgfan.com



PAINTING SPECIFICATION ALUMINIUM FANS

Surface preparation:

Step No	Description	Thickness	Type	Manufacturer
1	Washing	-	Aluminate (acid)	Alu-Nor
2	Cleaning	-	Water	-

Painting : Color RAL 5012

Step No	Description	Thickness	Type	Manufacturer
1	Primer	30 my	Joton Washprimer	Jotun
2	Topcoat	40 my	Jotun Ultra Topcoat	Jotun

GALVANIZE SPECIFICATION STEEL FANS

Surface preparation:

Step No	Description	Thickness	Type	Manufacturer
1	Cleaning	-	Nitric acid	-
2	Galvanizing	80my	Zn	-



NYBORG - MAWENT

NYBORG-MAWENT S.A.
ul. Ciepła 6, 82-200 Malbork
tel.: +48 55 646 63 00
fax: +48 55 646 63 09
office@nyborg-mawent.com
www.nyborg-mawent.com

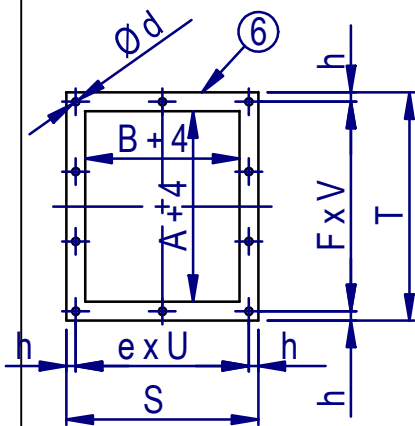
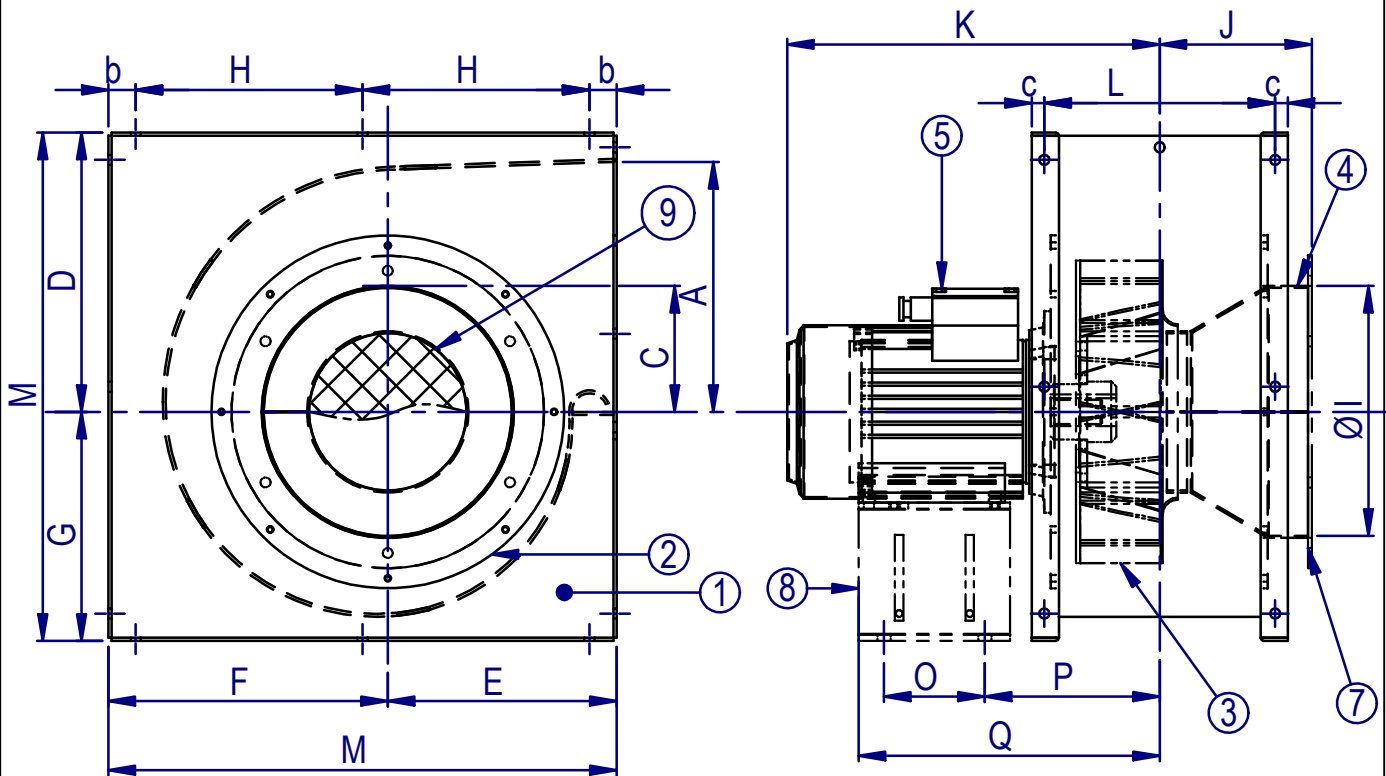


NYBORG AS
N-6230 Sykkylven, Norway
tel.: +47 70 25 40 80
fax: +47 70 25 29 08
office@nyborgfan.com
www.nyborgfan.com

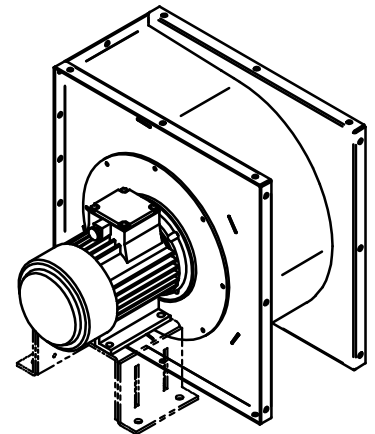


LOW PRESSURE CENTRIFUGAL FAN Dimension Drawing

LSV - B1



	Contra flange, Inlet	option
	Contra flange, Outlet	option
9	Wire guard, Inlet	option
8	Motor pedestall	required for heavy motors
7	Flange inlet	option
6	Flange outlet	
5	El. motor	
4	Conn.piece, collar in	
3	impeller	
2	inlet cone	
1	Fan housing	
Item	Description	Remarks



Material: Alum.5052 (Option:AISI 316L)

Fan Size $\varnothing I$	A	B	C	D	E	F	G	H	J	K	L	M	weight [kg] excl. motor
250	248	200	125	277	227	277	227	225	146		229	504	10,5
315	296	230	150	327	272	307	252	262,5	161		258	579	13
400	405	298	200	433	353	413	333	350	197		334	766	24
500	494	384	250	533	403	543	413	440	250		420	946	34
600	600	460	300	633	503	623	493	530	288		496	1126	51
	b	c	d	e	f	h	U	V	S	T	O	P	Q
250	27	12,5	10	2	3	12,5	114,5	92,5	254	304			
315	27	12,5	10	2	3	12,5	129	108,5	284	350			
400	33	15	12	2	4	15	167	110	364	470			
500	33	15	12	3	4	15	140	132,5	450	560			
600	33	15	12	3	4	15	165,3	159	526	666			

4-2248

5/8-05
K.Klokk



NYBORG - MAWENT

NYBORG-MAWENT S.A.
ul. Ciepła 6, 82-200 Malbork
tel.: +48 55 646 63 00
fax: +48 55 646 63 09
office@nyborg-mawent.com
www.nyborg-mawent.com



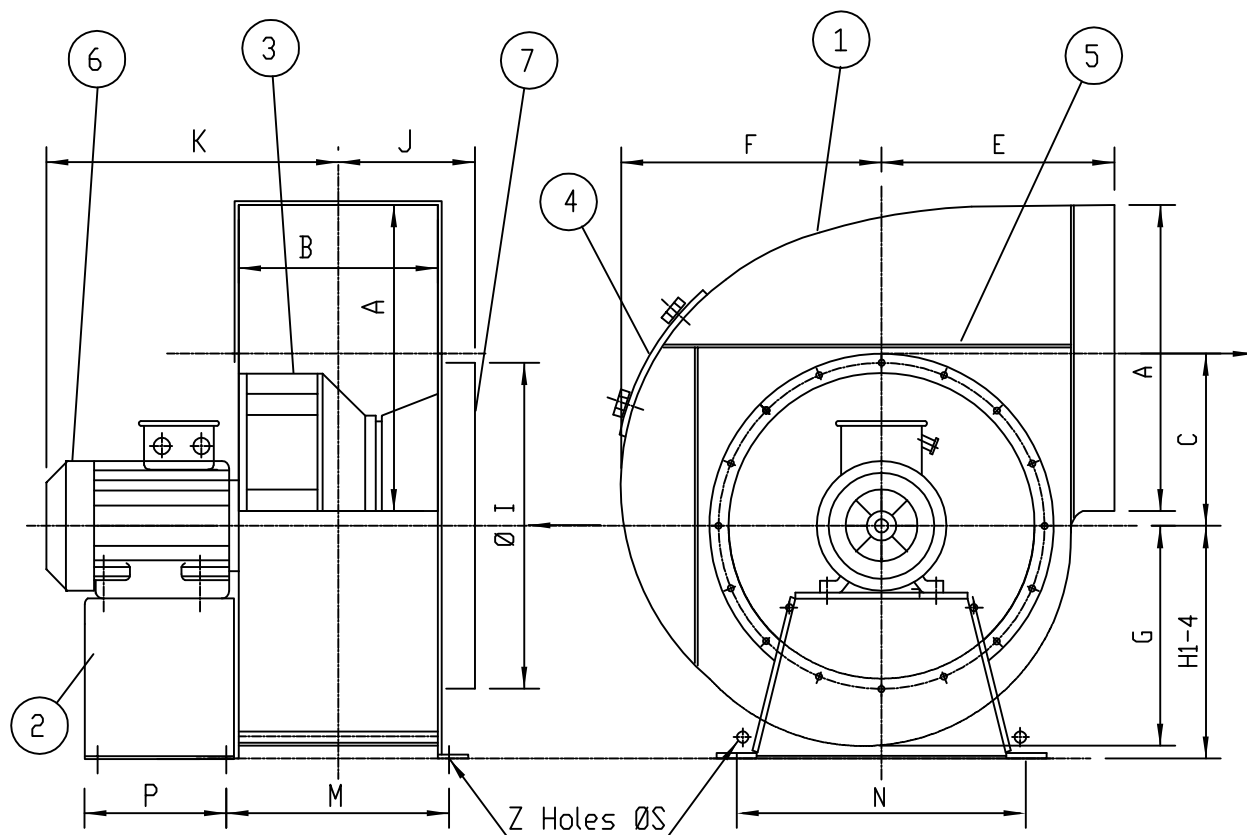
NYBORG AS
N-6230 Sykkylven, Norway
tel.: +47 70 25 40 80
fax: +47 70 25 29 08
office@nyborgfan.com
www.nyborgfan.com

LSV - B1



LOW PRESSURE CENTR. FAN
Direct Driven

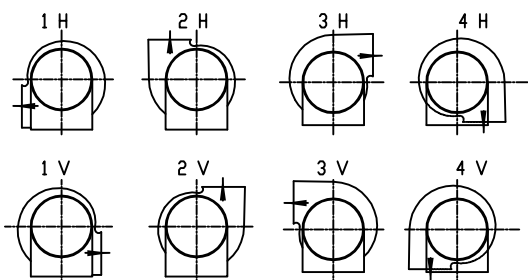
LSV-B1



SIZE NO	A= ØI	B	C	E	F	G	H1	H2	H3	H4	J	M	N	P	T	Z	S
700	700	548	400	500	625	530	800	650	550	460	330	695	760	400	4	4	14
800	800	620	450	540	680	575	900	750	650	500	365	765	850	350	4	4	14
900	900	706	500	600	755	635	1000	800	700	550	400		900		4	4	18
1000	1000	788	550	700	850	710	1100	900	750	650	475		1000		4	4	22

MOUNTING POSITIONS

To be seen against the inlet



- ① FAN HOUSING.
Matl.:
- ② MOTOR PEDESTAL.
Matl.:
- ③ FAN IMPELLER.
Matl.: Salt and amoniaresistive alum. alloy.
- ④ INSPECTION HATCH.
Matl.:
- ⑤ REINFORCEMENTS.
Matl.:
- ⑥ EL.MOTOR: Model:
kW: Rpm: V: Hz:
- ⑦ INLET CONE.
Matl.:

26.03.92

AMM

LSVB1BG



NYBORG-MAWENT S.A.
ul. Ciepla 6, 82-200 Malbork
tel.: +48 55 646 63 00
fax: +48 55 646 63 09
office@nyborg-mawent.com
www.nyborg-mawent.com



NYBORG AS
N-6230 Sykkylven, Norway
tel.: +47 70 25 40 80
fax: +47 70 25 29 08
office@nyborgfan.com
www.nyborgfan.com

LSV-B1

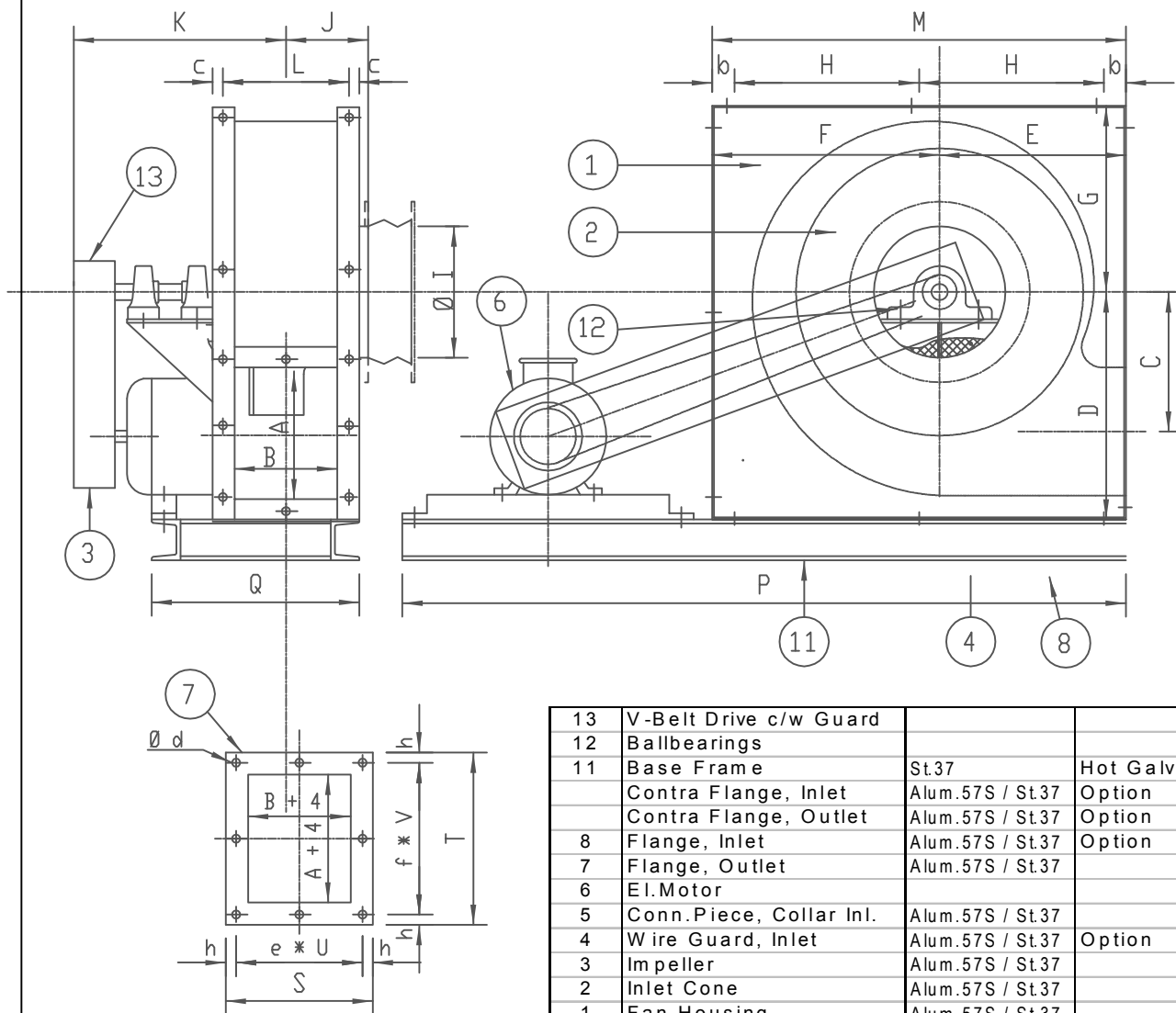


MEDIUM PRESSURE CENTRIFUGAL FAN

Belt Drive Design
Dimension Drawing

MSV - B2

Bearing Pedestal



13	V-Belt Drive c/w Guard		
12	Ballbearings		
11	Base Frame	St.37	Hot Galv.
	Contra Flange, Inlet	Alum.57S / St.37	Option
	Contra Flange, Outlet	Alum.57S / St.37	Option
8	Flange, Inlet	Alum.57S / St.37	Option
7	Flange, Outlet	Alum.57S / St.37	
6	El.Motor		
5	Conn.Piece, Collar Inl.	Alum.57S / St.37	
4	Wire Guard, Inlet	Alum.57S / St.37	Option
3	Impeller	Alum.57S / St.37	
2	Inlet Cone	Alum.57S / St.37	
1	Fan Housing	Alum.57S / St.37	
Item	Description	Material	Remarks

Fan Size $\emptyset I$	A	B	C	D	E	F	G	H	J	K	L	M	
125	130	100	140	229	180	244	195	370	75		124	424	
160	156	125	170	277	227	277	227	225	100		154	504	
200	188	160	204	327	272	307	252	262,5	125		189	579	
250	250	190	233	392	282	392	282	305	145		224	674	
315	296	253	250	433	353	413	333	350	175		289	766	
	b	c	d	e	f	h	U	V	S	T	O	P	Q
125	22	10	9,5	1	1	10	124	154	144	174			
160	27	12,5	9,5	2	2	12,5	77	92,5	179	210			
200	27	12,5	9,5	2	2	12,5	94,5	108,5	214	242			
250	32	15	12	2	2	15	112	142	254	314			
315	33	15	12	2	3	15	144,5	110	319	360			

Date :08/12-95

4-1140-m

Drawn : R.Berge



NYBORG - MAWENT

NYBORG-MAWENT S.A.
ul. Ciepla 6, 82-200 Malbork
tel.: +48 55 646 63 00
fax: +48 55 646 63 09
office@nyborg-mawent.com
www.nyborg-mawent.com



NYBORG AS
N-6230 Sykkylven, Norway
tel.: +47 70 25 40 80
fax: +47 70 25 29 08
office@nyborgfan.com
www.nyborgfan.com

MSV - B2

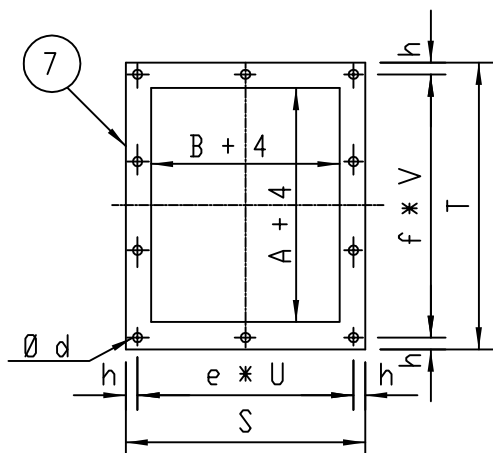
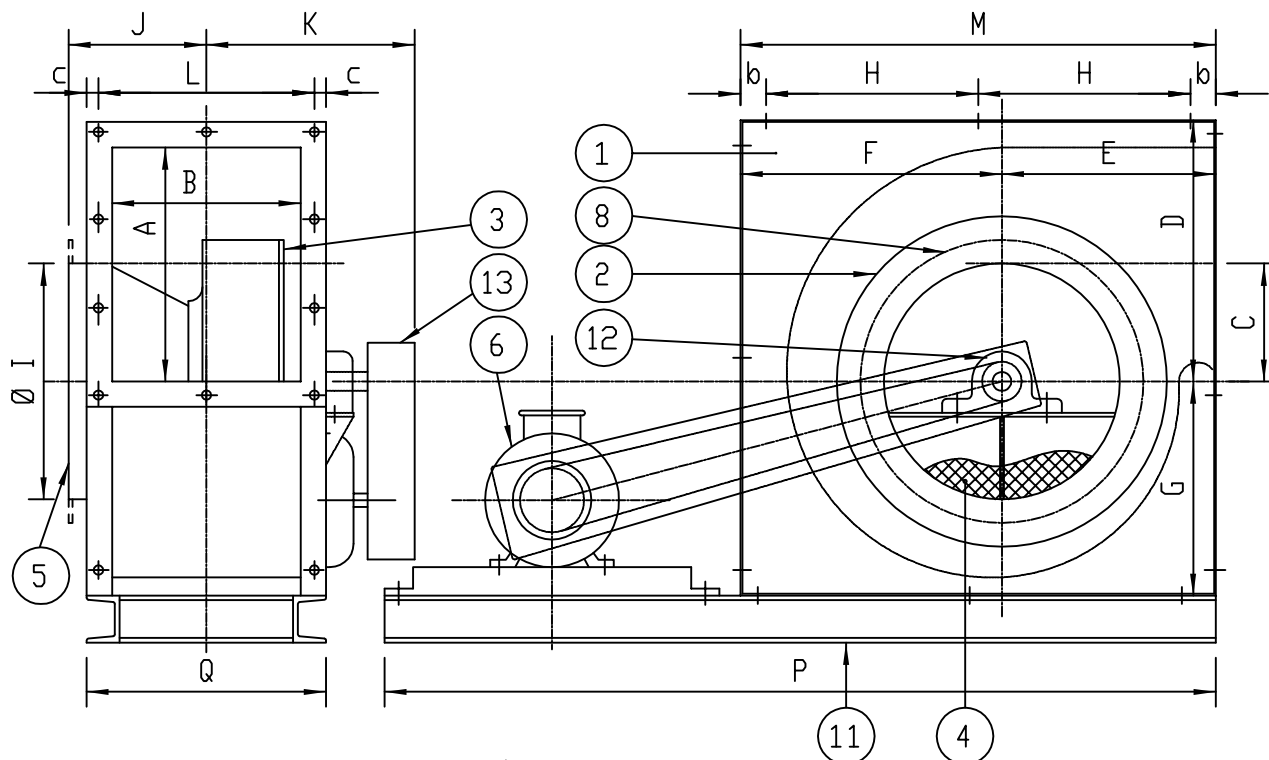
Medium Pressure
Centrifugal Fan



LOW PRESSURE CENTRIFUGAL FAN Belt Drive Design Dimension Drawing

LSV - B2

Bearings in Inlet Cone



13	V-Belt Drive c/w Guard		
12	Ballbearings		
11	Base Frame	St.37	Hot Galv.
	Contra Flange, Inlet	Alum.57S / St.37	Option
	Contra Flange, Outlet	Alum.57S / St.37	Option
8	Flange, Inlet	Alum.57S / St.37	Option
7	Flange, Outlet	Alum.57S / St.37	
6	El.Motor		
5	Conn.Piece, Collar Inl.	Alum.57S / St.37	
4	Wire Guard, Inlet	Alum.57S / St.37	Option
3	Impeller	Alum.57S / St.37	
2	Inlet Cone	Alum.57S / St.37	
1	Fan Housing	Alum.57S / St.37	
Item	Description	Material	Remarks

Fan Size Ø I	A	B	C	D	E	F	G	H	J	K	L	M	
250	248	200	125	277	227	277	227	225	146		229	504	
315	296	230	150	327	272	307	252	262,5	161		258	579	
400	405	298	200	433	353	413	333	350	197		334	766	
500	494	384	250	533	403	543	413	440	250		420	946	
600	600	460	300	633	503	623	493	530	288		496	1126	
	b	c	d	e	f	h	U	V	S	T	O	P	Q
250	27	12,5	10	2	3	12,5	114,5	92,5	254	304			
315	27	12,5	10	2	3	12,5	129	108,5	284	350			
400	33	15	12	2	4	15	167	110	364	470			
500	33	15	12	3	4	15	140	132,5	450	560			
600	33	15	12	3	4	15	165,3	159	526	666			

Date : 08/12-94

4-1133-m

Drawn : R.Berge



NYBORG - MAWENT

NYBORG-MAWENT S.A.
ul. Ciepła 6, 82-200 Malbork
tel.: +48 55 646 63 00
fax: +48 55 646 63 09
office@nyborg-mawent.com
www.nyborg-mawent.com



NYBORG AS
N-6230 Sykkylven, Norway
tel.: +47 70 25 40 80
fax: +47 70 25 29 08
office@nyborgfan.com
www.nyborgfan.com

LSV - B2

Low Pressure
Centrifugal Fan

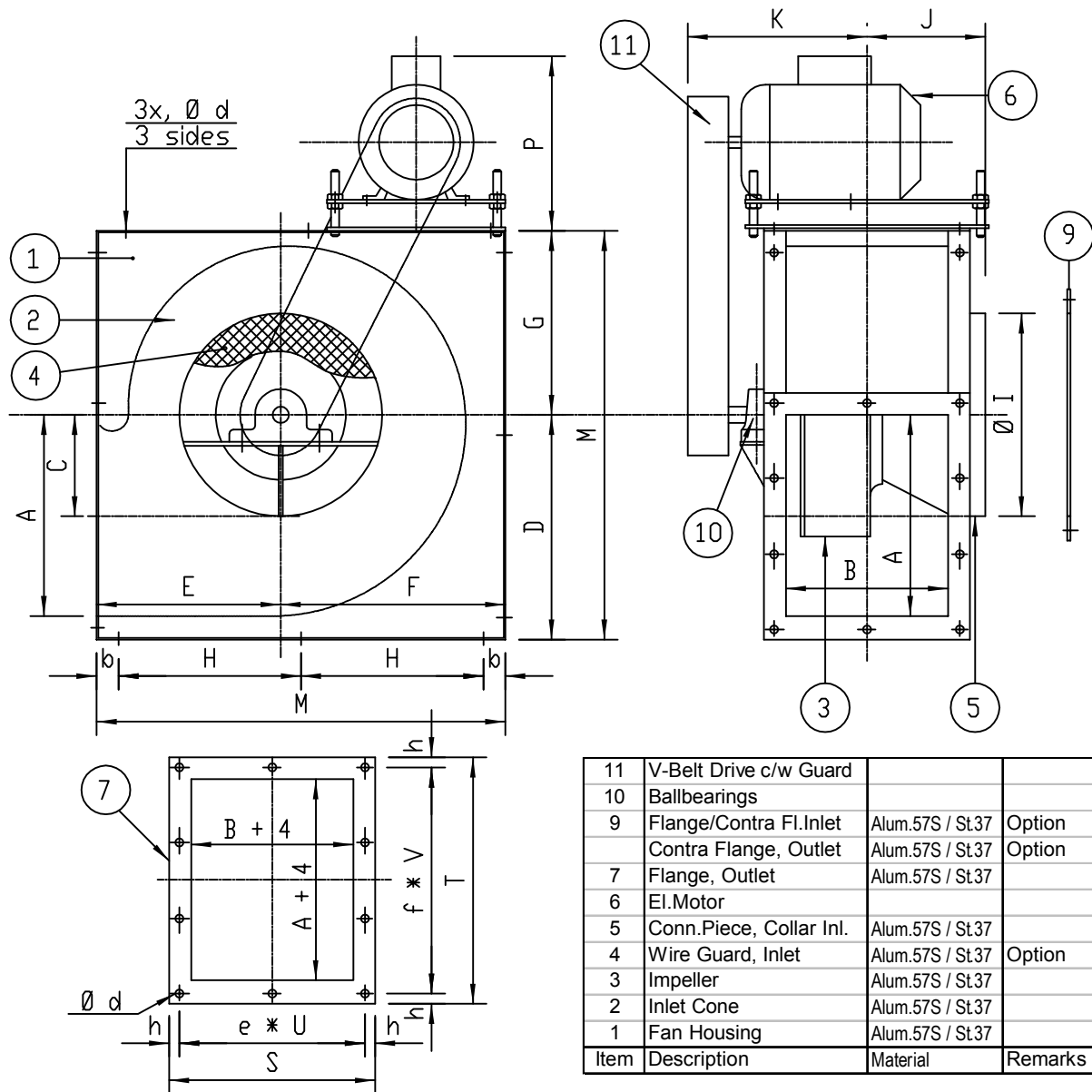


LOW PRESSURE CENTRIFUGAL FAN

Belt Drive Design

Dimension Drawing

LSV - B3
Motor on
Fan Housing



Fan Size Ø l	A	B	C	D	E	F	G	H	J	K	L	M		
250	248	200	125	277	227	277	227	225	146		229	504		
315	296	230	150	327	272	307	252	262,5	161		258	579		
400	405	298	200	433	353	413	333	350	197		334	766		
500	494	384	250	533	403	543	413	440	250		420	946		
600	600	460	300	633	503	623	493	530	288		496	1126		
	b	c	d	e	f	h	U	V	S	T	O	P	Q	
250	27	12,5	10	2	3	12,5	114,5	92,5	254	304				
315	27	12,5	10	2	3	12,5	129	108,5	284	350				
400	33	15	12	2	4	15	167	110	364	470				
500	33	15	12	3	4	15	140	132,5	450	560				
600	33	15	12	3	4	15	165,3	159	526	666				

Date : 12/12-94

4-1135-m

Drawn : M.Berge



NYBORG - MAWENT

NYBORG-MAWENT S.A.
ul. Ciepla 6, 82-200 Malbork
tel.: +48 55 646 63 00
fax: +48 55 646 63 09
office@nyborg-mawent.com
www.nyborg-mawent.com



NYBORG AS

N-6230 Sykkylven, Norway
tel.: +47 70 25 40 80
fax: +47 70 25 29 08
office@nyborgfan.com
www.nyborgfan.com

LSV - B3
Low Pressure
Centrifugal Fan

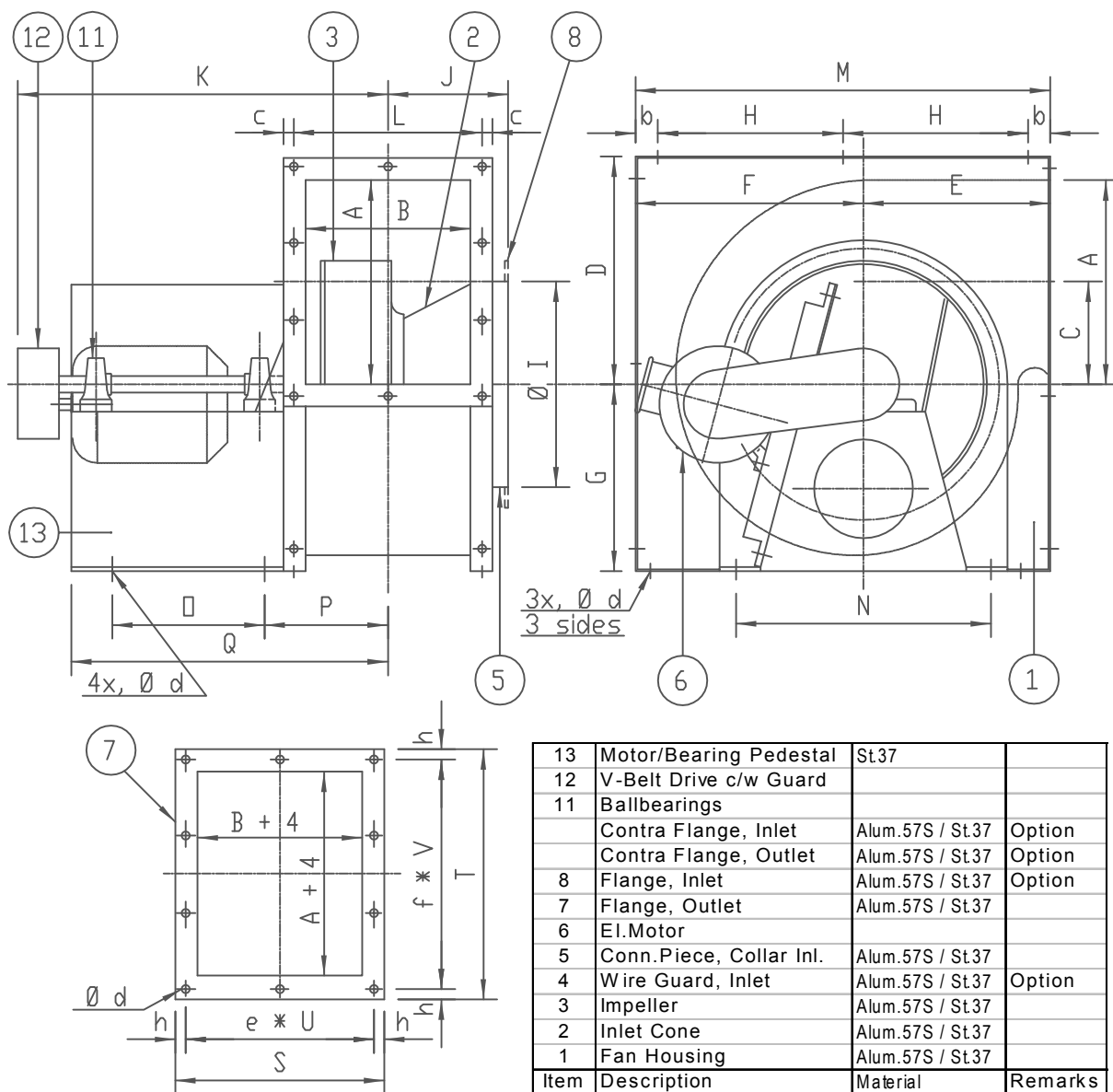


LOW PRESSURE CENTRIFUGAL FAN

Belt Drive Design

Dimension Drawing

LSV - B3
Motor-/ Bearing
Pedestal



Fan Size Ø l	A	B	C	D	E	F	G	H	J	K	L	M		
250	248	200	125	277	227	277	227	225	146		229	504		
315	296	230	150	327	272	307	252	262,5	161		258	579		
400	405	298	200	433	353	413	333	350	197		334	766		
500	494	384	250	533	403	543	413	440	250		420	946		
600	600	460	300	633	503	623	493	530	288		496	1126		
	b	c	d	e	f	h	U	V	S	T	O	P	Q	
250	27	12,5	10	2	3	12,5	114,5	92,5	254	304				
315	27	12,5	10	2	3	12,5	129	108,5	284	350				
400	33	15	12	2	4	15	167	110	364	470				
500	33	15	12	3	4	15	140	132,5	450	560				
600	33	15	12	3	4	15	165,3	159	526	666				

Date : 09/12-94

4-1134-m

Drawn R.Berge



NYBORG-MAWENT S.A.
ul. Ciepla 6, 82-200 Malbork
tel.: +48 55 646 63 00
fax: +48 55 646 63 09
office@nyborg-mawent.com
www.nyborg-mawent.com



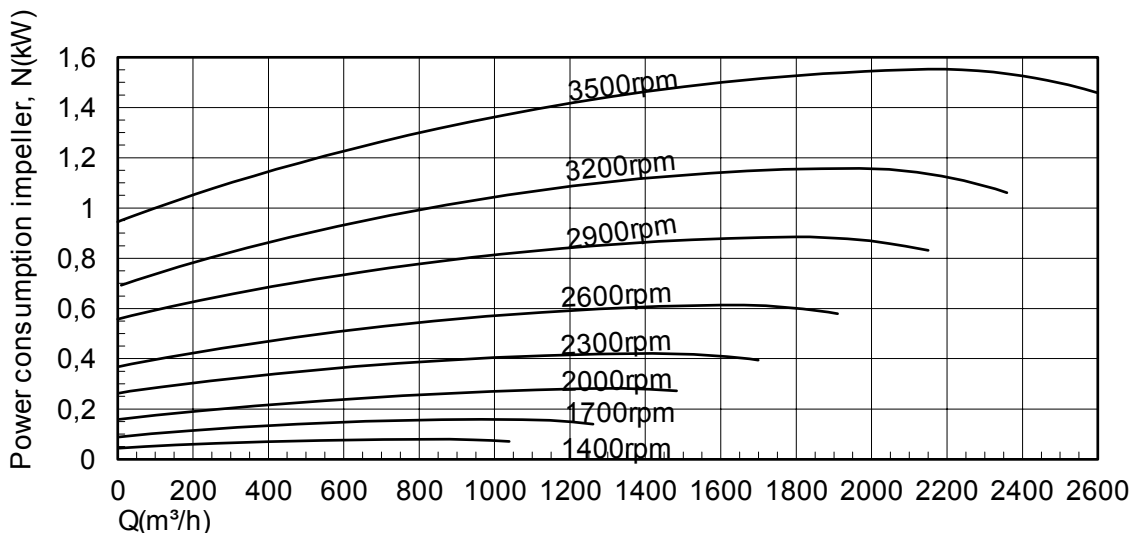
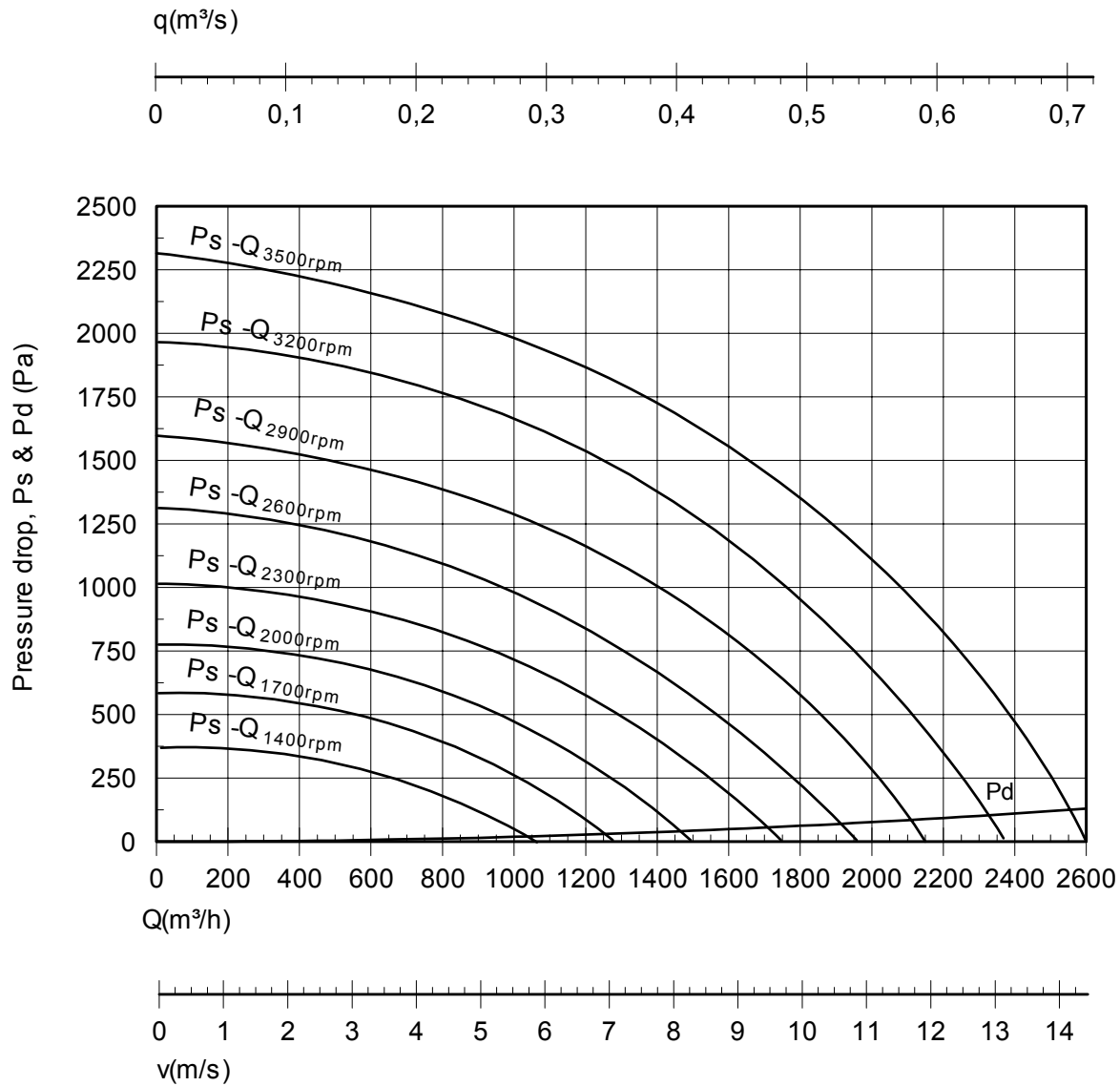
NYBORG AS
N-6230 Sykkylven, Norway
tel.: +47 70 25 40 80
fax: +47 70 25 29 08
office@nyborgfan.com
www.nyborgfan.com

LSV - B3
Low Pressure
Centrifugal Fan



LOW PRESSURE CENTR. FAN PERFORMANCE DATA

LSV 250 B
Imp: B12x300x80



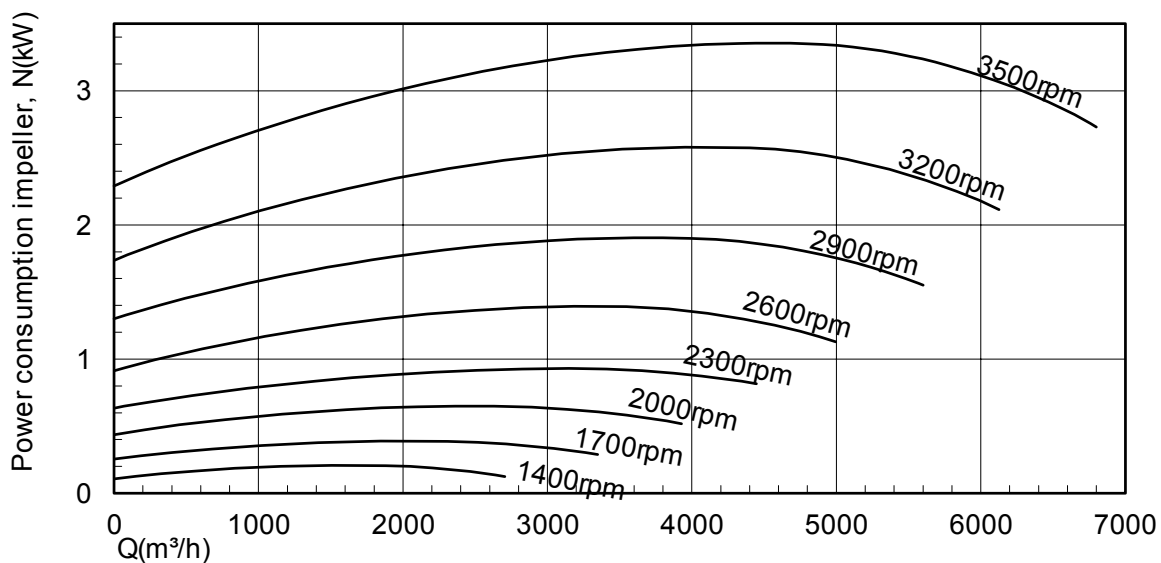
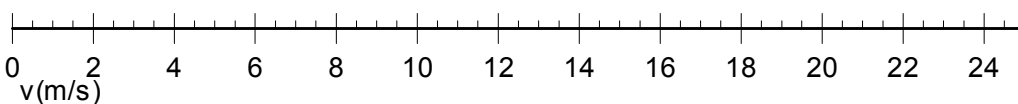
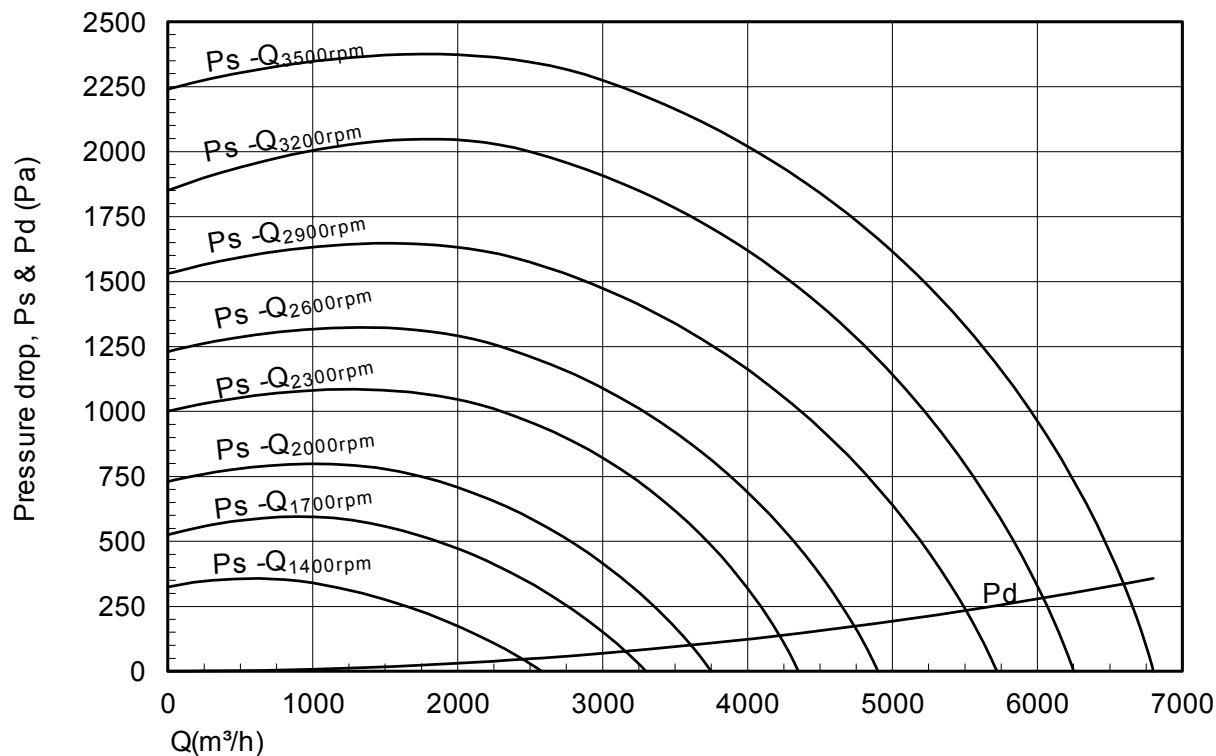
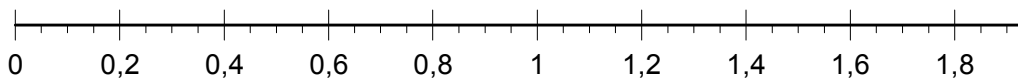


LOW PRESSURE CENTR. FAN PERFORMANCE DATA

LSV 315 B

Imp: B12x350x100

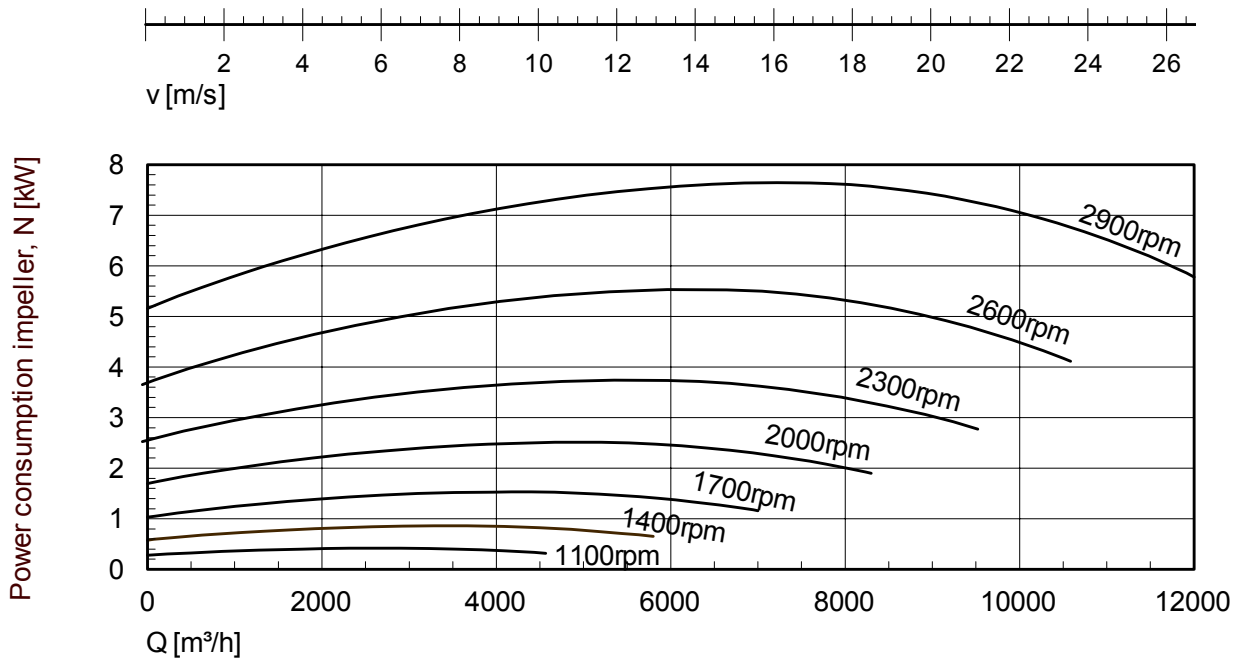
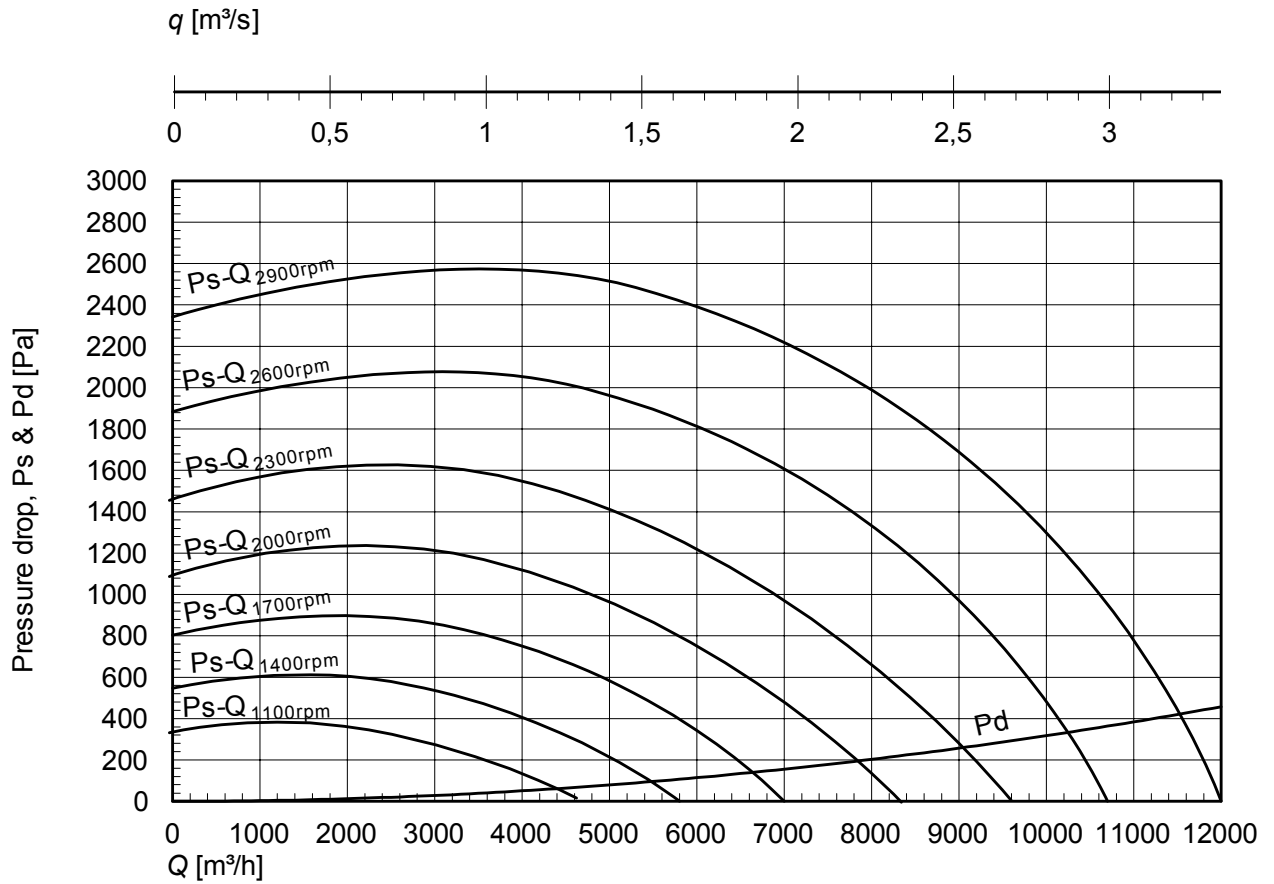
$q(m^3/s)$





LOW PRESSURE CENTR. FAN PERFORMANCE DATA

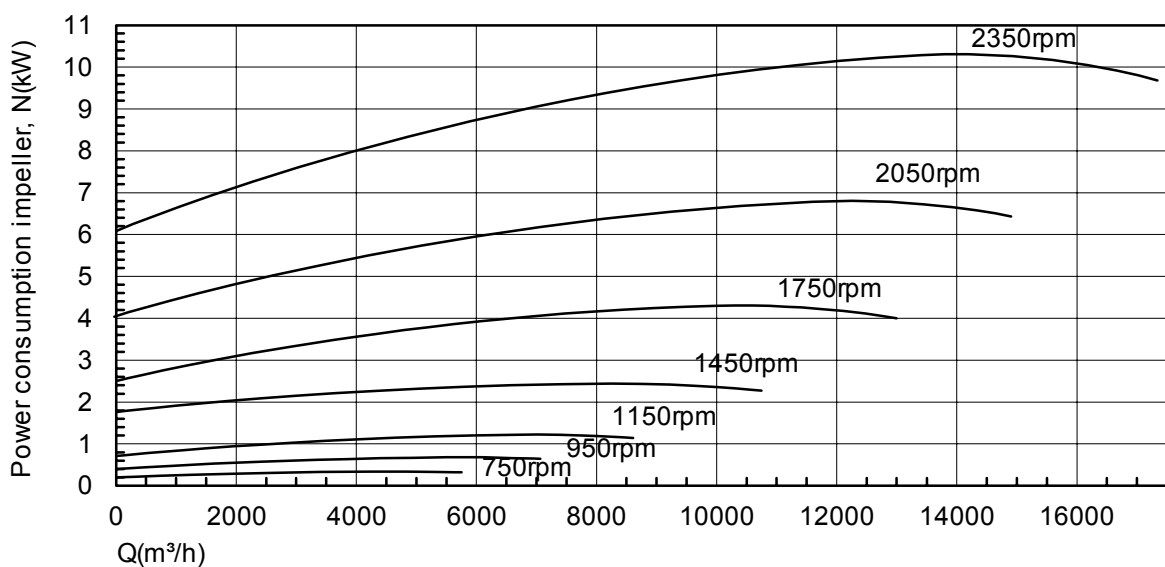
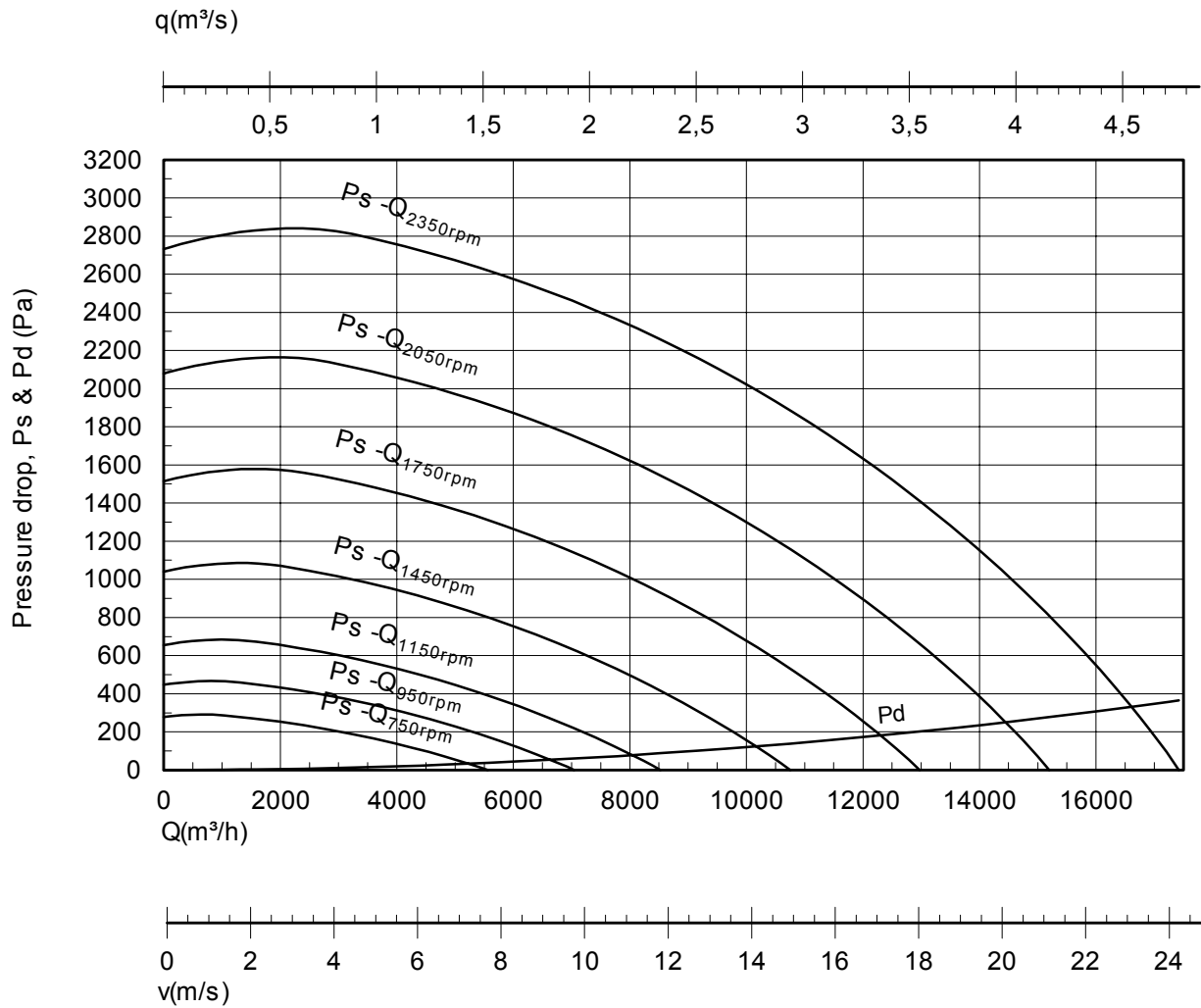
LSV 400 B
Imp: B7x450x100





HIGH PRESSURE CENTR. FAN PERFORMANCE DATA

LSV 500 B
Imp: B7x550x125



Nyborg02-22



NYBORG - MAWENT

NYBORG-MAWENT S.A.
ul. Ciepła 6, 82-200 Malbork
tel.: +48 55 646 63 00
fax: +48 55 646 63 09
office@nyborg-mawent.com
www.nyborg-mawent.com



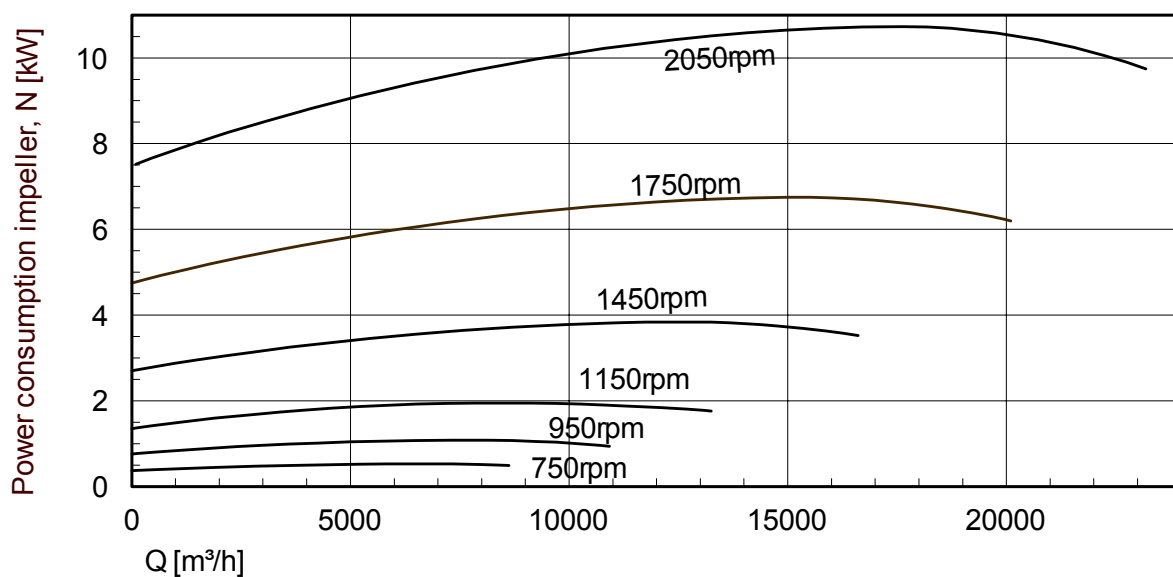
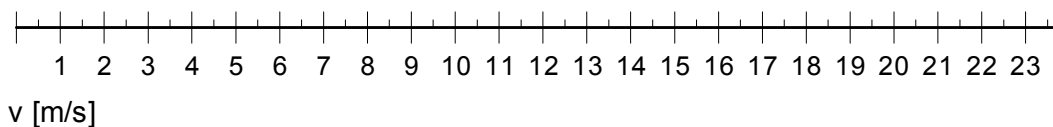
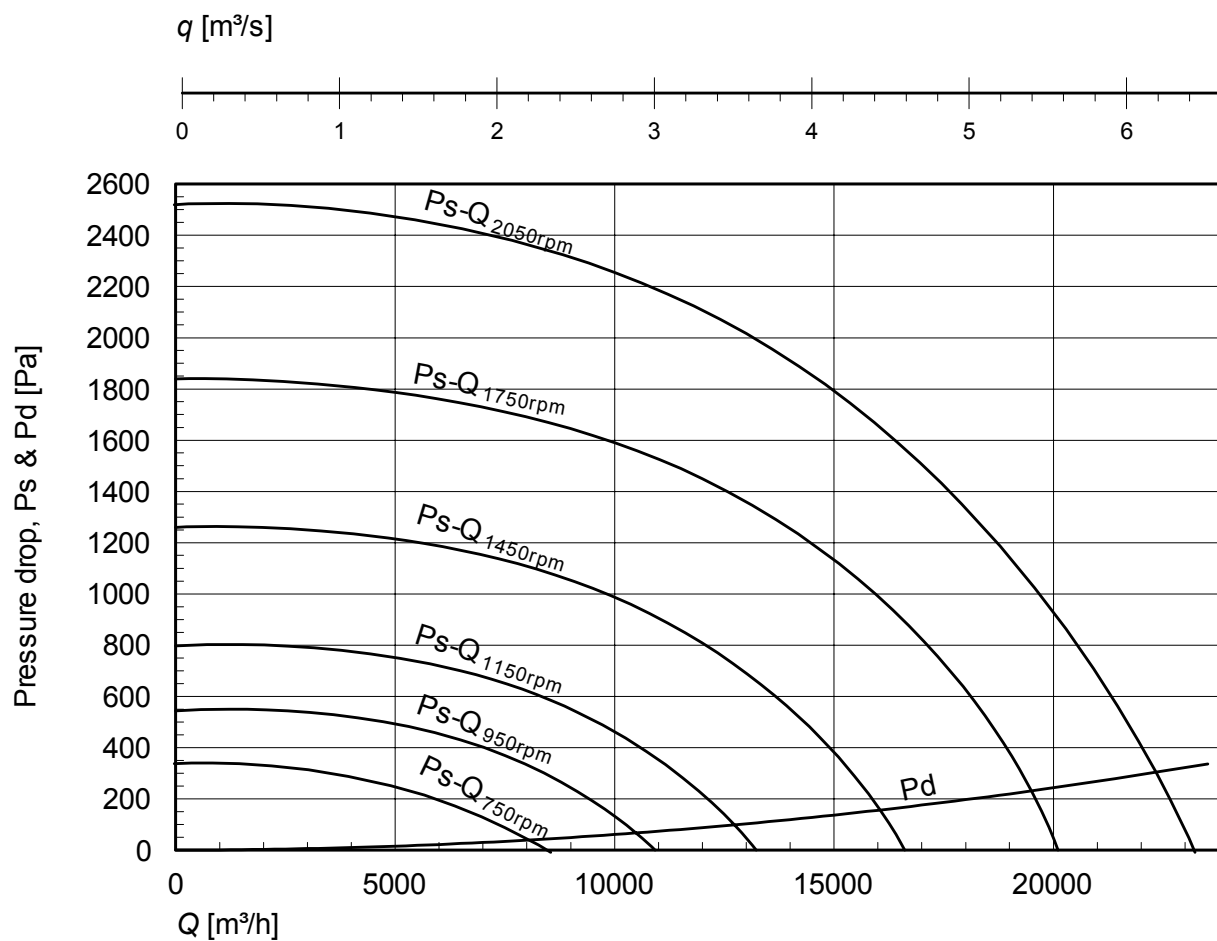
NYBORG AS
N-6230 Sykkylven, Norway
tel.: +47 70 25 40 80
fax: +47 70 25 29 08
office@nyborgfan.com
www.nyborgfan.com

LSV 500 B



LOW PRESSURE CENTR. FAN PERFORMANCE DATA

LSV 600 B
Imp: B7x650x140



Nyborg10.prs/9



NYBORG - MAWENT

NYBORG-MAWENT S.A.
ul. Ciepła 6, 82-200 Malbork
tel.: +48 55 646 63 00
fax: +48 55 646 63 09
office@nyborg-mawent.com
www.nyborg-mawent.com



NYBORG AS
N-6230 Sykkylven, Norway
tel.: +47 70 25 40 80
fax: +47 70 25 29 08
office@nyborgfan.com
www.nyborgfan.com

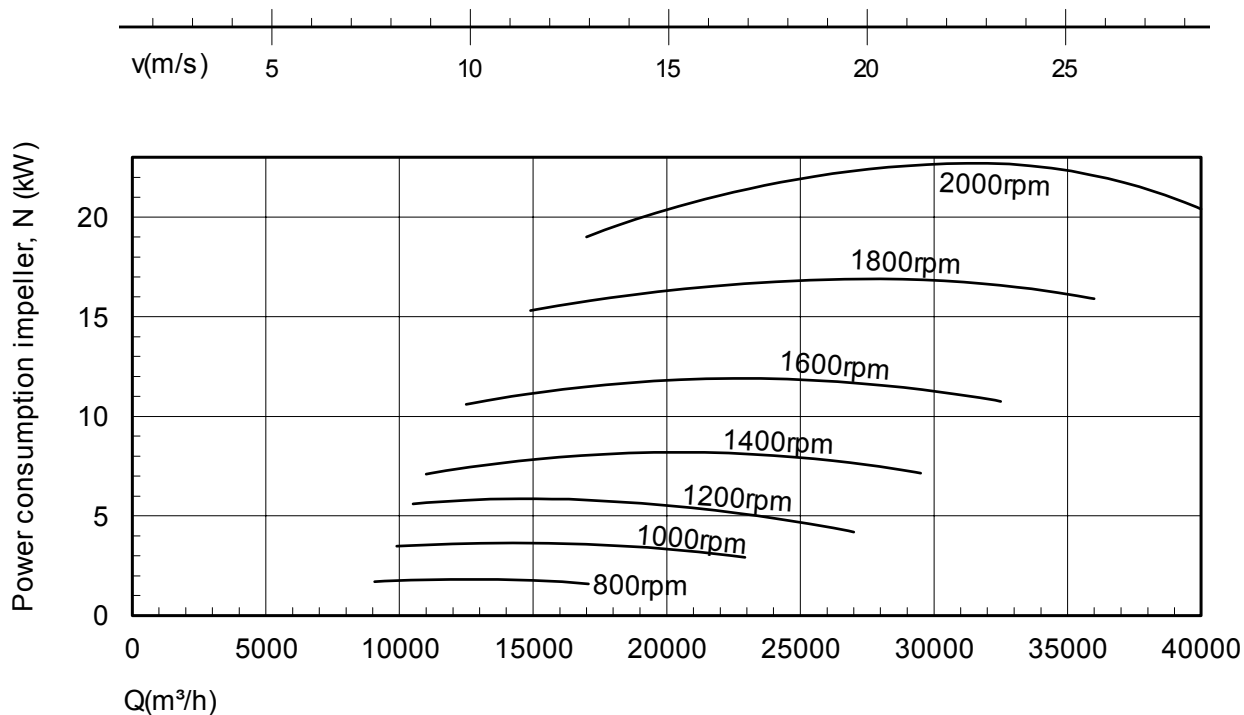
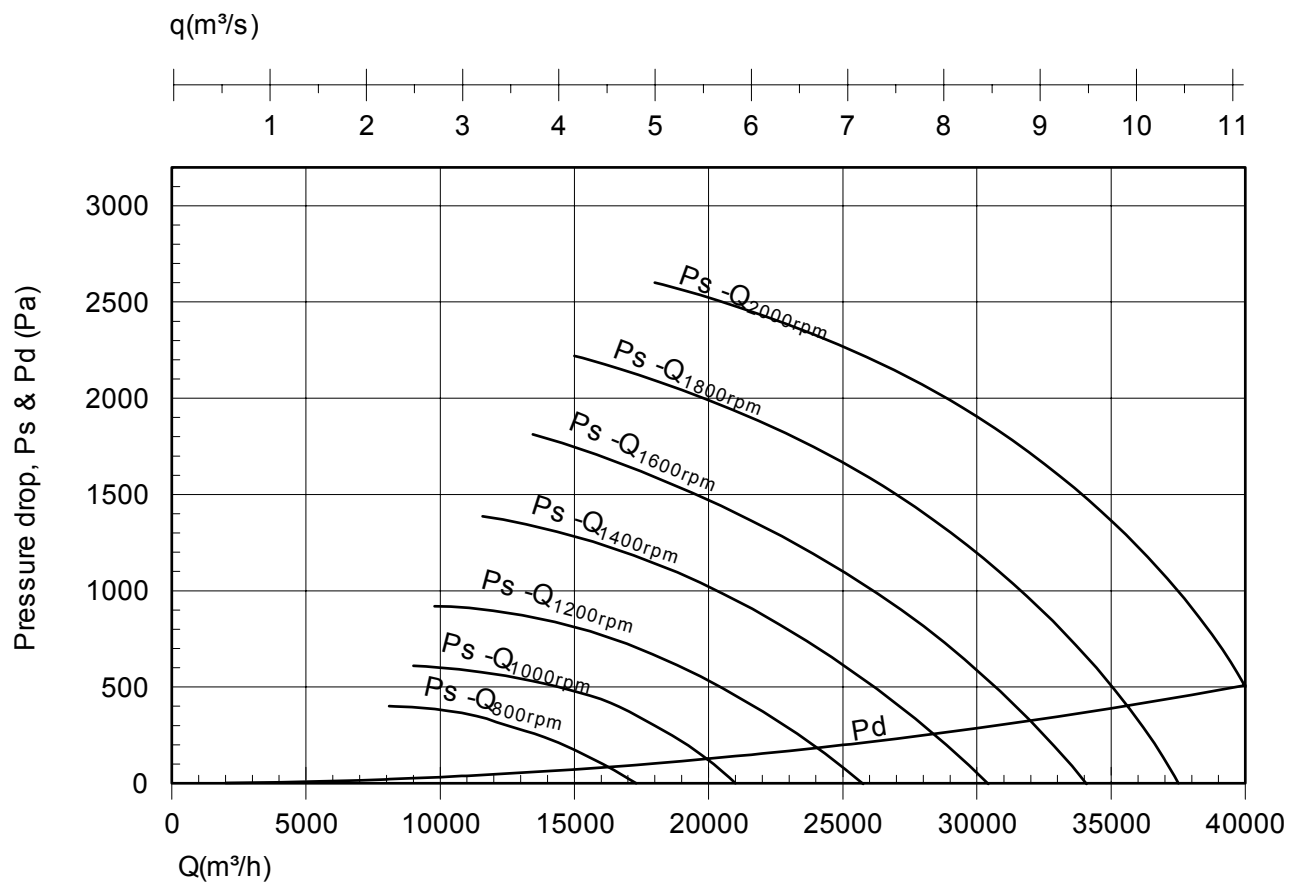
LSV 600 B



LOW PRESSURE CENTR. FAN PERFORMANCE DATA

LSV 700 B

Imp: B12x700x240



Nyborg8.prs/1



NYBORG - MAWENT

NYBORG-MAWENT S.A.
ul. Ciepła 6, 82-200 Malbork
tel.: +48 55 646 63 00
fax: +48 55 646 63 09
office@nyborg-mawent.com
www.nyborg-mawent.com



NYBORG AS
N-6230 Sykkylven, Norway
tel.: +47 70 25 40 80
fax: +47 70 25 29 08
office@nyborgfan.com
www.nyborgfan.com

LSV 700 B

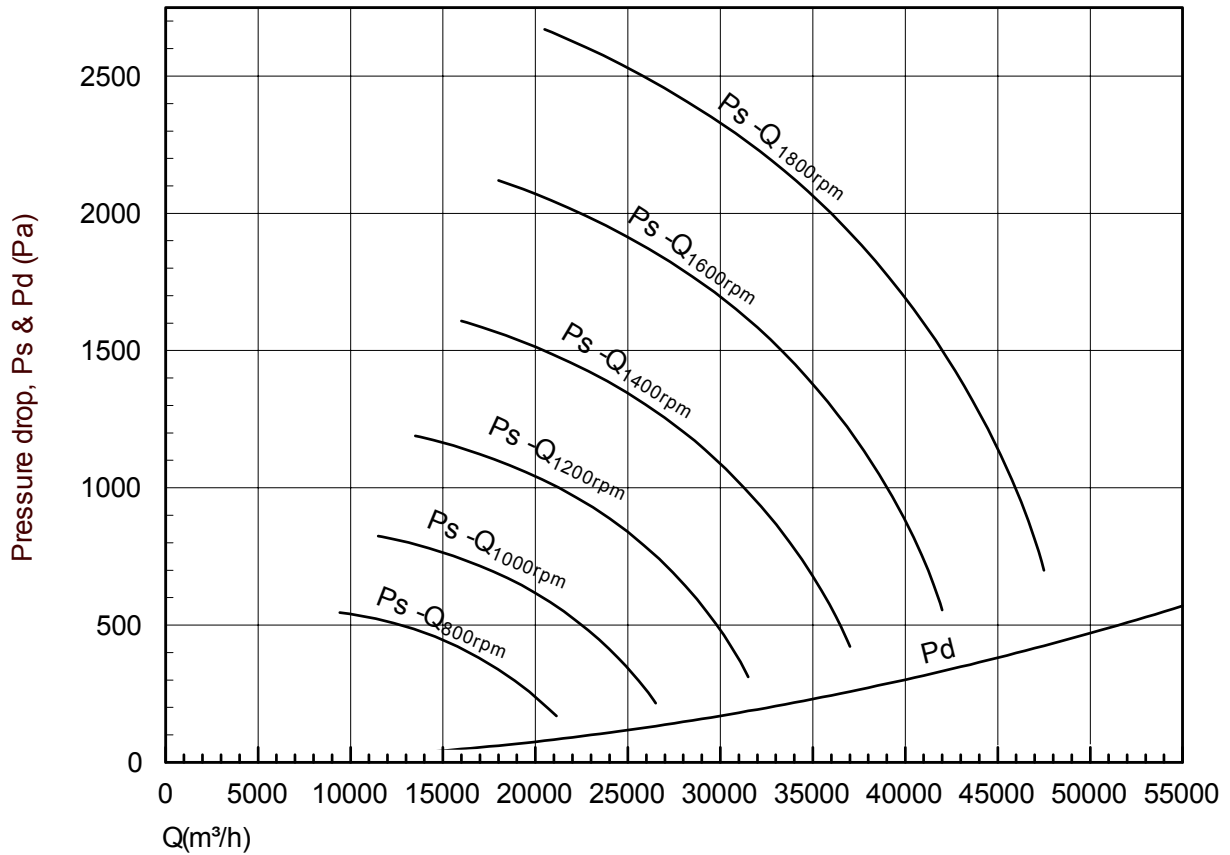
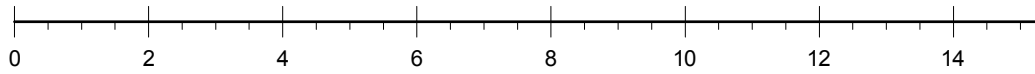


LOW PRESSURE CENTR. FAN PERFORMANCE DATA

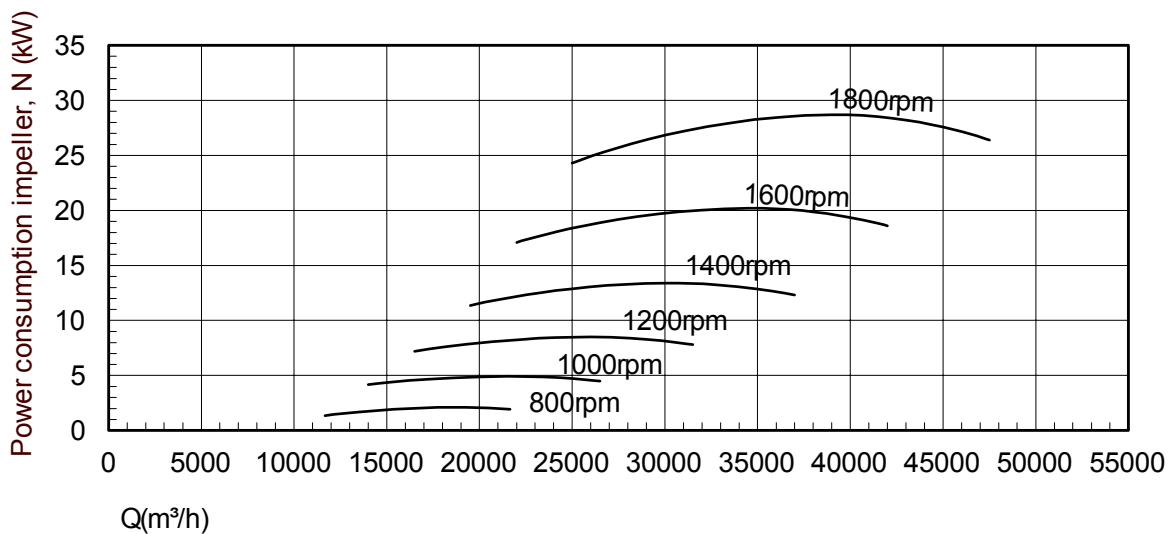
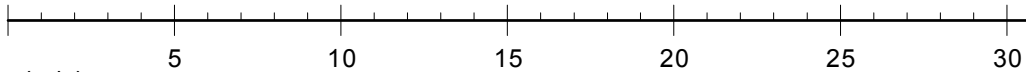
LSV 800 B

Imp: B12x800x225

q(m³/s)



v(m/s)

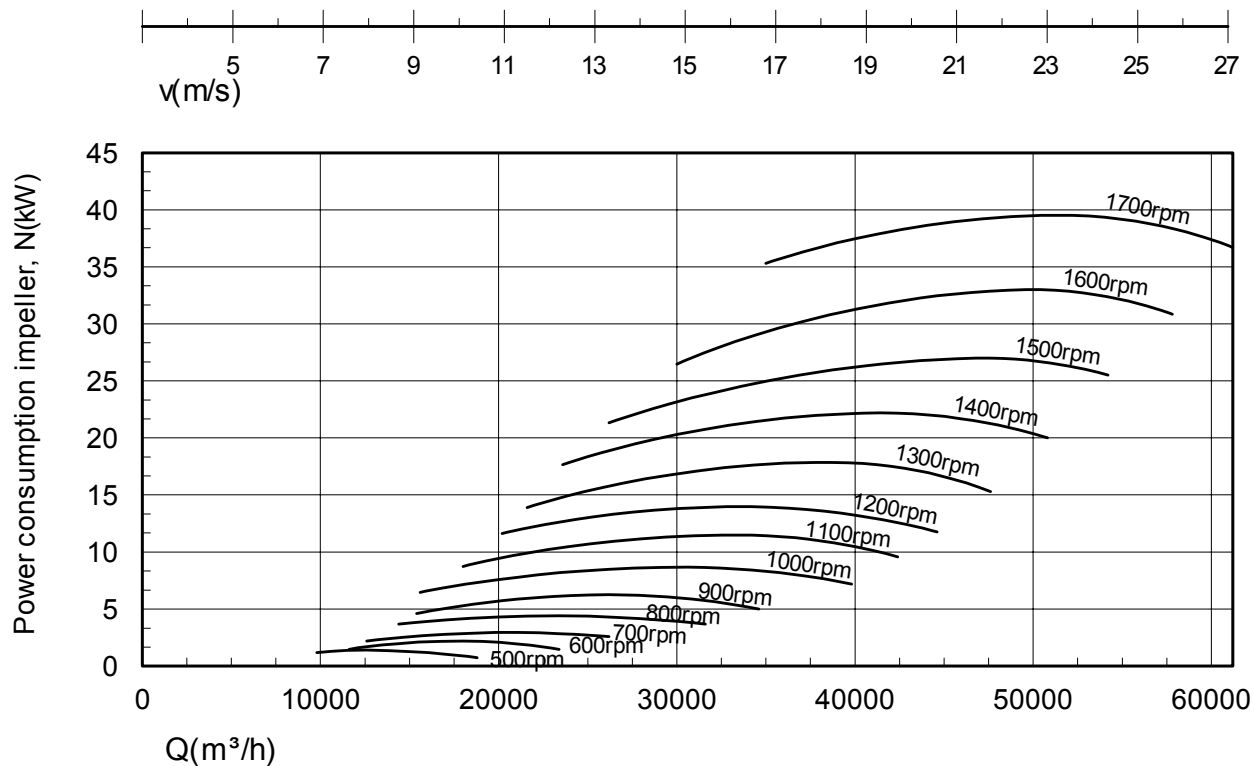
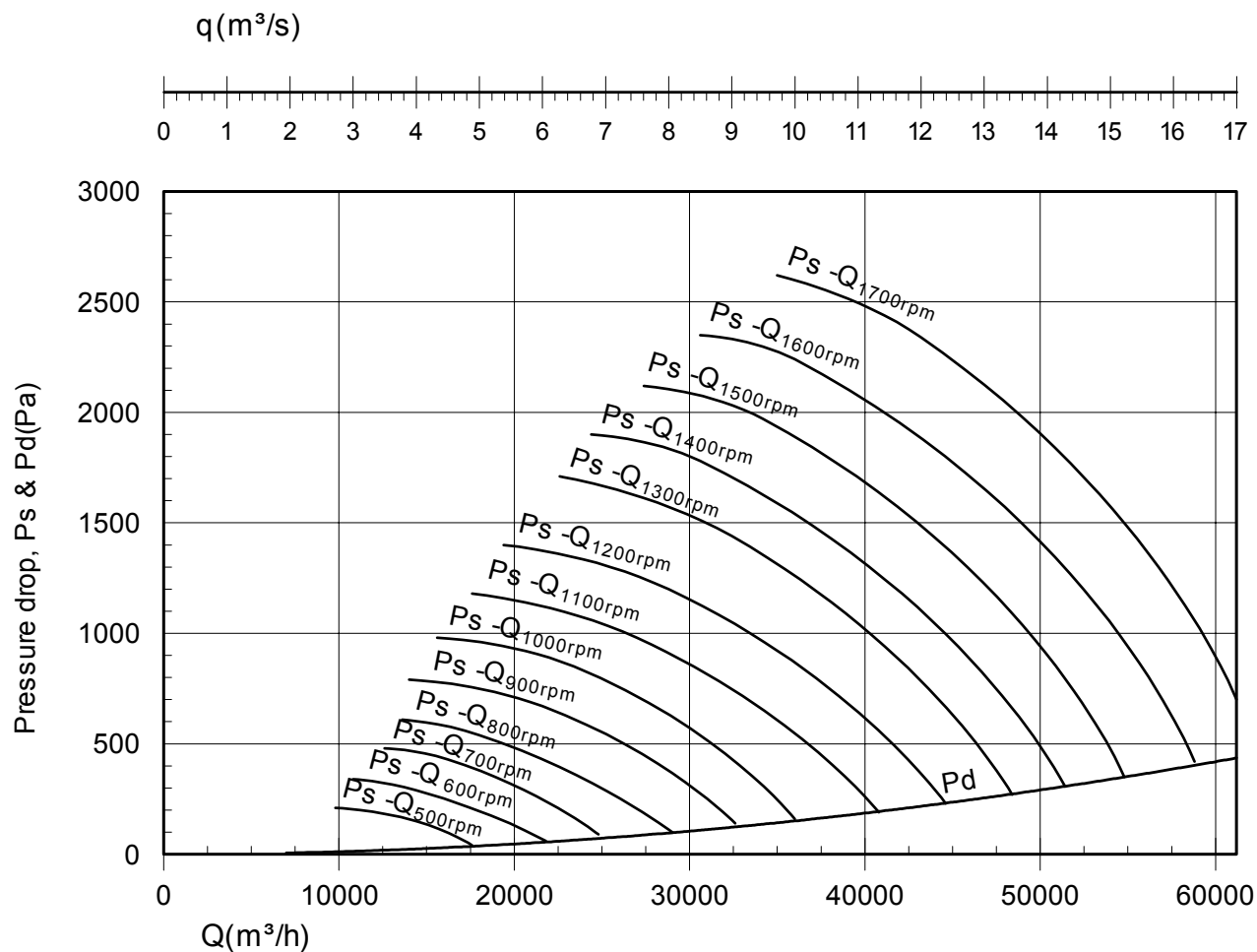




LOW PRESSURE CENTR. FAN PERFORMANCE DATA

LSV 900 B

Imp: B12x850x220



Nyborg20.prs/1



NYBORG - MAWENT

NYBORG-MAWENT S.A.
ul. Ciepla 6, 82-200 Malbork
tel.: +48 55 646 63 00
fax: +48 55 646 63 09
office@nyborg-mawent.com
www.nyborg-mawent.com



NYBORG AS
N-6230 Sykkylven, Norway
tel.: +47 70 25 40 80
fax: +47 70 25 29 08
office@nyborgfan.com
www.nyborgfan.com

LSV 900 B



LOW PRESSURE CENTR. FAN PERFORMANCE DATA

LSV 1000 B
Imp: B12x1000x220

