

CENTRIFUGAL

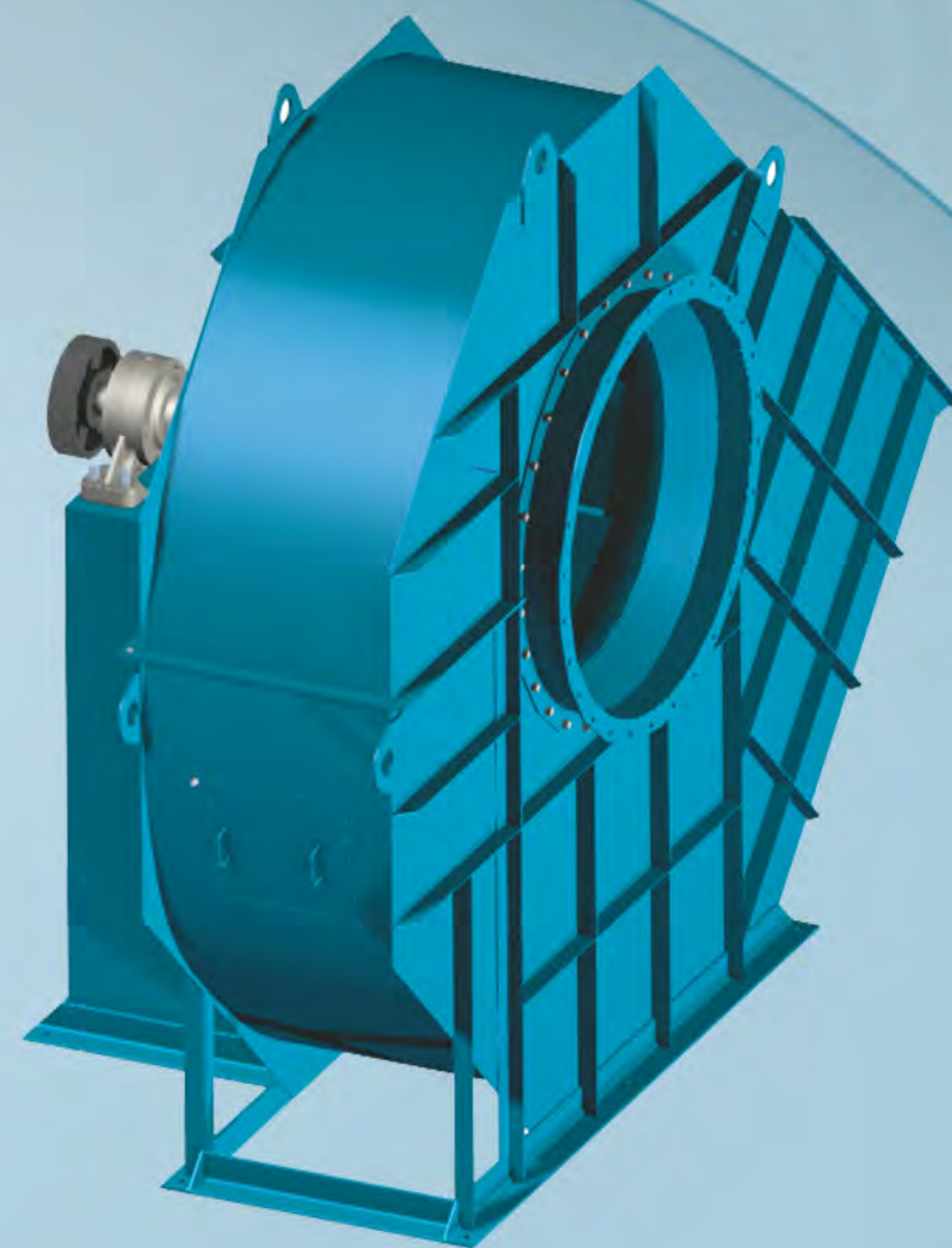
ZFK-125 FAN

APPLICATION

Fan set ZFK-125 finds its application in industry and construction, to operate in: ventilation systems, process lines, air-supply for furnaces installations, etc. It is meant for air or other inert gas and steam movement with dust content not more than $0,3 \text{ g/m}^3$ i temperaturze nie większej niż 353 K (80°C) dla wykonania standardowego.

Following special models of ZFK-125 fan are offered:

- heat-resistant with air cooled bearings (with cooling disc) for movement of inert gas with dust content not more than $0,3 \text{ g/m}^3$ and temperature not exceeding 473 K (200°C),
- heat-resistant with water cooled bearings (with connection to hose of 11mm external diameter) for movement of inert gas with dust content not more than $0,3 \text{ g/m}^3$ and temperature not exceeding 573 K (300°C),
- corrosion-resistant when casing and impeller are made of corrosion-resistant steel.



CONSTRUCTION

The fan is produced with drive through V-belt transmission (drive No. 2). The fan is driven by three-phase, inductive, squirrel cage electric motors. The fan can be made in eight locations of outlet hole: RD0, RD90, RD80, RD270, LG0, LG90, LG180, LG270 according to PN-92/M-43011.

Basic elements such as impeller, casing and basement make welded construction. In standard version, they are made of carbon steel of standard quality. The fan has spiral casing divided into two parts. On customer's demand, after agreeing of executive details, ZFK-125 fan can be produced with drive through coupling (No. 4).

ORDER CONDITIONS

Following technical information shall be given when ordering:

- type and size of fan unit,
- location of outlet hole,
- fan rotational speed,
- version of execution,
- volumetric capacity and total pressure, voltage and type of electric motor.



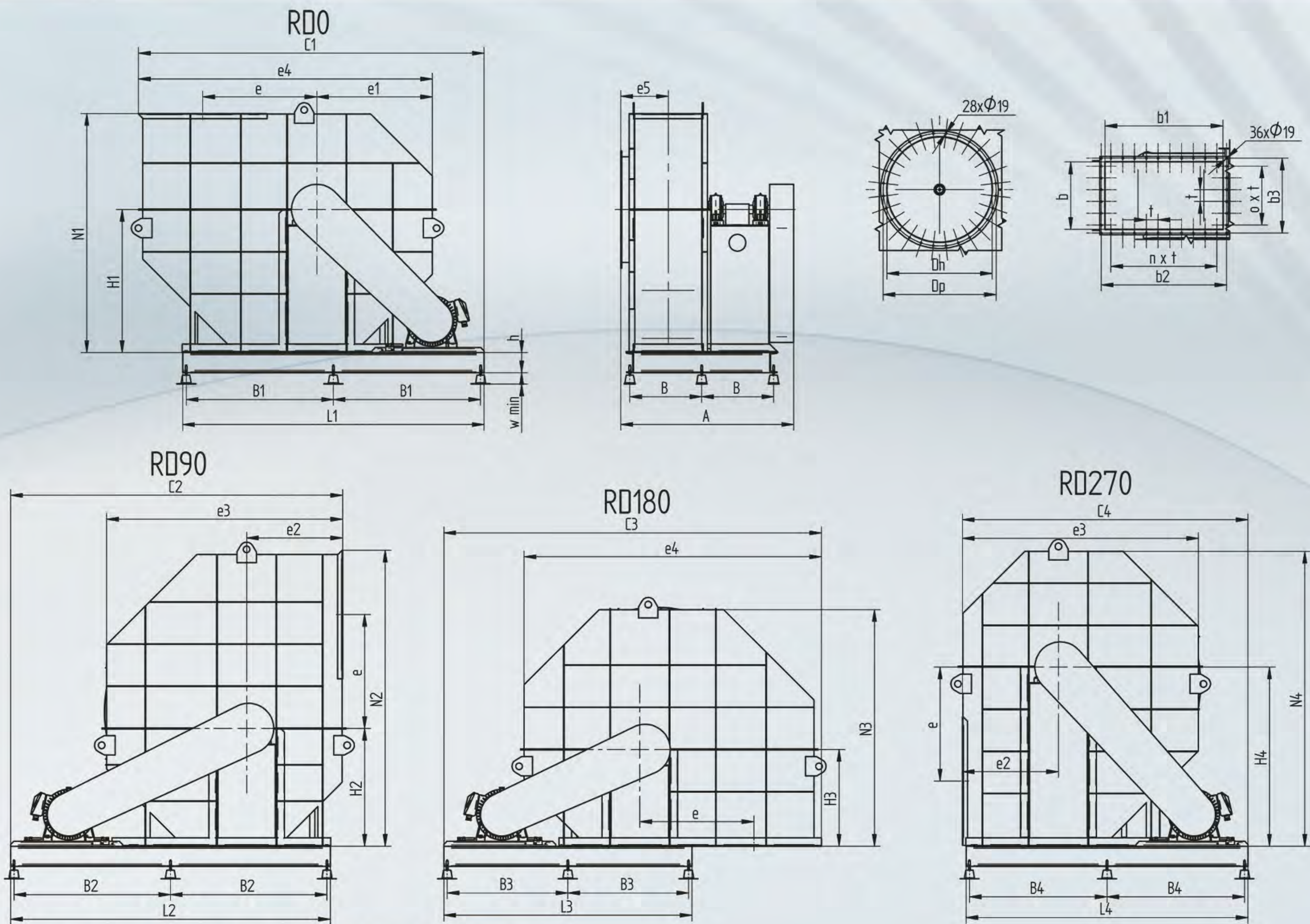
NYBORG-MAWENT

NYBORG-MAWENT S.A. ul. Ciepła 6 82-200 Malbork

Tel.: +48 55 646 63 00 Fax: +48 55 646 63 09 E-mail: office@nyborg-mawent.com
www.nyborg-mawent.com



TECHNICAL SPECIFICATION OF ZFK FAN WITH V-BELT DRIVE NAP2



LEFT FIGURES (LG) ARE MIRROR REFLECTIONS OF RIGHT FIGURES (RD).

FAN ZFK-125 DRIVE 2 RD/LG0

ZFK	Motor power	Dn	Dp	b	b1	b2	b3	e	e1	e2	e3	e4	e5	H1	N1	h	w _{min}	A	B	B1	C1	L1	Impeller flywheel effect GD ²	Fan Weight				
	[kW]	[mm]																										
125	18,5	1250	1343	800	1400	1490	890	1355	1375	1141	2821	3494	564	1700	2842	240	135	2077	855	1685	3974	3450	5023	3195				
	30,0																							1760	4124	3600	3395	
	37,0																							2107	1810	4224	3700	3515
	55,0																							2147	1750	4104	3580	3770
	75,0																											

FAN ZFK-125 DRIVE 2 RD/LG90

ZFK	Motor power	Dn	Dp	b	b1	b2	b3	e	e1	e2	e3	e4	e5	H1	N1	h	w _{min}	A	B	B1	C1	L1	Impeller flywheel effect GD ²	Fan Weight				
	[kW]	[mm]																										
125	18,5	1250	1343	800	1400	1490	890	1355	1375	1141	2821	3494	564	1400	3520	240	135	2077	855	1510	3246	3100	5023	3100				
	30,0																							1585	3396	3250	3300	
	37,0																							2107	1620	3466	3320	3381
	55,0																							2147	1860	3946	3800	3640
	75,0																											

FAN ZFK-125 DRIVE 2 RD/LG180

ZFK	Motor power	Dn	Dp	b	b1	b2	b3	e	e1	e2	e3	e4	e5	H1	N1	h	w _{min}	A	B	B1	C1	L1	Impeller flywheel effect GD ²	Fan Weight				
	[kW]	[mm]																										
125	18,5	1250	1343	800	1400	1490	890	1355	1375	1141	2821	3494	564	1150	2830	240	135	2077	855	1230	4079	2540	5023	3000				
	30,0																							1300	4209	2680	3200	
	37,0																							2107	1340	4299	2760	3310
	55,0																							2147	1435	4489	2950	3570
	75,0																											

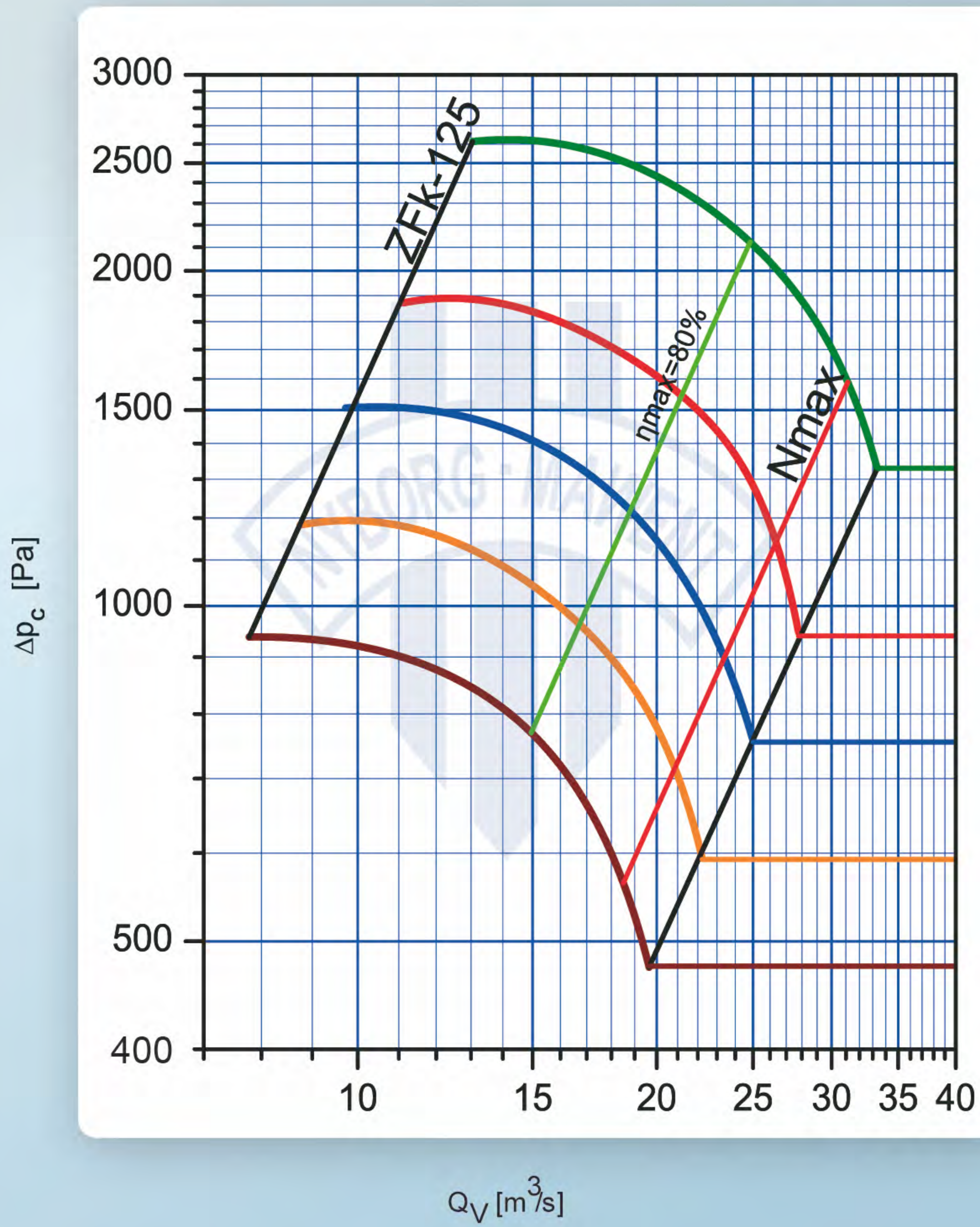
FAN ZFK-125 DRIVE 2 RD/LG270

ZFK	Motor power	Dn	Dp	b	b1	b2	b3	e	e1	e2	e3	e4	e5	H1	N1	h	w _{min}	A	B	B1	C1	L1	Impeller flywheel effect GD ²	Fan Weight				
	[kW]	[mm]																										
125	18,5	1250	1343	800	1400	1490	890	1355	1375	1141	2821	3494	564	2130	3505	240	135	2077	855	1575	3276	3230	5023	3260				
	30,0																							1650	3426	3380	3450	
	37,0																							2107	1700	3526	3480	3575
	55,0																							2147	1635	3396	3350	3833
	75,0																											



CHARACTERISTICS

Flow characteristics present static pressures in function of volumetric capacity for given size and rotational speed of fan and agent density of 1,2 kg/m³.



ZFK-125				
Impeller rotational speed	Power consumption	Acoustic pressure level	Motor	Motor power
[obr./min]	[kW]	[dB (A)]		[kW]
770	69,2	98	315S-6	75
650	46,5	94	315S-8	55
585	30	93	280S-8	37
518	21,2	91	250M-8	30
460	14,8	89	225S-8	18,5