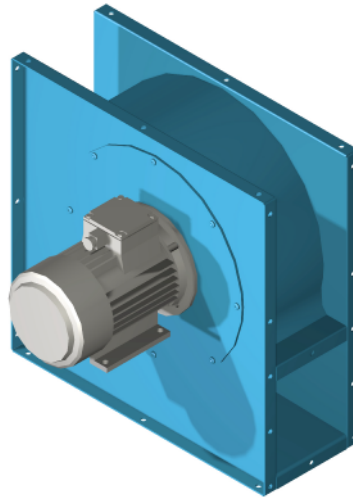




WENTYLATORY ODŚRODKOWE

TYP
LSV/MSV/HSV



ZASTOSOWANIE

Wentylatory odśrodkowe dzielą się na trzy główne grupy: nisko-, średnio-, i wysokociśnieniowe.

KONSTRUKCJA

Konstrukcja oparta jest na się na trzech głównych grupach, nisko-, średnio-, i wysokociśnieniowych.

Konstrukcja i kształt wirnika napędzanego wentylatora jest uzależniony od jego zastosowania, uwarunkowanego wymaganą objętością powietrza i spadkiem ciśnienia.

Wirniki dzielą się na cztery główne grupy. W celu realizacji specyfikacji klientów, dostępne są również rozwiązania na specjalne zamówienie, takie jak model odporny na iskrzenie.

WYKONANIE

LSV i MSV są produkowane z odpornego na wodę morską aluminium i malowane.

Wykonanie ze stali nierdzewnej / AISI 316 lub na życzenie ze stali cynkowanej lub malowanej.

Wirnik wykonany jest z aluminium odpornego na działanie soli i amoniaku, o aerodynamicznym kształcie i wyważeniu. W czterech głównych grupach:

Typ B: łopatki odchyłone w kierunku przeciwnym do obrotu wentylatora, wypukłe

Typ F: łopatki odchyłone w kierunku obrotu wentylatora, koło 'Sciroccio'

Typ Z: łopatki odchyłone w kierunku przeciwnym do obrotu wentylatora, wklęsłe samoczyszczące

Typ R: łopatki promieniste/promieniowe, do wentylatora transportowego

Przepustowość powietrza waha się od 1000 do 240 000 m³/n.

SILNIK ELEKTRYCZNY

Wentylatory są zwykle dostarczane ze standardowym indukcyjnymi klatkowymi silnikami elektrycznymi. Są również dostępne z silnikami elektrycznymi innego typu, jak silniki przeciwybuchowe lub 2-biegowe

AKCESORIA

- Amortyzatory drgań
- Elastyczne połączenia wlot/wylot
- Cokół silnika (wymagany w przypadku ciężkich silników)
- Wlot kołnierzowy
- Przeciwołnierz wlot/wylot
- Kratka ochronna wlot/wylot
- Rama fundamentowa (tylko w przypadku wykonania z napędem pasowym)
- Właz inspekcyjny
- Wykonanie przeciwybuchowe z osłoną przeciwickrową

KONSTRUKCJE SPECJALNE

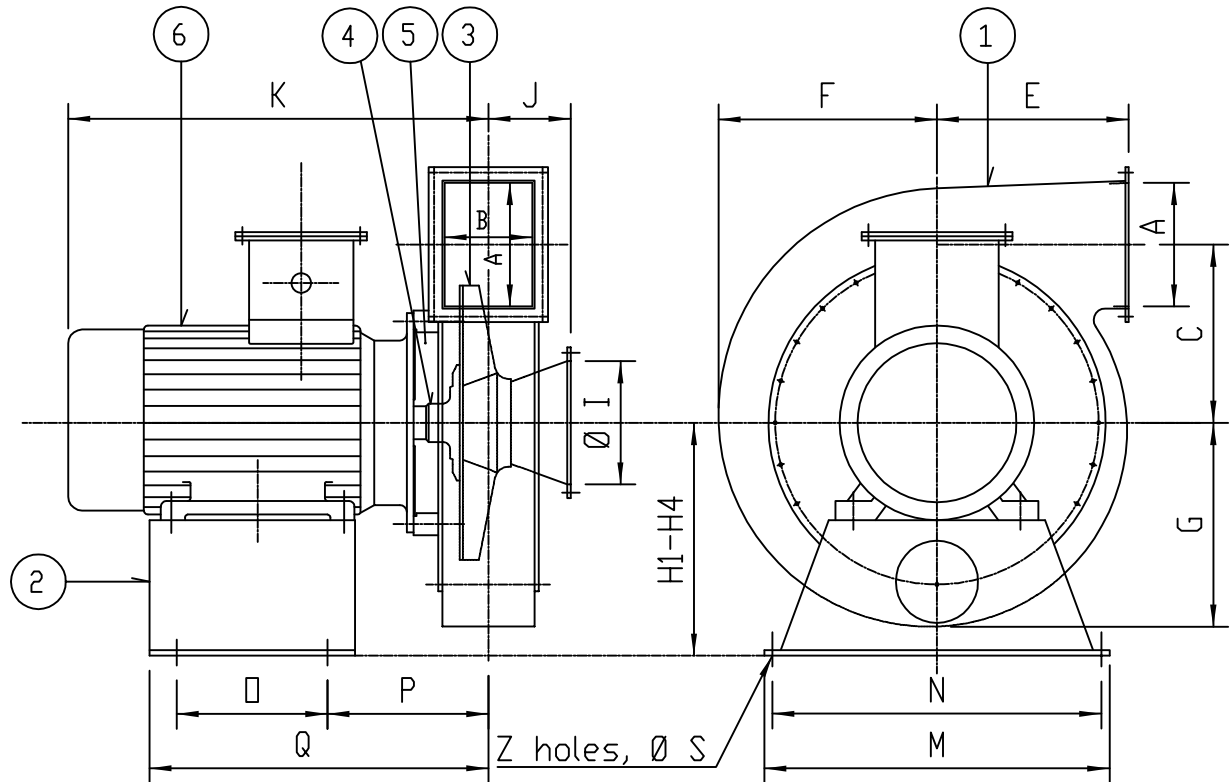
- Wykonanie z napędem pasowym



HIGH PRESSURE CENTR. FAN

HSV - B1

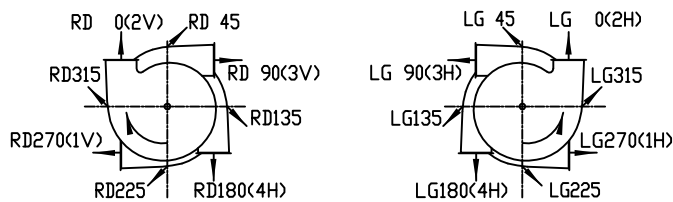
DIMENSION DRAWING



| FAN SIZE | A= $\varnothing I$ | B | C | E | F | G | H1 | H2 | H3 | H4 | J | K | M | N | O | P | Q | Z | S | weight ex cl motor [kg] |
|----------|--------------------|-----|-----|-----|------|-----|------|------|------|----|-----|---|------|------|---|---|---|---|---|-------------------------|
| 150 | 150 | 120 | 280 | 300 | 326 | 297 | 400 | 350 | 350 | | 120 | | 540 | 500 | | | | | | 15 |
| 180 | 180 | 140 | 300 | 325 | 365 | 330 | 450 | 400 | 350 | | 120 | | 580 | 500 | | | | | | 21 |
| 210 | 210 | 170 | 350 | 350 | 400 | 365 | 500 | 450 | 400 | | 130 | | 610 | 560 | | | | | | 26 |
| 250 | 250 | 200 | 375 | 375 | 440 | 400 | 550 | 450 | 450 | | 150 | | 700 | 650 | | | | | | 72 |
| 300 | 300 | 240 | 450 | 450 | 530 | 480 | 675 | 550 | 500 | | 170 | | 800 | 750 | | | | | | 97 |
| 350 | 350 | 240 | 500 | 500 | 605 | 540 | 750 | 650 | 550 | | 210 | | 800 | 750 | | | | | | |
| 400 | 400 | 300 | 550 | 550 | 660 | 660 | 800 | 700 | 650 | | 250 | | 1000 | 900 | | | | | | |
| 450 | 450 | 350 | 625 | 600 | 740 | 680 | 900 | 800 | 700 | | 235 | | 1100 | 1000 | | | | | | |
| 500 | 500 | 400 | 700 | 700 | 830 | 740 | 1030 | 900 | 800 | | 270 | | 1200 | 1100 | | | | | | |
| 600 | 600 | 460 | 750 | 750 | 900 | 820 | 1150 | 950 | 850 | | 320 | | 1300 | 1200 | | | | | | |
| 700 | 700 | 640 | 880 | 880 | 1065 | 950 | 1300 | 1150 | 1000 | | 350 | | 1500 | 1420 | | | | | | |

Mounting Positions in accordance to "Eurovent"

Configurations to be seen from shaft side.



- ① FAN HOUSING.
Matl.:
- ② MOTOR PEDESTAL.
Matl.:
- ③ FAN IMPELLER.
Matl.: Salt and amoniaresistive aluminium alloy.
- ④ SHAFT SEAL OR GASTIGHT ASSEMBLY.
If Applicable
- ⑤ AIR GAP BETWEEN MOTOR AND SEAL.
If Applicable
- ⑥ EL.MOTOR: Model: V: Hz:
kW: Rpm: V: Hz:

Date: 11.10.96

4-1154-m

Drawn: M.Berge



NYBORG-MAWENT S.A.
ul. Ciepla 6, 82-200 Malbork
tel.: +48 55 646 63 00
fax: +48 55 646 63 09
office@nyborg-mawent.com
www.nyborg-mawent.com



NYBORG AS
N-6230 Sykkylven, Norway
tel.: +47 70 25 40 80
fax: +47 70 25 29 08
office@nyborgfan.com
www.nyborgfan.com

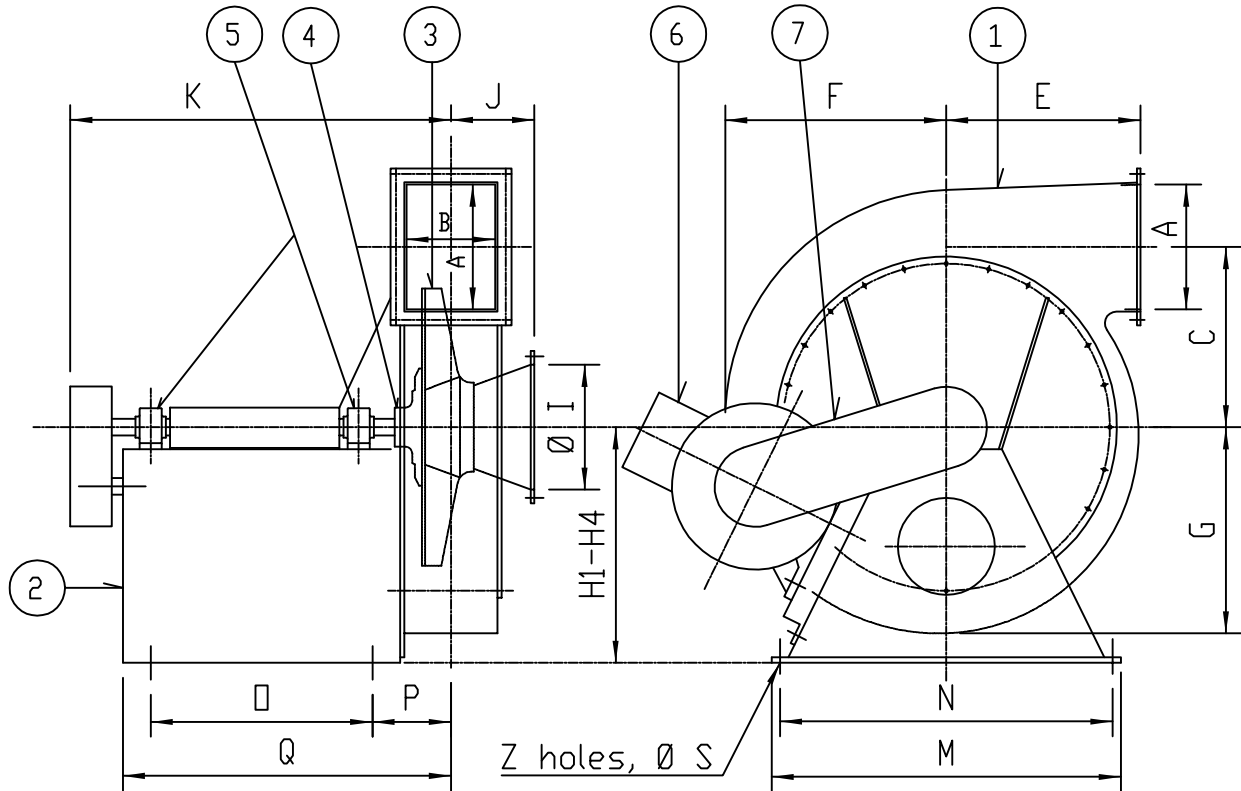
HSV - B1



HIGH PRESSURE CENTR. FAN

Dimensional Sketch

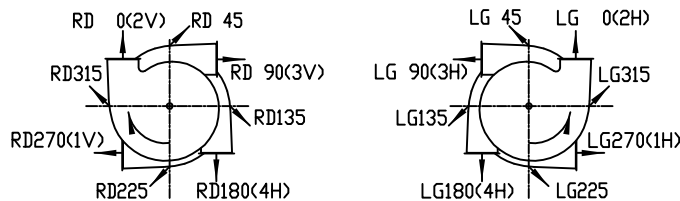
HSV - B3



| SIZE NO | A= \emptyset | B | C | E | F | G | H1 | H2 | H3 | H4 | J | K | M | N | P | Q | Z | S | |
|---------|----------------|-----|-----|-----|-----|-----|------|-----|-----|----|-----|-----|------|------|-----|-----|-----|---|----|
| 150 | 150 | 120 | 280 | 300 | 326 | 297 | 400 | 350 | 350 | | 120 | | 540 | 500 | | | | | |
| 180 | 180 | 140 | 300 | 325 | 365 | 330 | 450 | 400 | 350 | | 120 | | 580 | 500 | | | | | |
| 210 | 210 | 170 | 350 | 350 | 400 | 365 | 500 | 450 | 400 | | 130 | | 610 | 560 | | | | | |
| 250 | 250 | 200 | 375 | 375 | 440 | 400 | 550 | 450 | 450 | | 150 | | 700 | 650 | | | | | |
| 300 | 300 | 240 | 450 | 450 | 530 | 480 | 675 | 550 | 500 | | 170 | 690 | 800 | 750 | 330 | 150 | 520 | 4 | 14 |
| 350 | 350 | 240 | 500 | 500 | 605 | 540 | 750 | 650 | 550 | | 210 | | 800 | 750 | | | | | |
| 400 | 400 | 300 | 550 | 550 | 660 | 660 | 800 | 700 | 650 | | 250 | | 1000 | 900 | | | | | |
| 450 | 450 | 350 | 625 | 600 | 740 | 680 | 900 | 800 | 700 | | 235 | | 1100 | 1000 | | | | | |
| 500 | 500 | 400 | 700 | 700 | 830 | 740 | 1030 | 900 | 800 | | 270 | | 1200 | 1100 | | | | | |

Mounting Positions in accordance to "Eurovent"

Configurations to be seen against motor (Drive end)



- ① FAN HOUSING.
Matl.:
- ② MOTOR and BEARING PEDESTAL.
Matl.:
- ③ FAN IMPELLER.
Matl.: Salt and amoniaresistive aluminium alloy.
- ④ SHAFT SEAL OR GASTIGHT ASSEMBLY.
If Applicable
- ⑤ 2 OFF BALLBEARINGS, type
- ⑥ EL.MOTOR: Model:
kW: Rpm: V: Hz:
- ⑦ V-BELT TRANSMISSION, c/w Belt Guard

Date: 09/02-95

Revision: 01 4-1155

Drawn: R.Berge



NYBORG - MAWENT

NYBORG-MAWENT S.A.
ul. Ciepla 6, 82-200 Malbork
tel.: +48 55 646 63 00
fax: +48 55 646 63 09
office@nyborg-mawent.com
www.nyborg-mawent.com



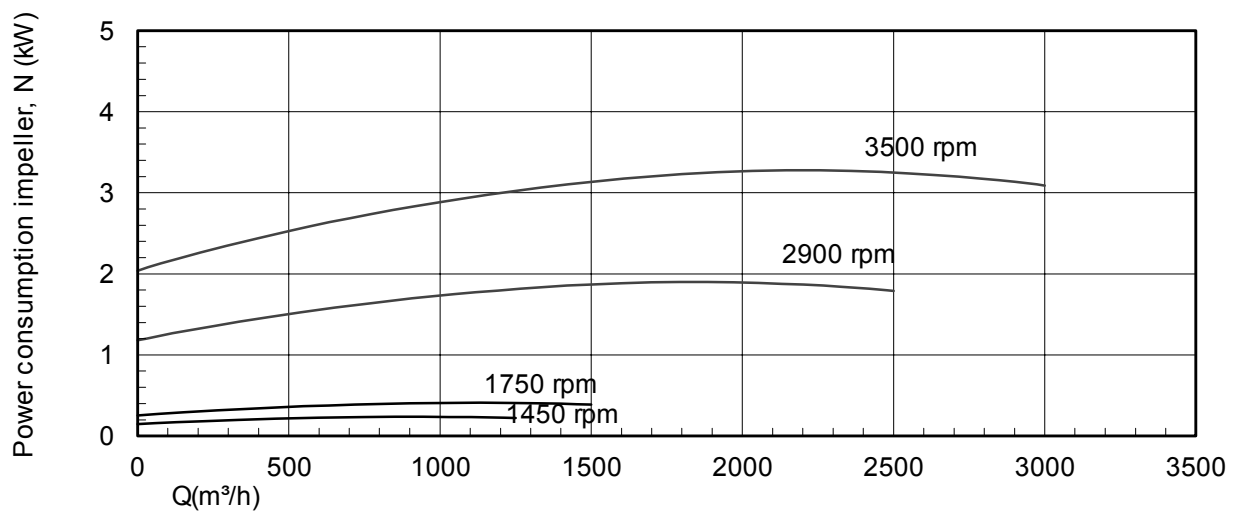
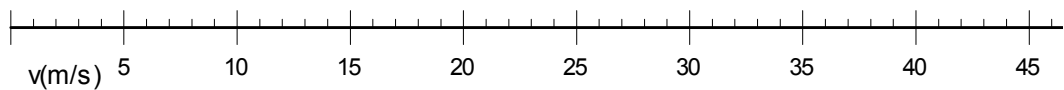
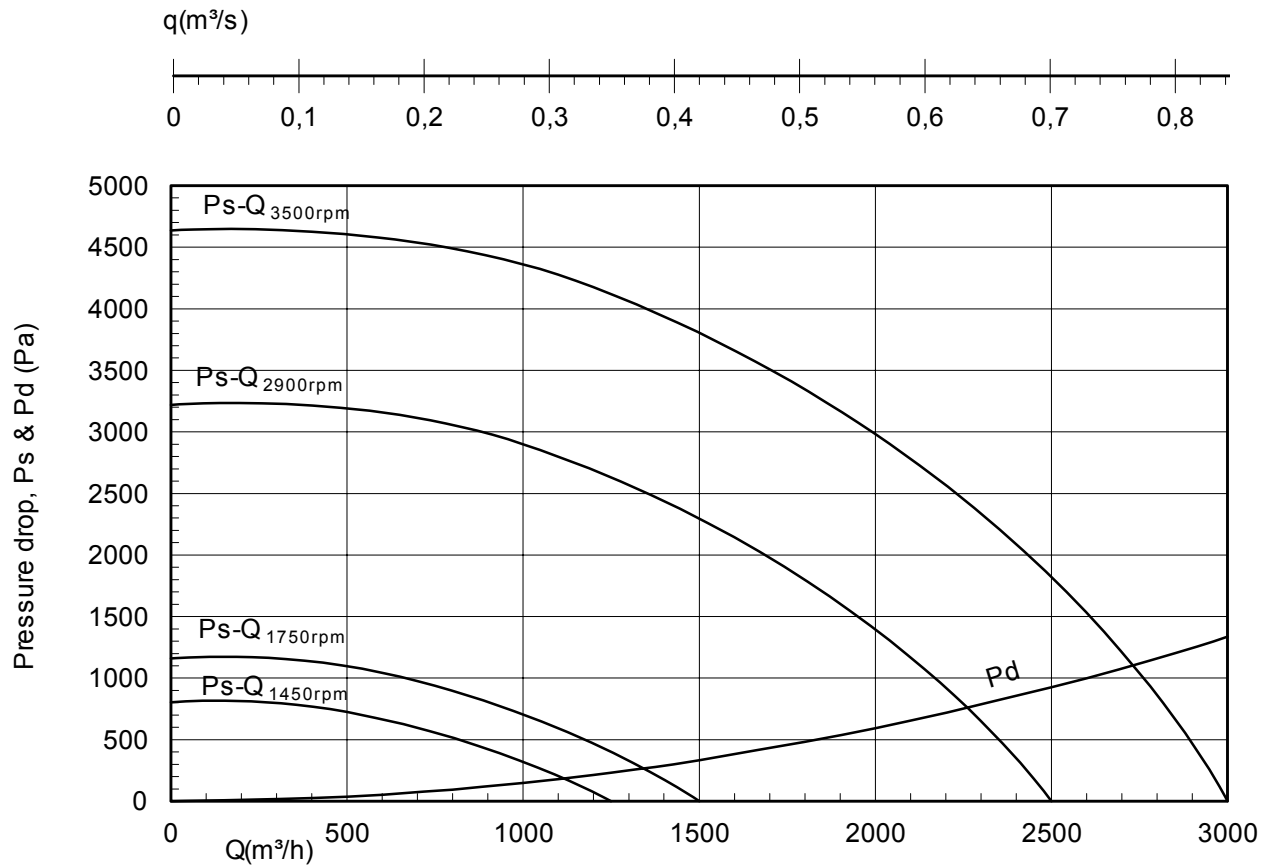
NYBORG AS
N-6230 Sykkylven, Norway
tel.: +47 70 25 40 80
fax: +47 70 25 29 08
office@nyborgfan.com
www.nyborgfan.com

HSV - B3



HIGH PRESSURE CENTR. FAN PERFORMANCE DATA

HSV 150 B
Imp: B9x450x25



Hsv01-01



NYBORG - MAWENT

NYBORG-MAWENT S.A.
ul. Ciepla 6, 82-200 Malbork
tel.: +48 55 646 63 00
fax: +48 55 646 63 09
office@nyborg-mawent.com
www.nyborg-mawent.com



NYBORG AS
N-6230 Sykkylven, Norway
tel.: +47 70 25 40 80
fax: +47 70 25 29 08
office@nyborgfan.com
www.nyborgfan.com

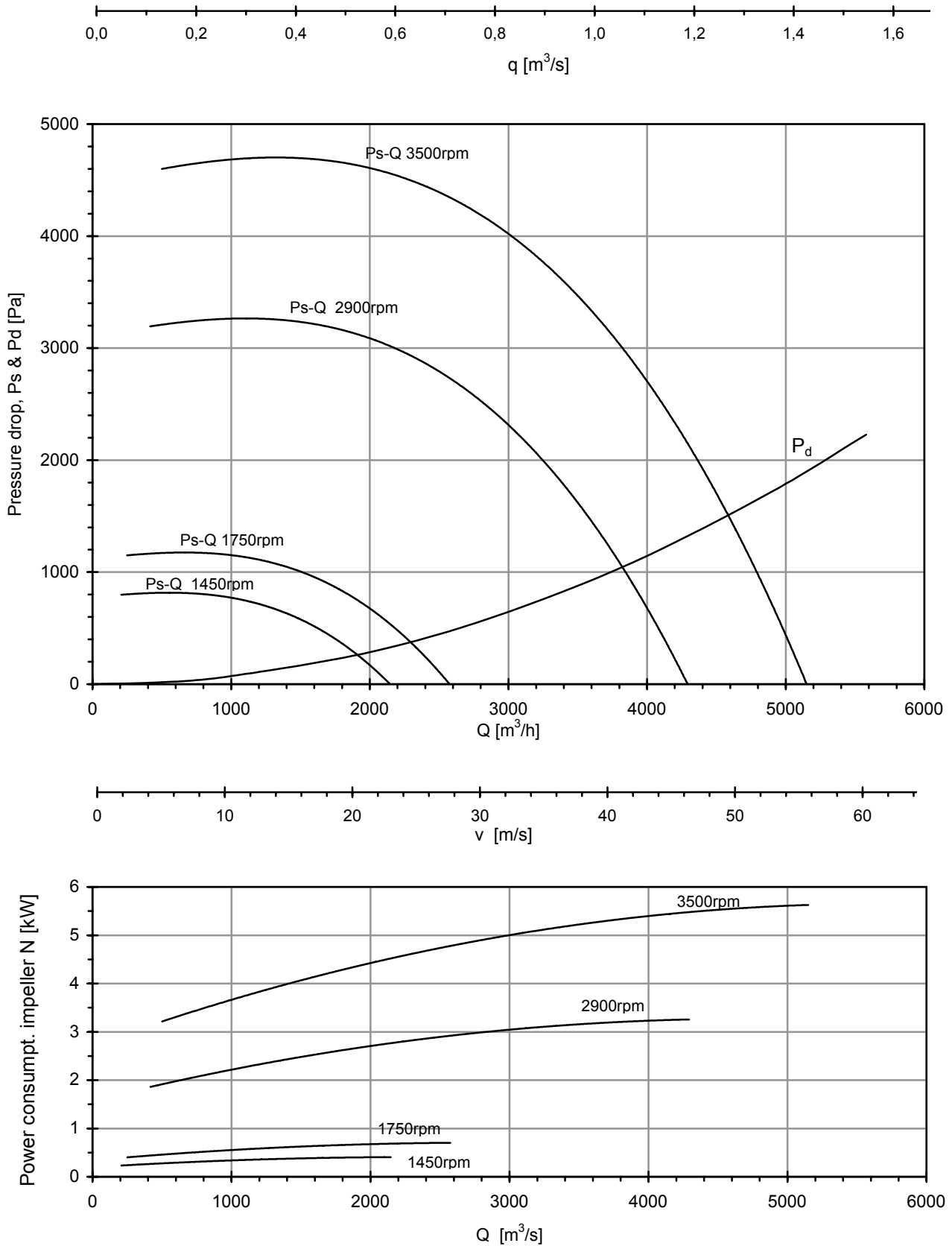
HSV 150 B



NYBORG HIGH PRESS. CENTR. FAN PERFORMANCE DATA

HSV 180 B

Imp: B9x450x50



hsv01_xls-7



NYBORG-MAWENT S.A.
ul. Ciepla 6, 82-200 Malbork
tel.: +48 55 646 63 00
fax: +48 55 646 63 09
office@nyborg-mawent.com
www.nyborg-mawent.com



NYBORG AS
N-6230 Sykkylven, Norway
tel.: +47 70 25 40 80
fax: +47 70 25 29 08
office@nyborgfan.com
www.nyborgfan.com

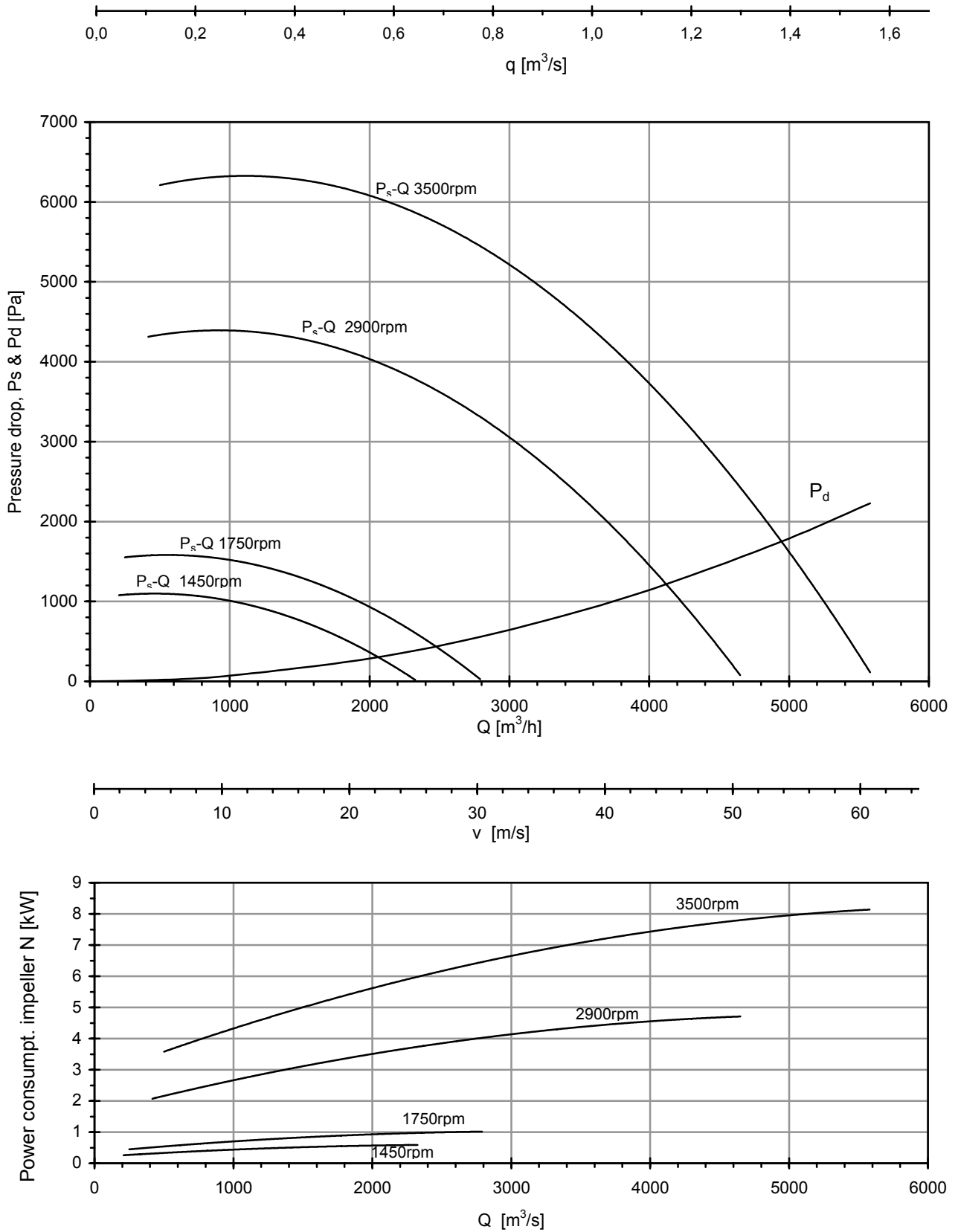
HSV 180 B



NYBORG HIGH PRESS. CENTR. FAN PERFORMANCE DATA

HSV 180 B

Imp: B9x500x50



hsv01_xls-6



NYBORG - MAWENT

NYBORG-MAWENT S.A.
ul. Ciepla 6, 82-200 Malbork
tel.: +48 55 646 63 00
fax: +48 55 646 63 09
office@nyborg-mawent.com
www.nyborg-mawent.com



NYBORG AS
N-6230 Sykkylven, Norway
tel.: +47 70 25 40 80
fax: +47 70 25 29 08
office@nyborgfan.com
www.nyborgfan.com

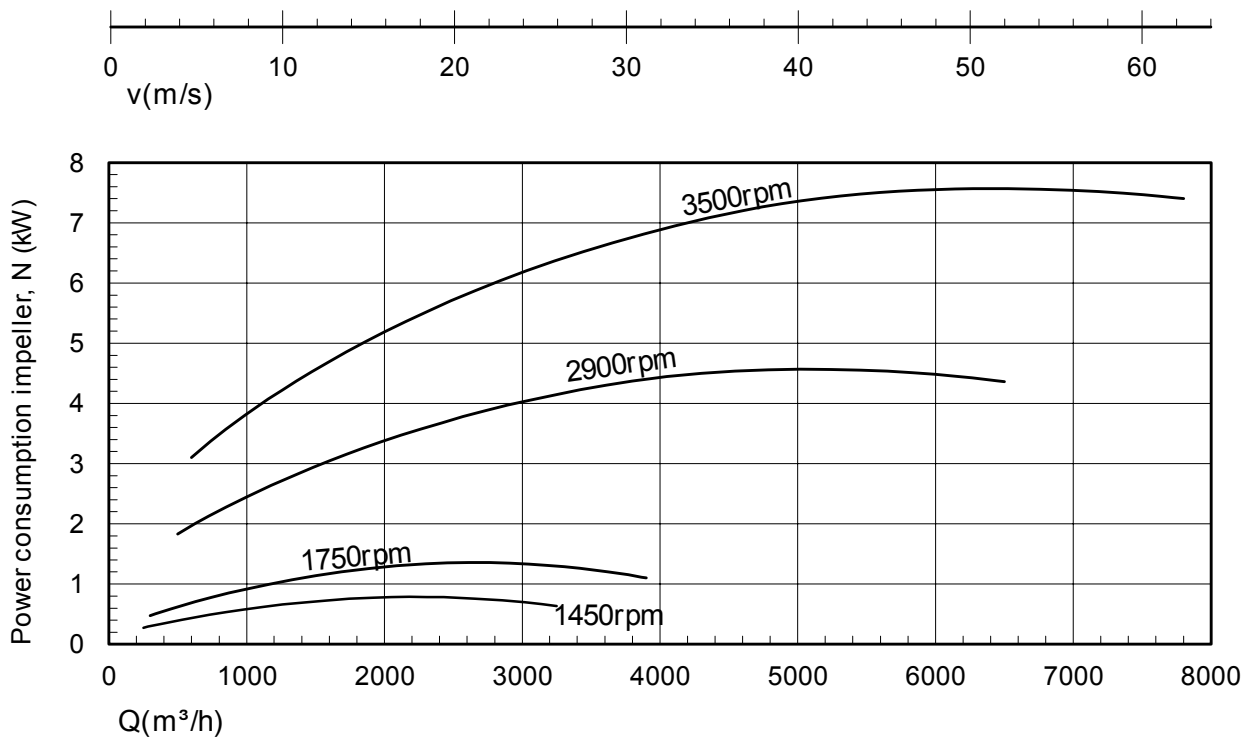
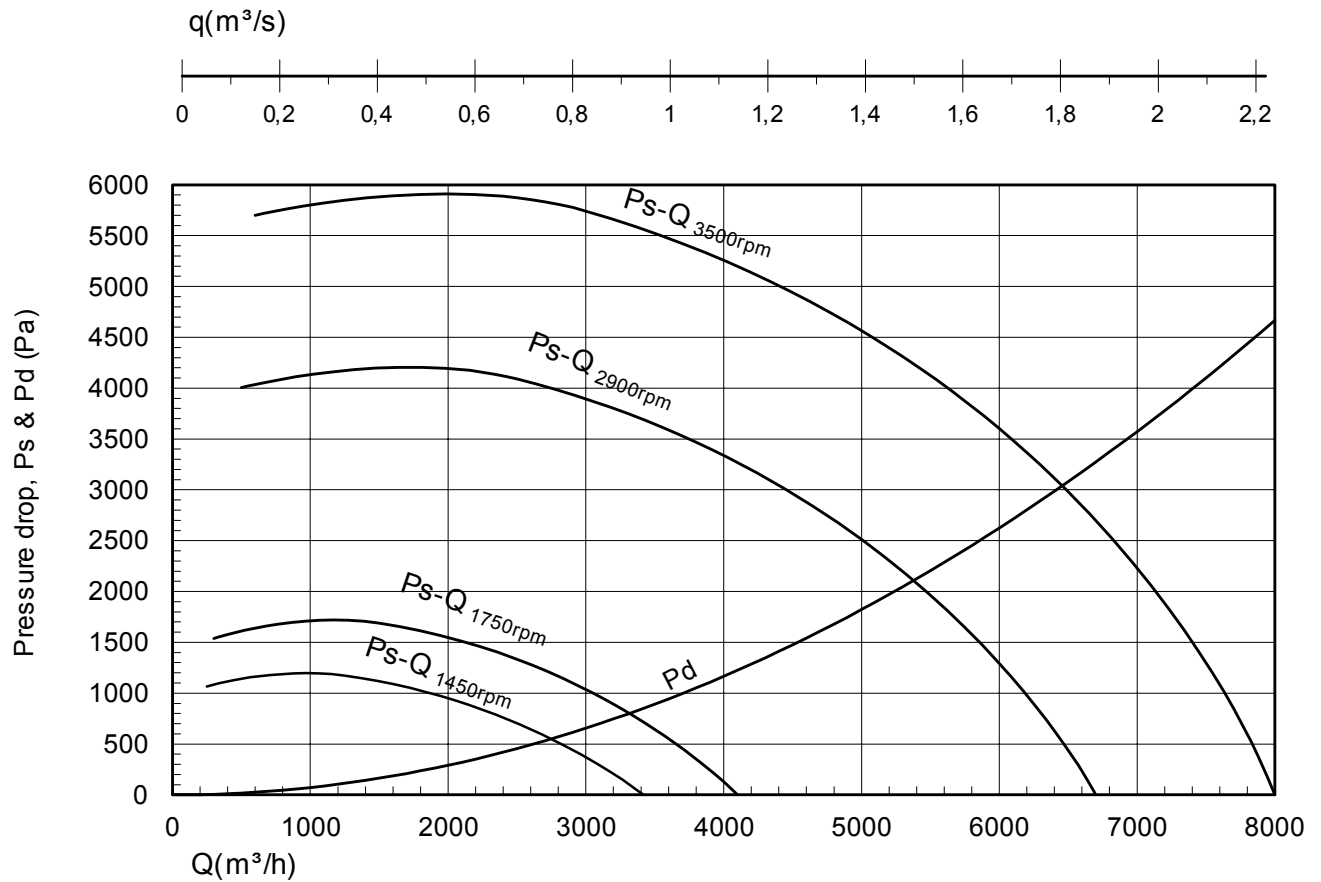
HSV 180 B



HIGH PRESSURE CENTR. FAN PERFORMANCE DATA

HSV 210 B

Imp: B12x500x50



Hsv01-04



NYBORG - MAWENT

NYBORG-MAWENT S.A.
ul. Ciepla 6, 82-200 Malbork
tel.: +48 55 646 63 00
fax: +48 55 646 63 09
office@nyborg-mawent.com
www.nyborg-mawent.com



NYBORG AS
N-6230 Sykkylven, Norway
tel.: +47 70 25 40 80
fax: +47 70 25 29 08
office@nyborgfan.com
www.nyborgfan.com

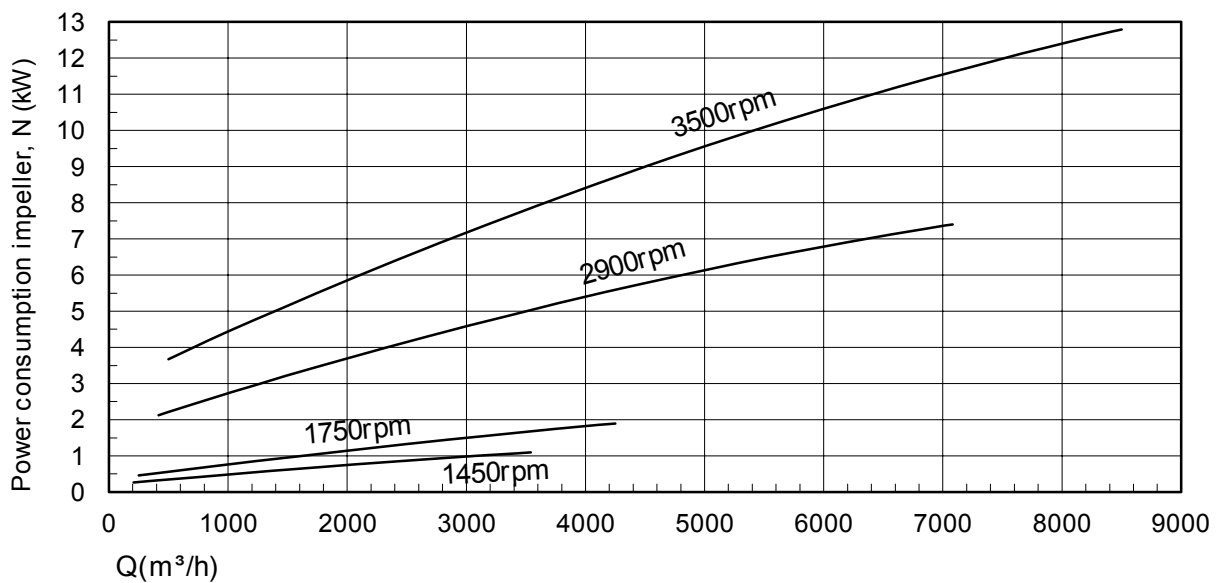
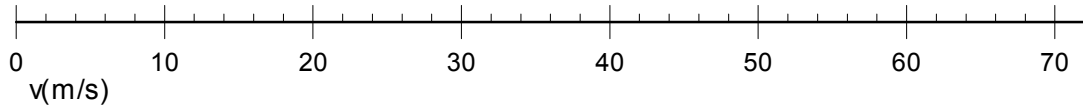
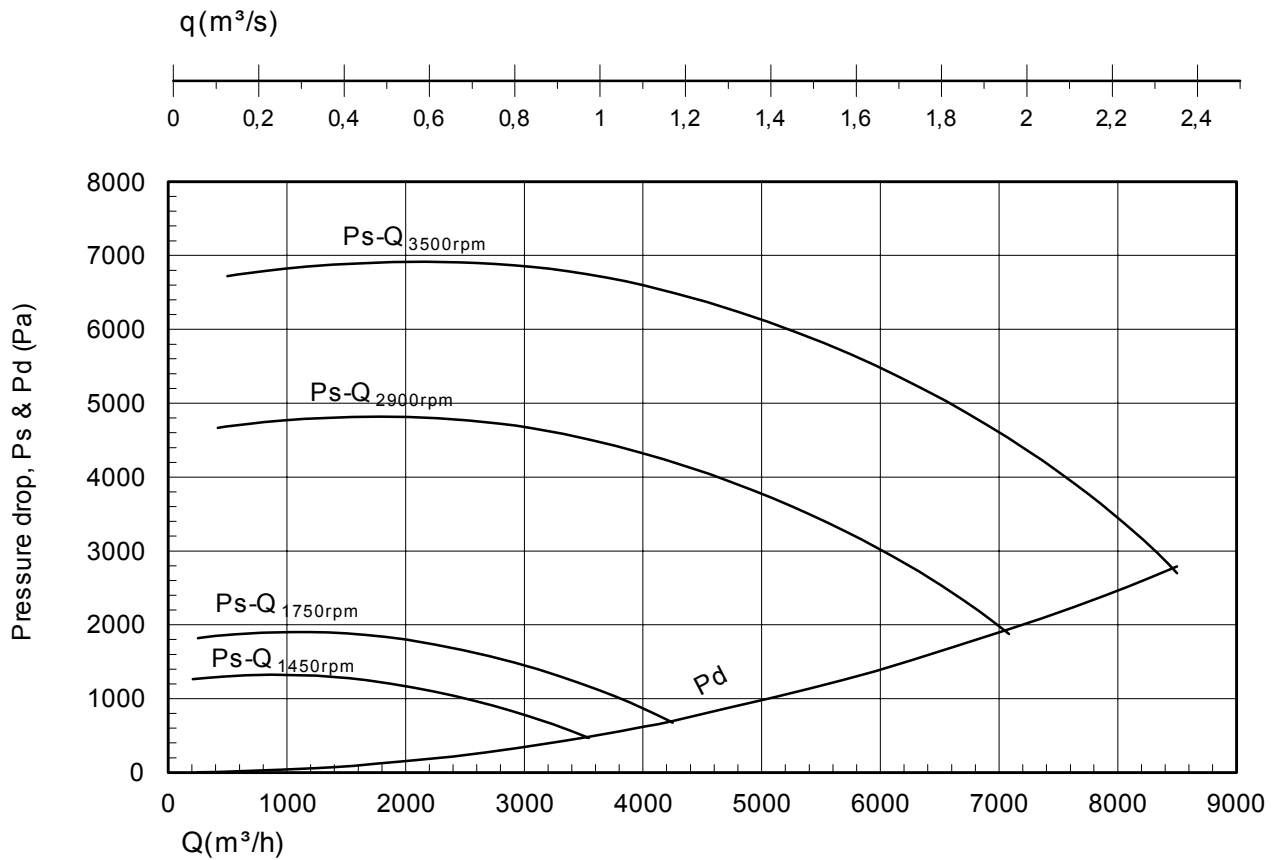
HSV 210 B



HIGH PRESSURE CENTR. FAN PERFORMANCE DATA

HSV 210 B

Imp: B12x550x50



NYBORG - MAWENT

NYBORG-MAWENT S.A.
ul. Ciepla 6, 82-200 Malbork
tel.: +48 55 646 63 00
fax: +48 55 646 63 09
office@nyborg-mawent.com
www.nyborg-mawent.com



NYBORG AS
N-6230 Sykkylven, Norway
tel.: +47 70 25 40 80
fax: +47 70 25 29 08
office@nyborgfan.com
www.nyborgfan.com

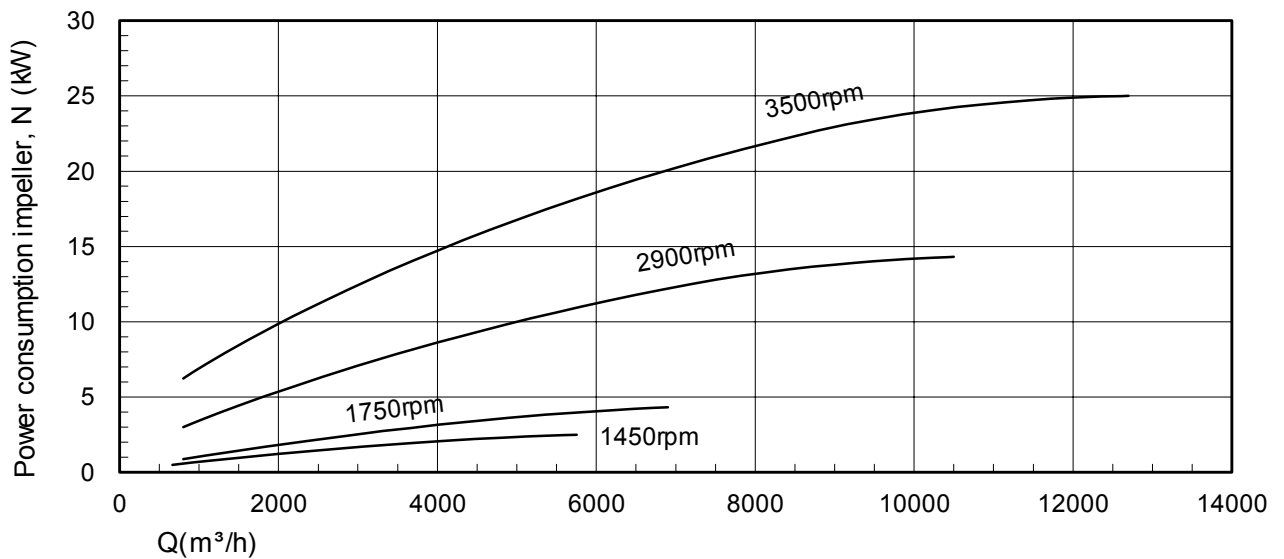
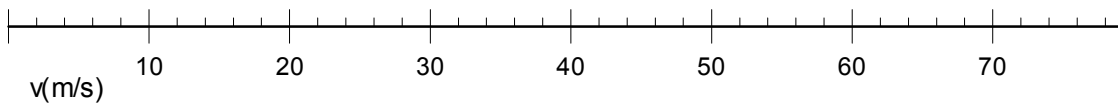
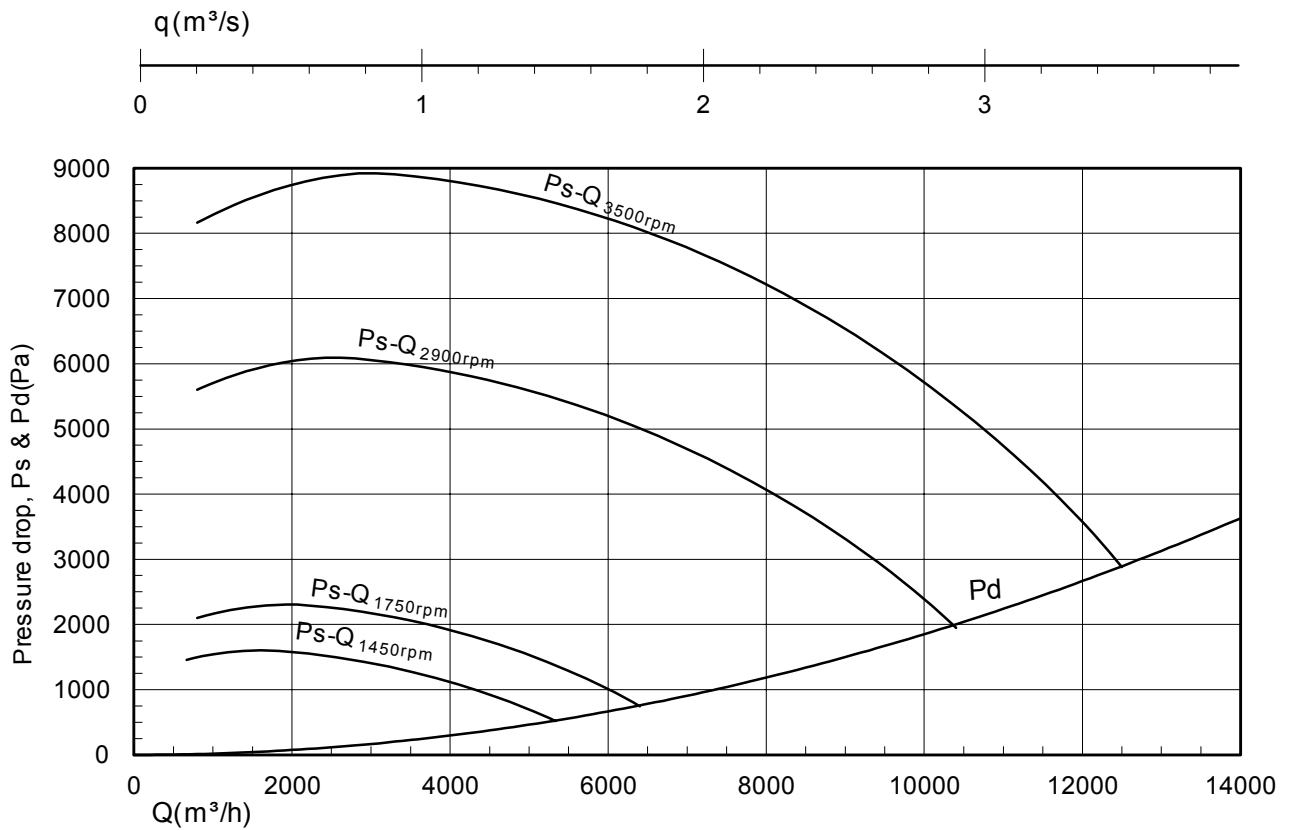
HSV 210 B



HIGH PRESSURE CENTR. FAN PERFORMANCE DATA

HSV 250 B

Imp: B12x620x70



Hsv01-06



NYBORG - MAWENT

NYBORG-MAWENT S.A.
ul. Ciepla 6, 82-200 Malbork
tel.: +48 55 646 63 00
fax: +48 55 646 63 09
office@nyborg-mawent.com
www.nyborg-mawent.com



NYBORG AS

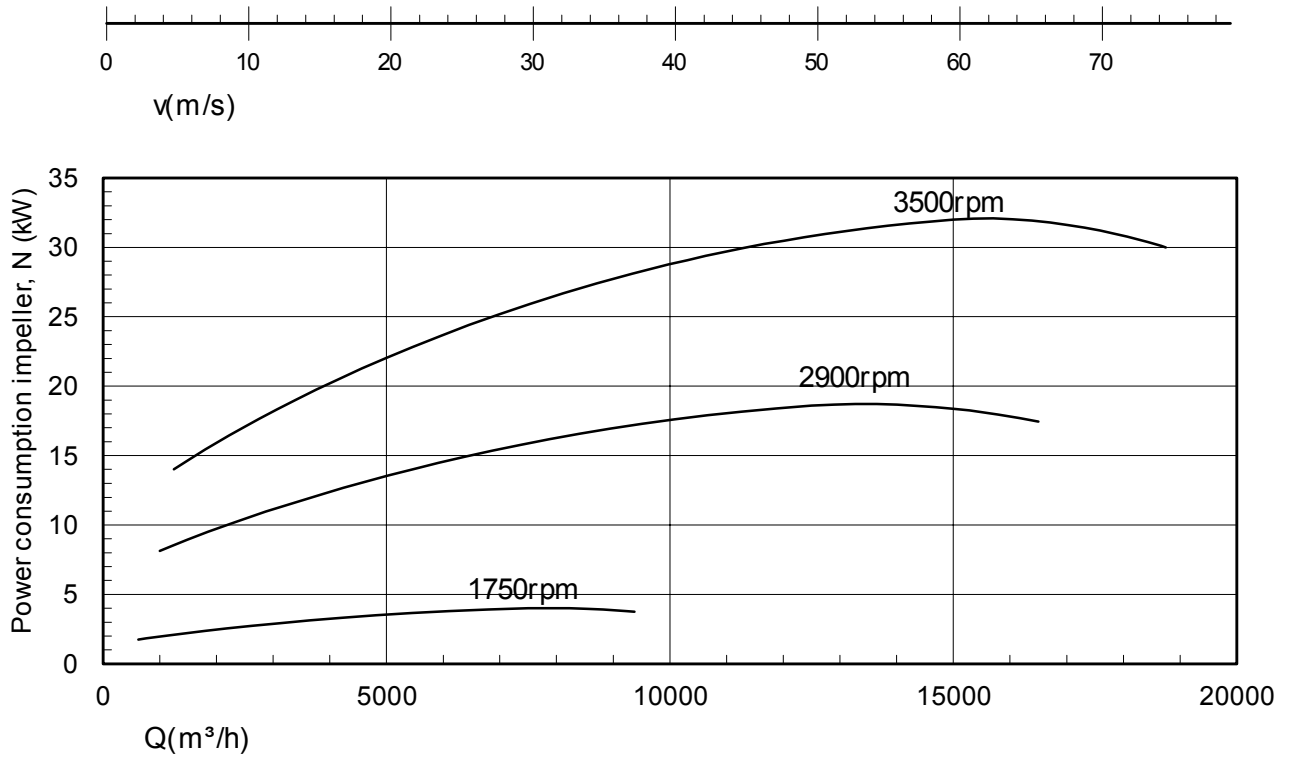
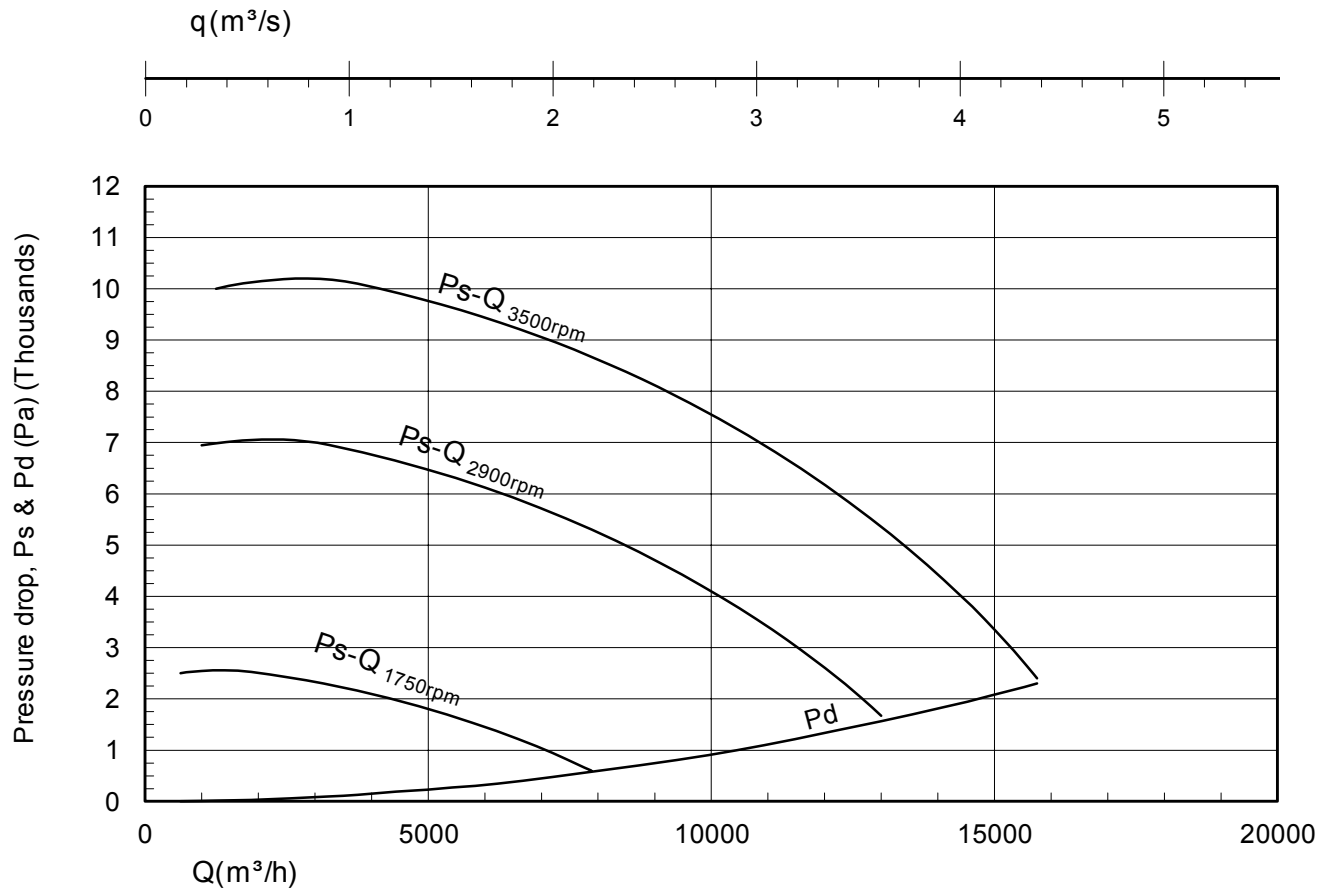
N-6230 Sykkylven, Norway
tel.: +47 70 25 40 80
fax: +47 70 25 29 08
office@nyborgfan.com
www.nyborgfan.com

HSV 250 B



HIGH PRESSURE CENTR. FAN PERFORMANCE DATA

HSV 300 B
Imp: B9x650x75



hsv01-07



NYBORG - MAWENT

NYBORG-MAWENT S.A.
ul. Ciepła 6, 82-200 Malbork
tel.: +48 55 646 63 00
fax: +48 55 646 63 09
office@nyborg-mawent.com
www.nyborg-mawent.com



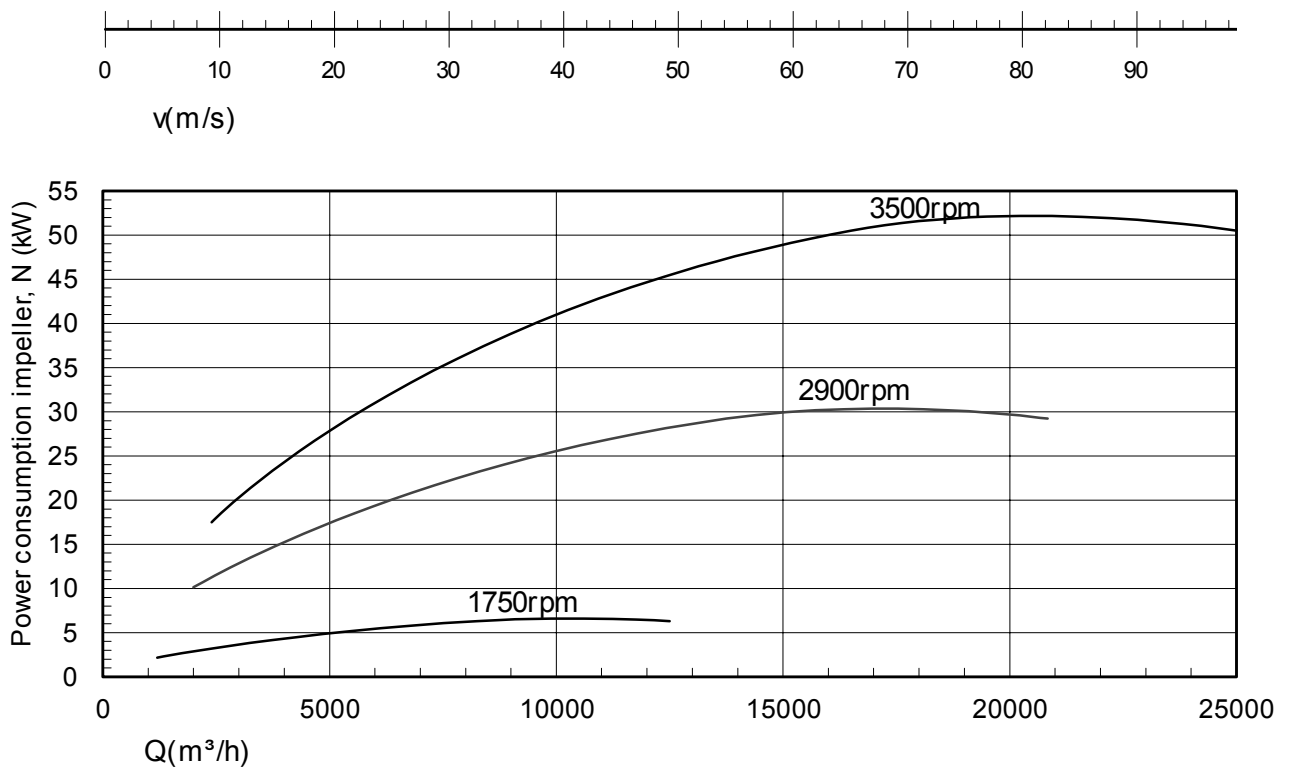
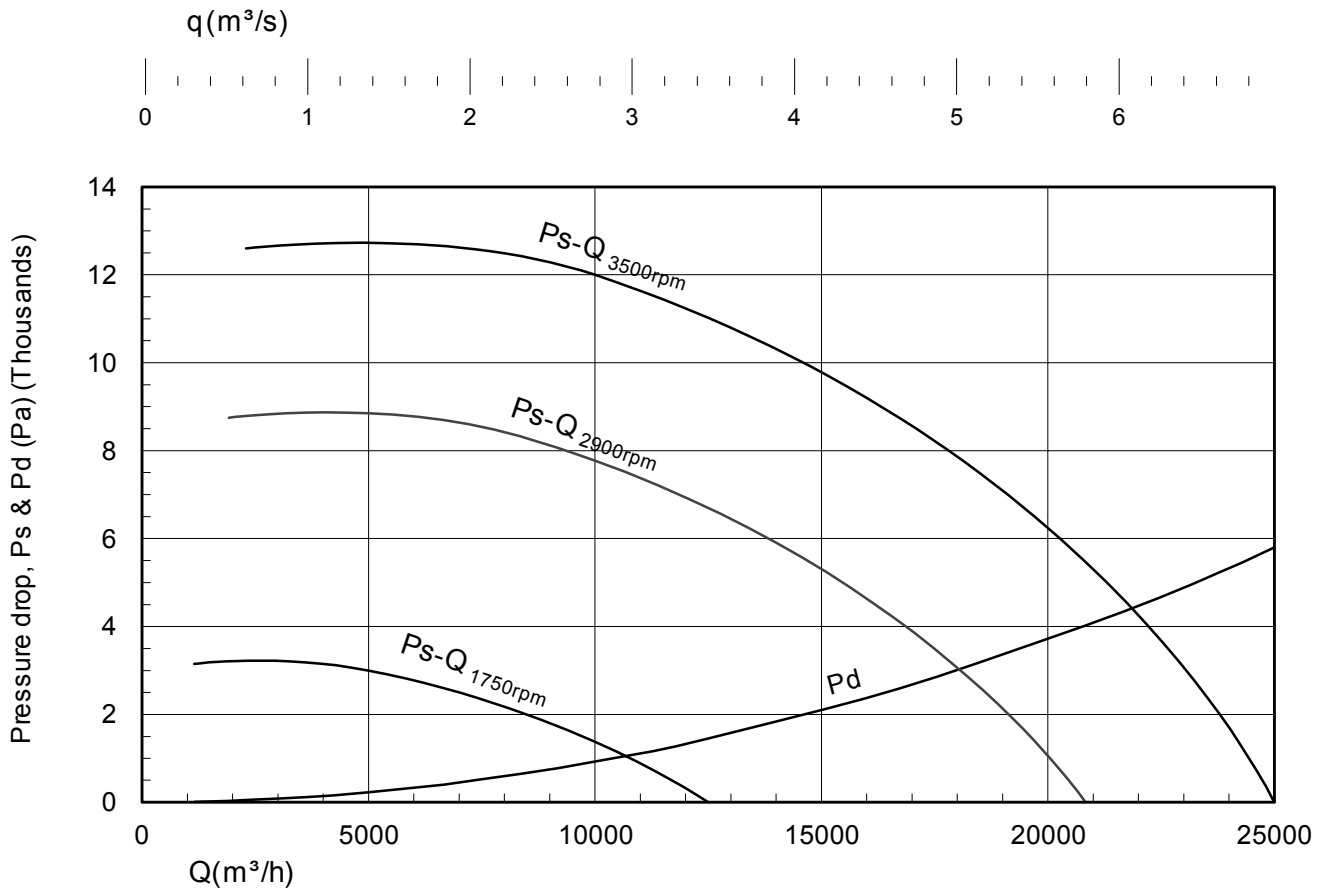
NYBORG AS
N-6230 Sykkylven, Norway
tel.: +47 70 25 40 80
fax: +47 70 25 29 08
office@nyborgfan.com
www.nyborgfan.com

HSV 300 B



HIGH PRESSURE CENTR. FAN PERFORMANCE DATA

HSV 300 B
Imp: B9x720x75



Hsv01-17



NYBORG - MAWENT

NYBORG-MAWENT S.A.
ul. Ciepla 6, 82-200 Malbork
tel.: +48 55 646 63 00
fax: +48 55 646 63 09
office@nyborg-mawent.com
www.nyborg-mawent.com



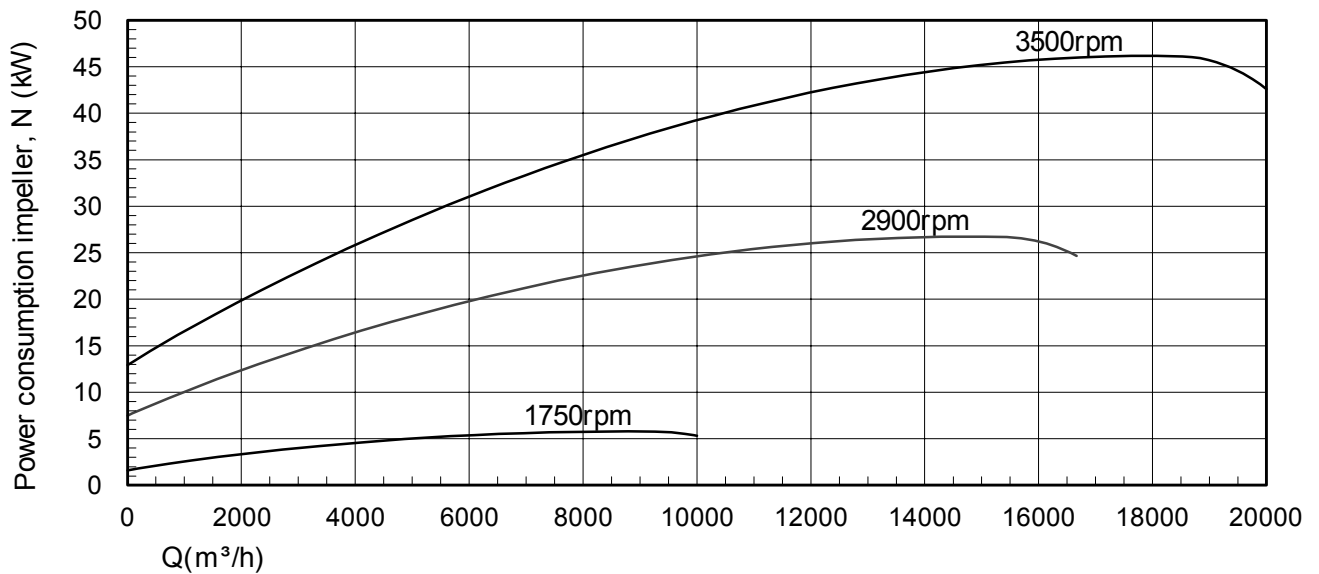
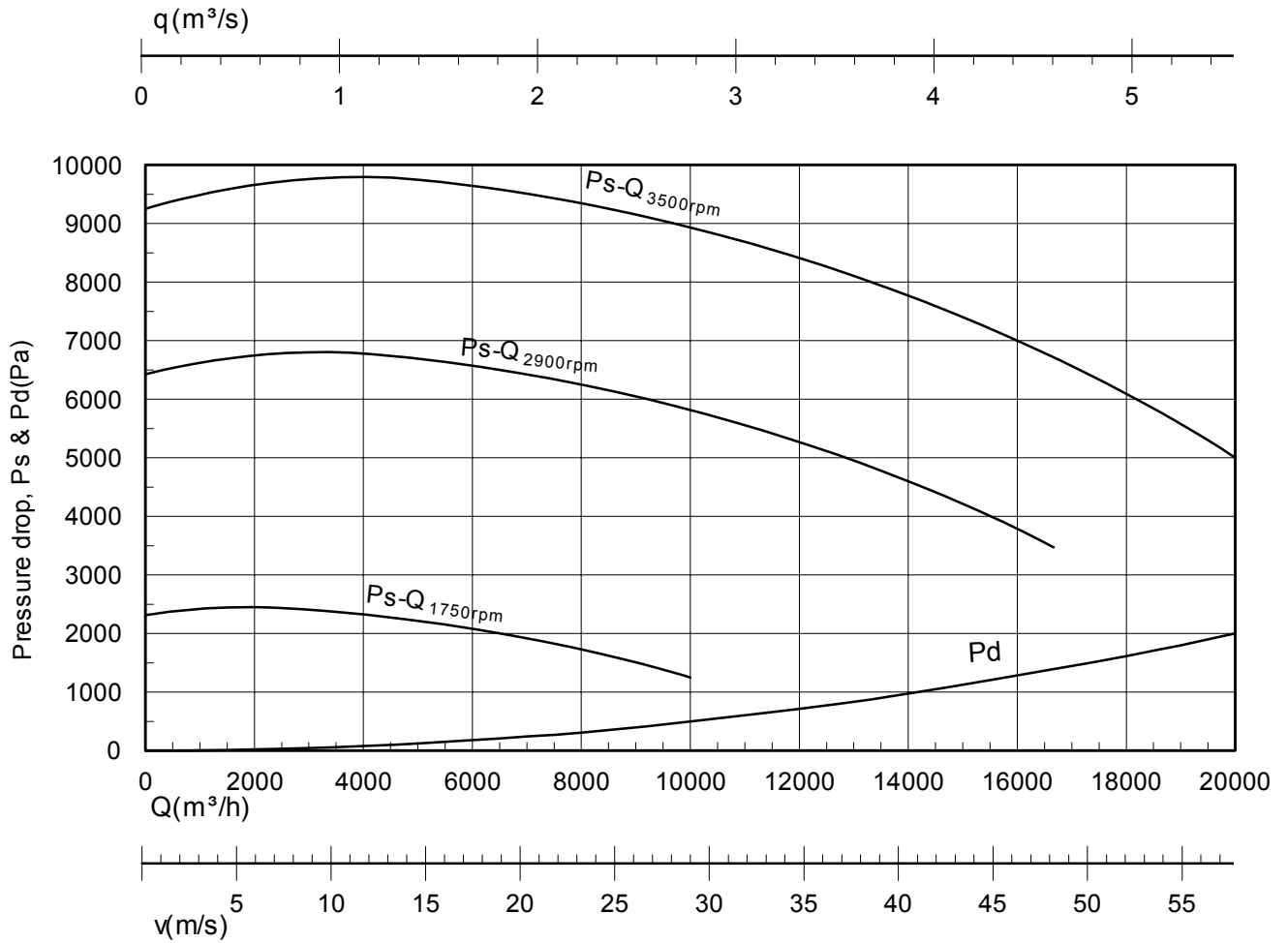
NYBORG AS
N-6230 Sykkylven, Norway
tel.: +47 70 25 40 80
fax: +47 70 25 29 08
office@nyborgfan.com
www.nyborgfan.com

HSV 300 B



HIGH PRESSURE CENTR. FAN PERFORMANCE DATA

HSV 350 B
Imp: B9x700x80



hsv01-09



NYBORG - MAWENT

NYBORG-MAWENT S.A.
ul. Ciepla 6, 82-200 Malbork
tel.: +48 55 646 63 00
fax: +48 55 646 63 09
office@nyborg-mawent.com
www.nyborg-mawent.com



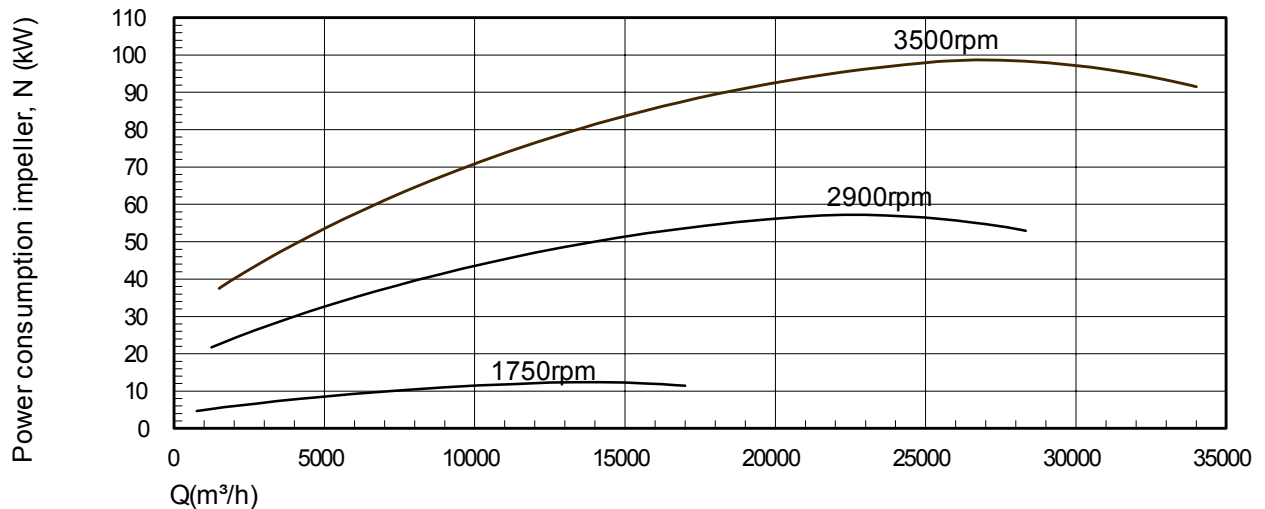
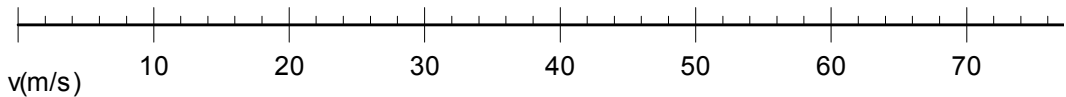
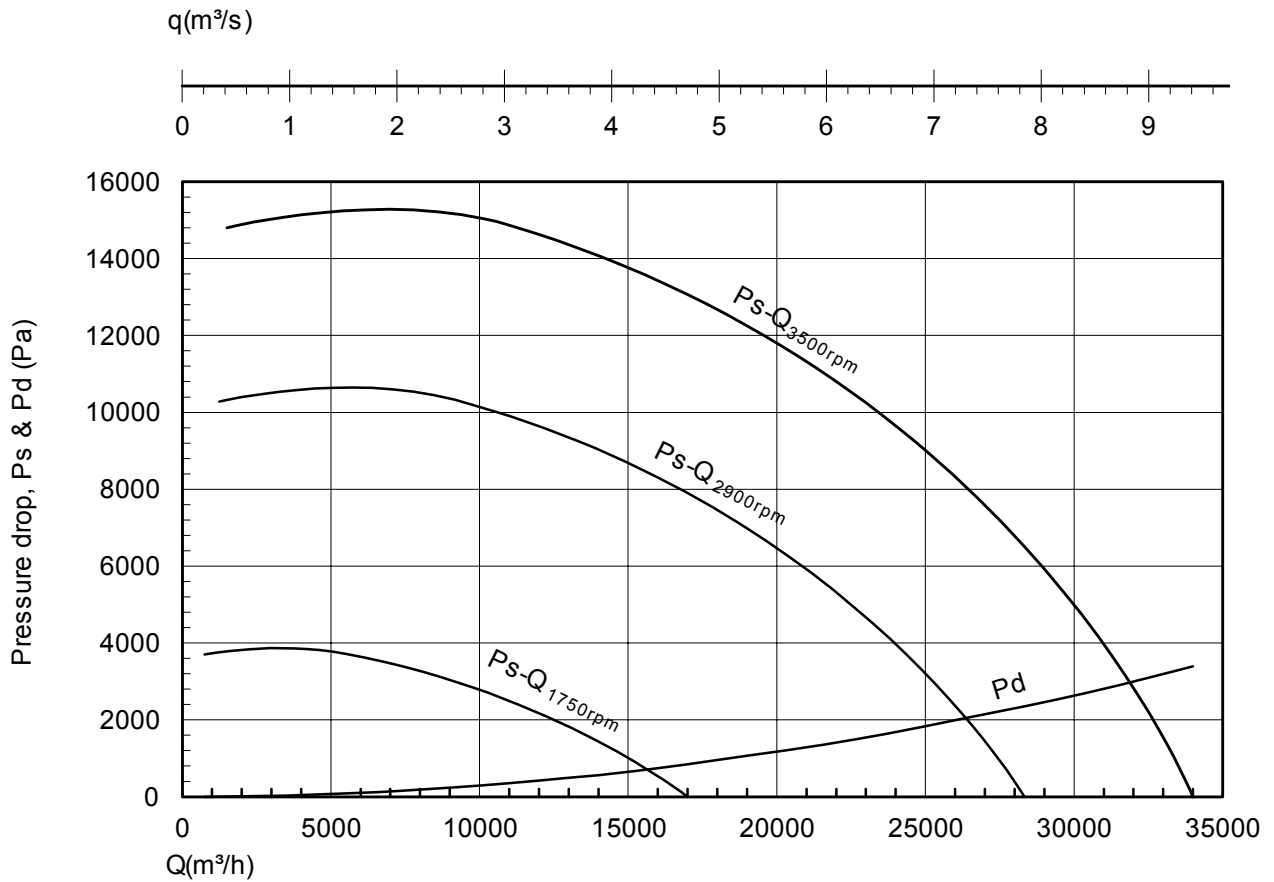
NYBORG AS
N-6230 Sykkylven, Norway
tel.: +47 70 25 40 80
fax: +47 70 25 29 08
office@nyborgfan.com
www.nyborgfan.com

HSV 350 B



HIGH PRESSURE CENTR. FAN PERFORMANCE DATA

HSV 400 B
Imp: B9x800x95



HSV.PRS-11



NYBORG - MAWENT

NYBORG-MAWENT S.A.
ul. Ciepla 6, 82-200 Malbork
tel.: +48 55 646 63 00
fax: +48 55 646 63 09
office@nyborg-mawent.com
www.nyborg-mawent.com



NYBORG AS
N-6230 Sykkylven, Norway
tel.: +47 70 25 40 80
fax: +47 70 25 29 08
office@nyborgfan.com
www.nyborgfan.com

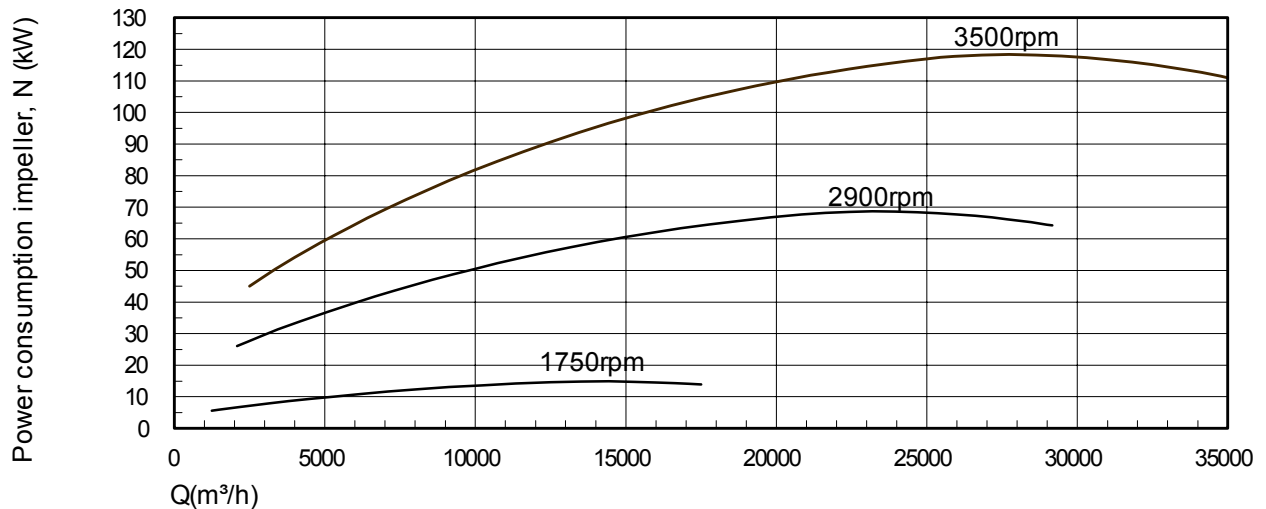
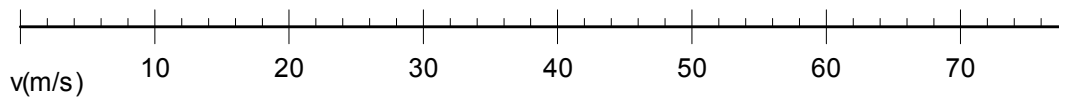
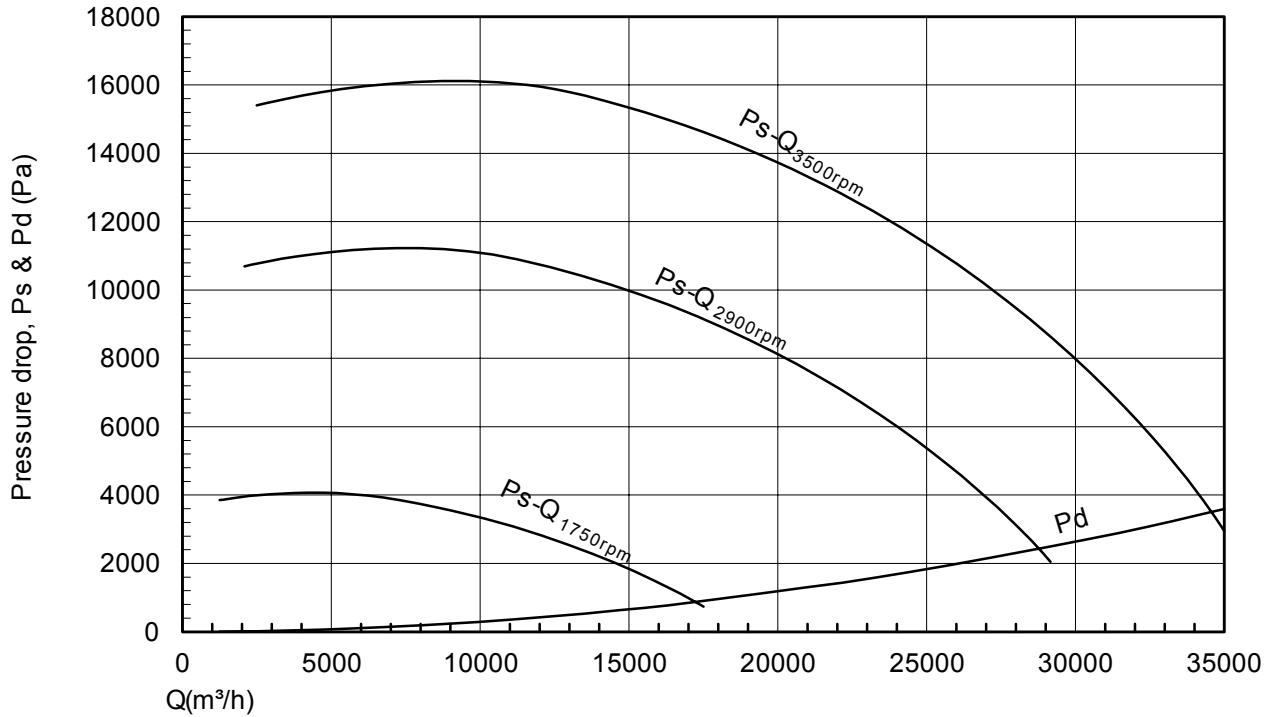
HSV 400 B



HIGH PRESSURE CENTR. FAN PERFORMANCE DATA

HSV 400 B
Imp: B9x830x95

$q(m^3/s)$



hsv01-10



NYBORG - MAWENT

NYBORG-MAWENT S.A.
ul. Ciepla 6, 82-200 Malbork
tel.: +48 55 646 63 00
fax: +48 55 646 63 09
office@nyborg-mawent.com
www.nyborg-mawent.com



NYBORG AS
N-6230 Sykkylven, Norway
tel.: +47 70 25 40 80
fax: +47 70 25 29 08
office@nyborgfan.com
www.nyborgfan.com

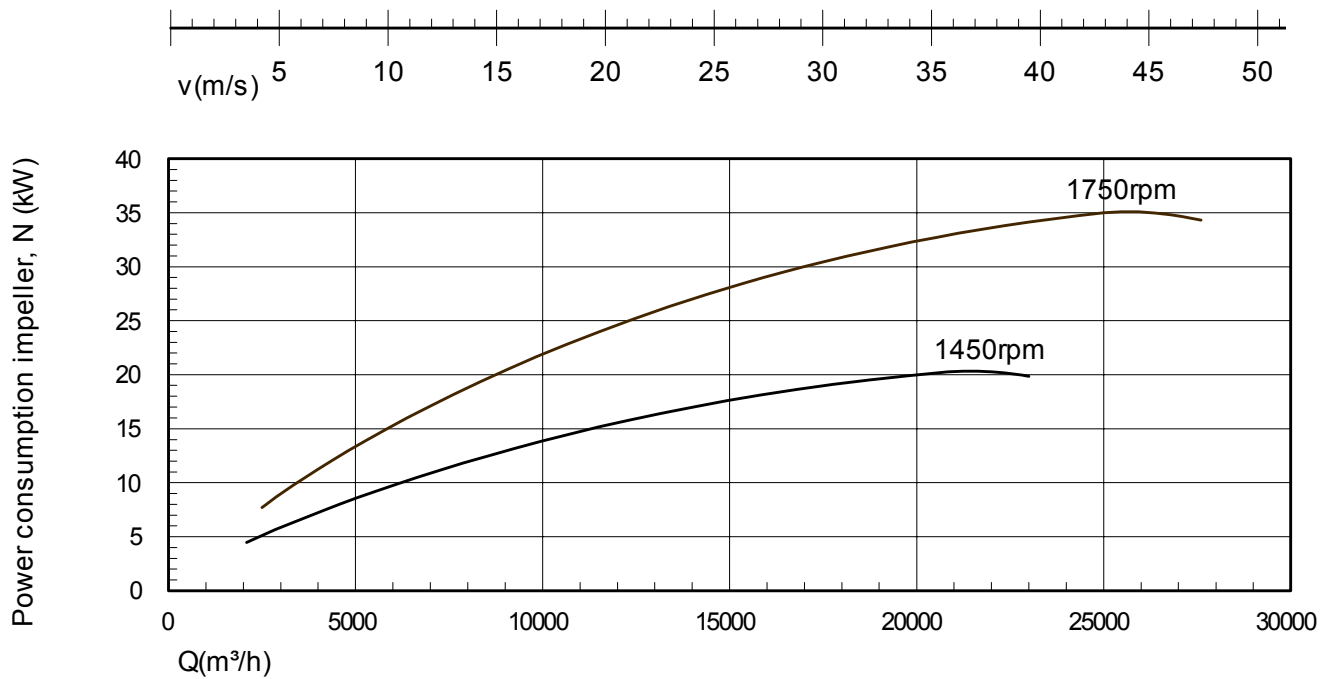
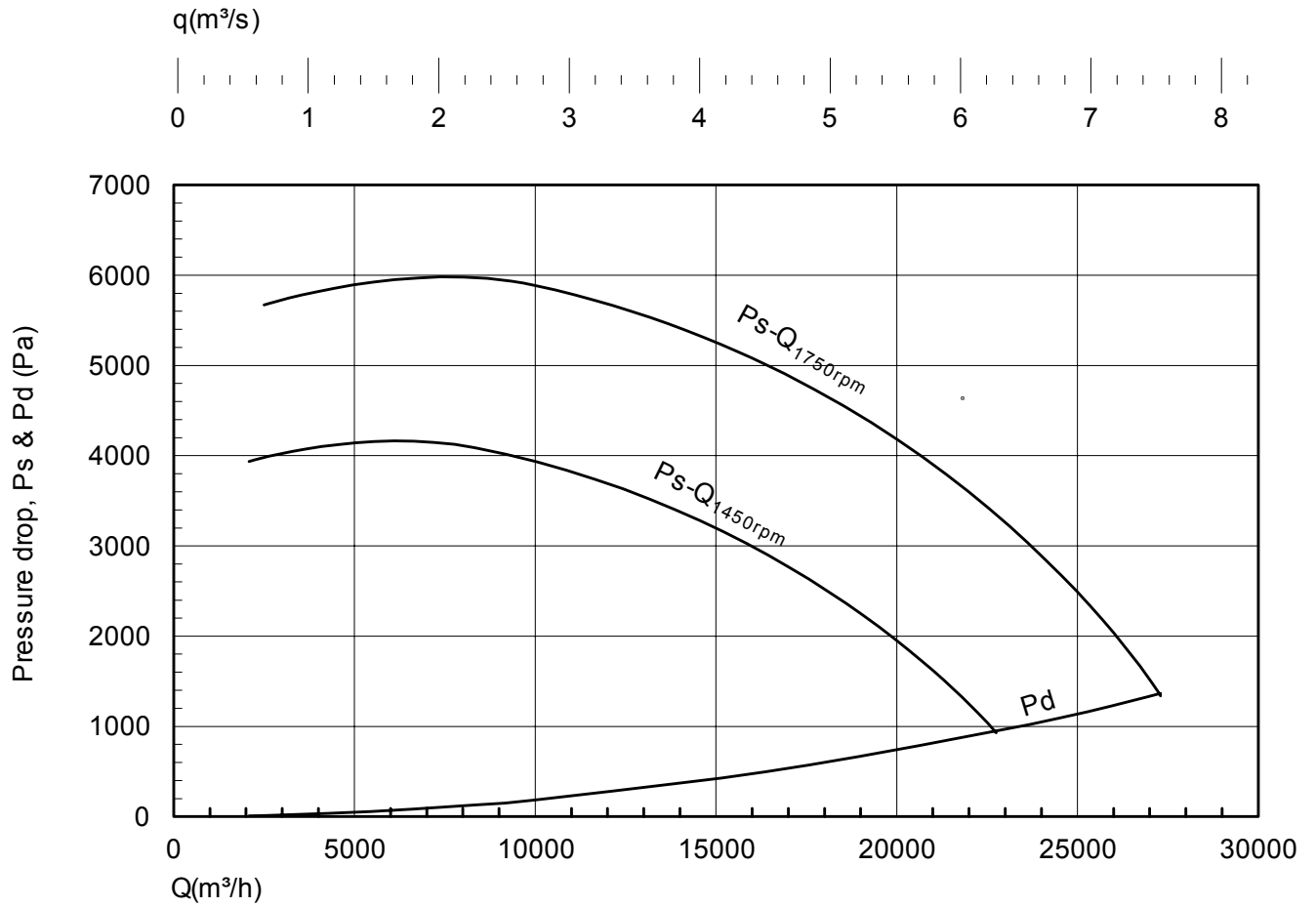
HSV 400 B



HIGH PRESSURE CENTR. FAN PERFORMANCE DATA

HSV 450 B

Imp: B12x1000x95



hsv01-12



NYBORG - MAWENT

NYBORG-MAWENT S.A.
ul. Ciepla 6, 82-200 Malbork
tel.: +48 55 646 63 00
fax: +48 55 646 63 09
office@nyborg-mawent.com
www.nyborg-mawent.com



NYBORG AS
N-6230 Sykkylven, Norway
tel.: +47 70 25 40 80
fax: +47 70 25 29 08
office@nyborgfan.com
www.nyborgfan.com

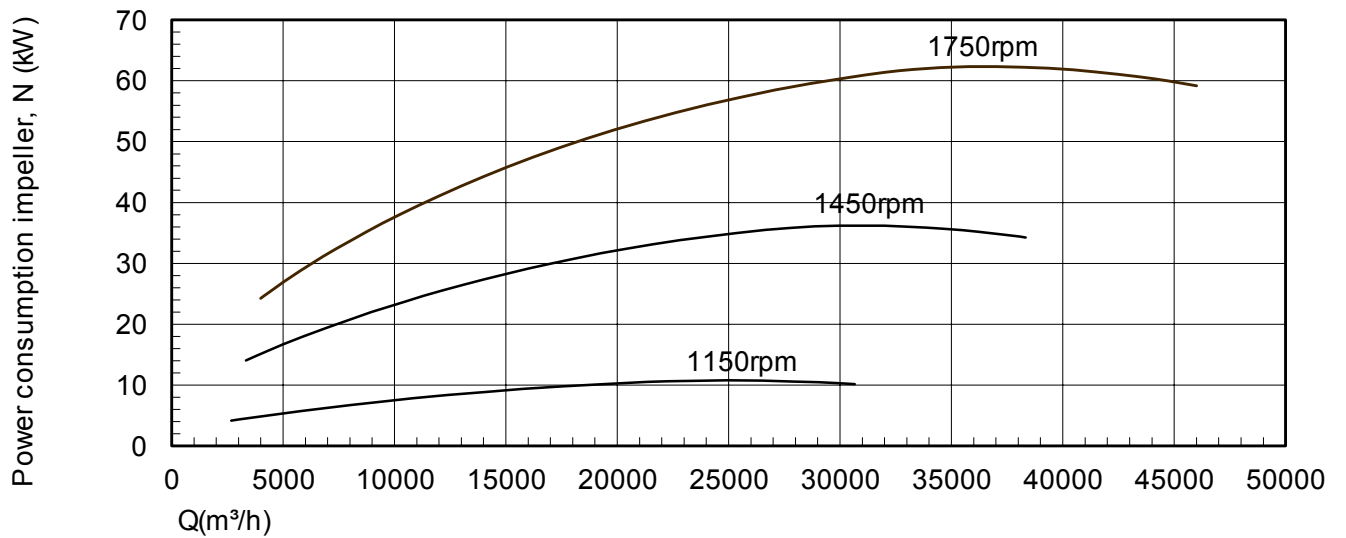
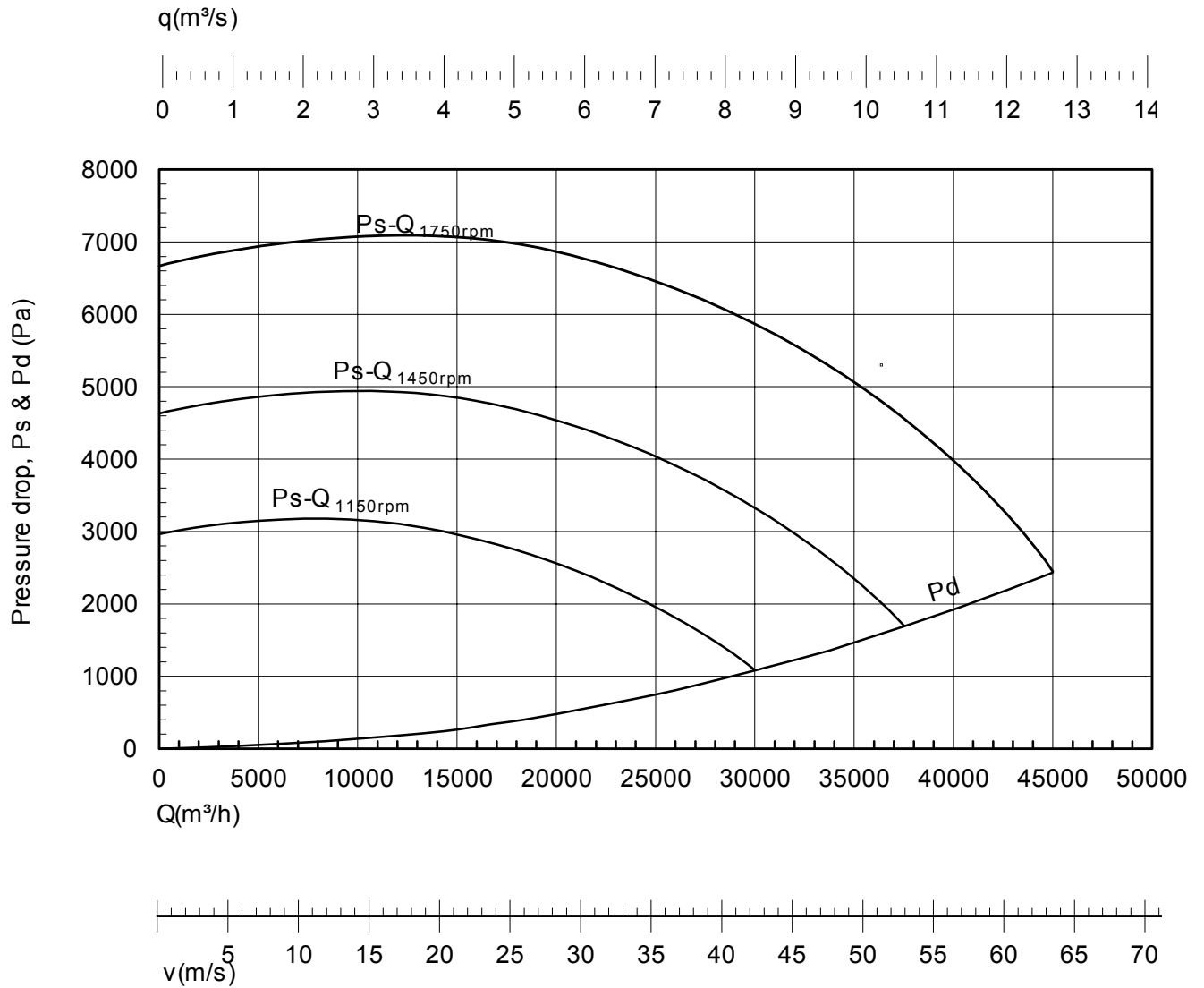
HSV 450 B



HIGH PRESSURE CENTR. FAN PERFORMANCE DATA

HSV 500 B

Imp: B12x1100x125



hsv01-13



NYBORG - MAWENT

NYBORG-MAWENT S.A.
ul. Ciepła 6, 82-200 Malbork
tel.: +48 55 646 63 00
fax: +48 55 646 63 09
office@nyborg-mawent.com
www.nyborg-mawent.com



NYBORG AS

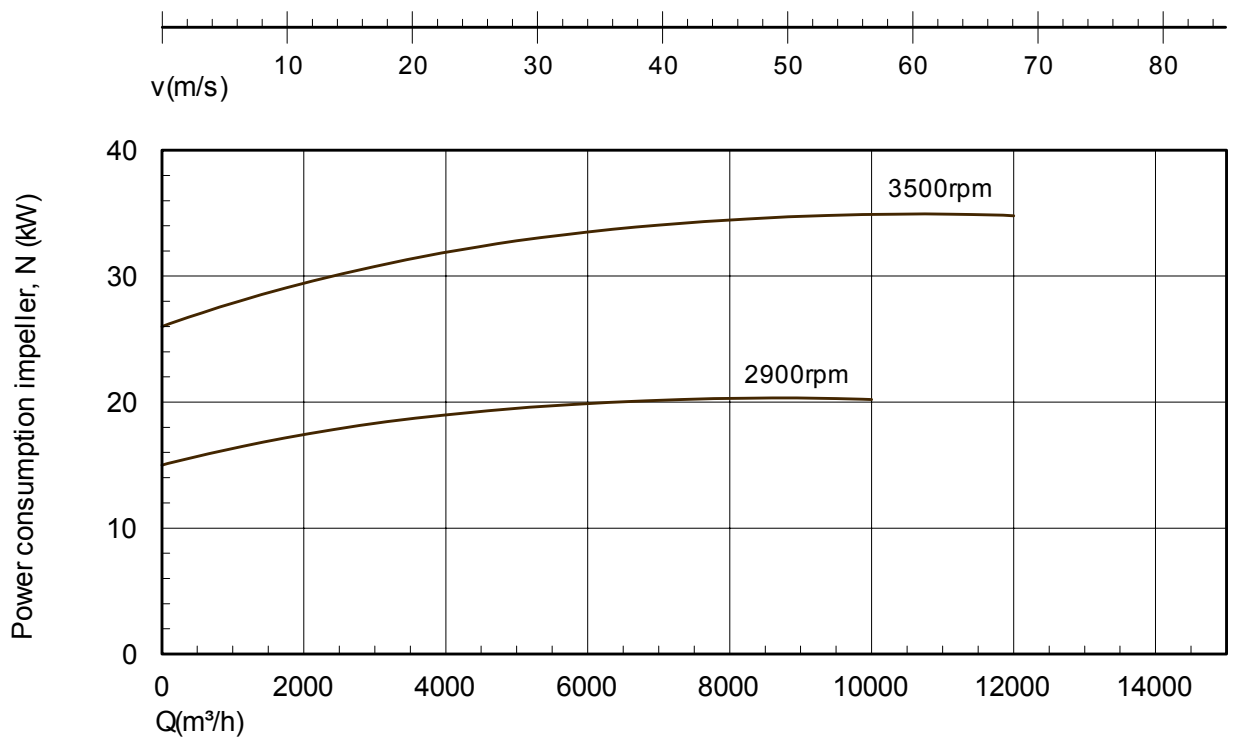
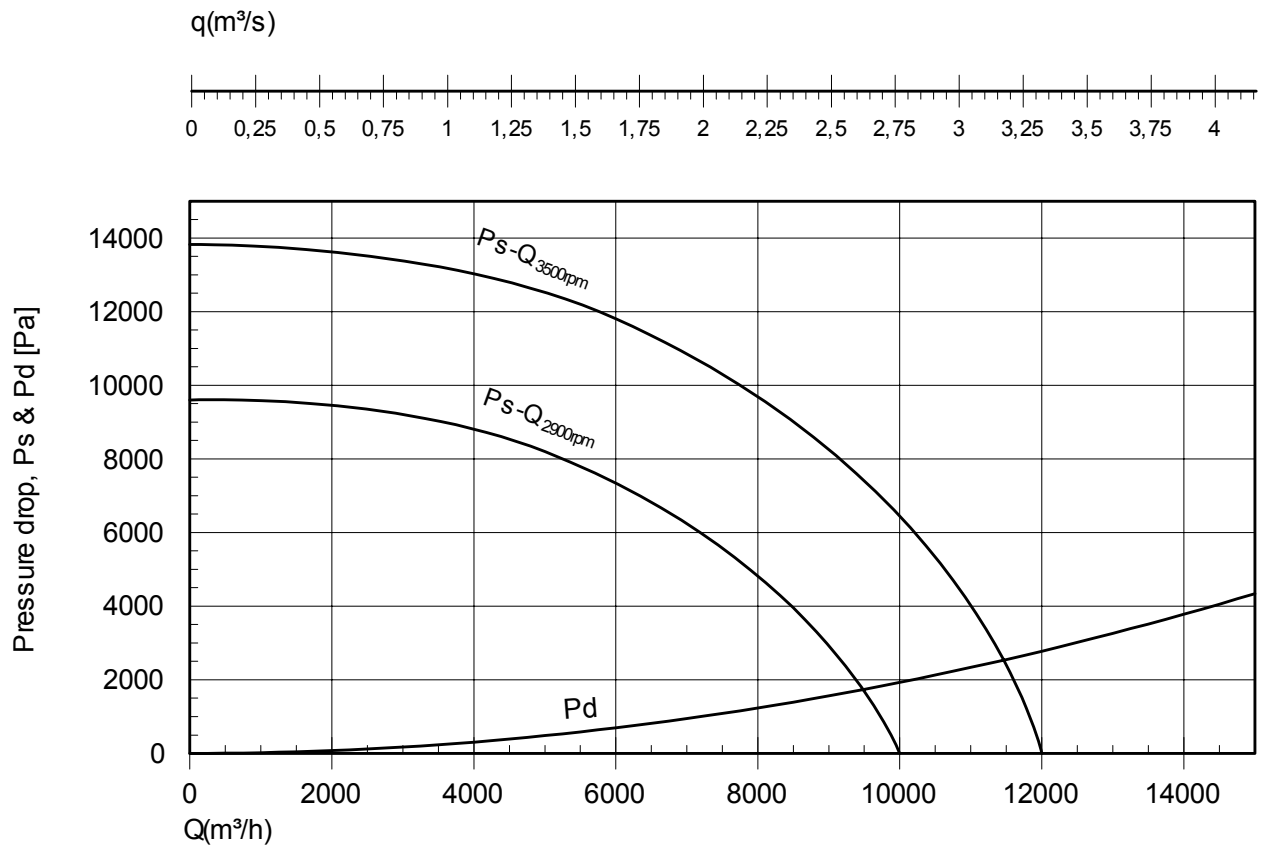
N-6230 Sykkylven, Norway
tel.: +47 70 25 40 80
fax: +47 70 25 29 08
office@nyborgfan.com
www.nyborgfan.com

HSV 500 B



HIGH PRESSURE CENTR. FAN PERFORMANCE DATA

HRV 250 B
Imp: B9x720x35



hrv2-2



NYBORG - MAWENT

NYBORG-MAWENT S.A.
ul. Ciepla 6, 82-200 Malbork
tel.: +48 55 646 63 00
fax: +48 55 646 63 09
office@nyborg-mawent.com
www.nyborg-mawent.com



NYBORG AS
N-6230 Sykkylven, Norway
tel.: +47 70 25 40 80
fax: +47 70 25 29 08
office@nyborgfan.com
www.nyborgfan.com

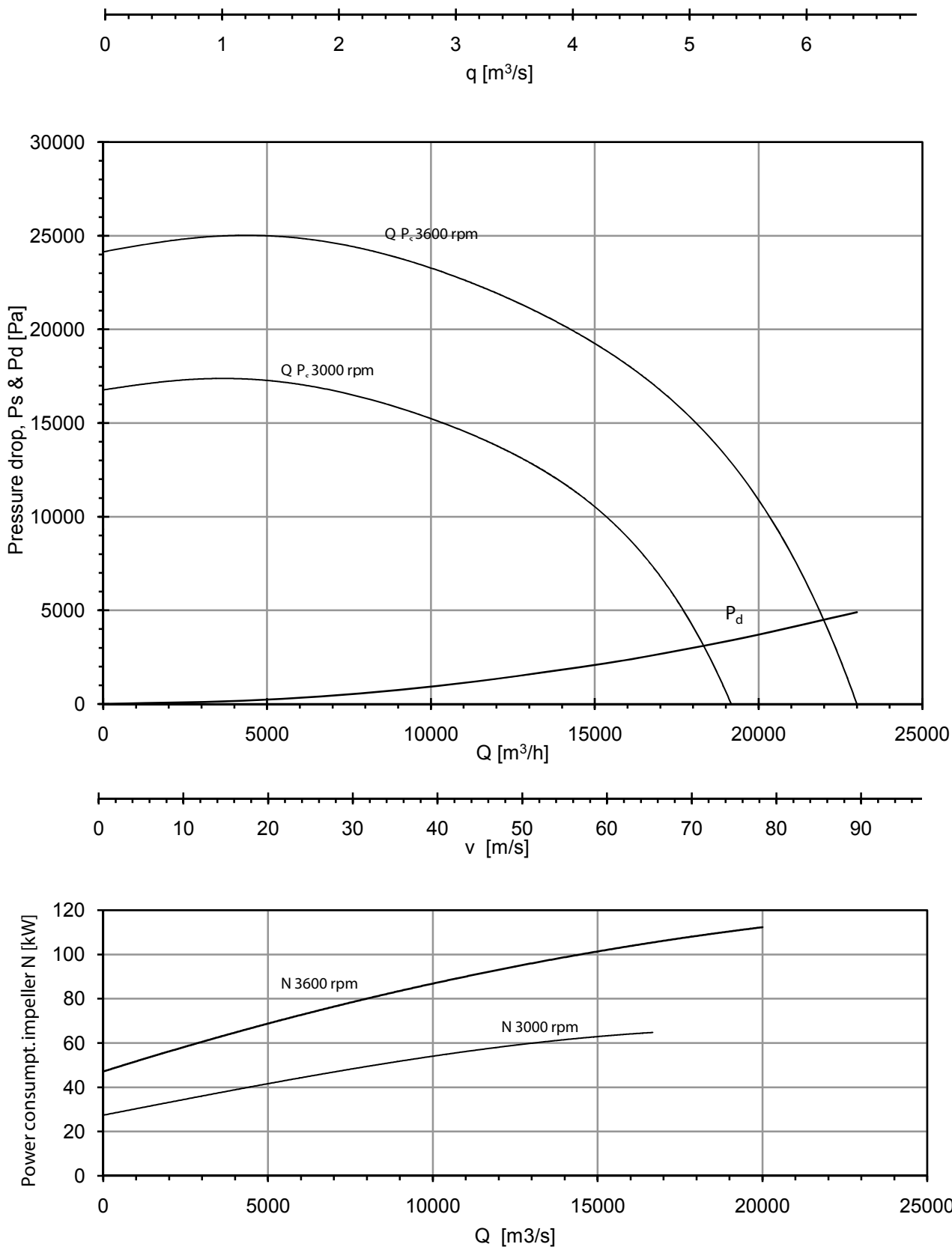
HRV 250 B



NYBORG HIGH PRESS. CENTR. FAN PERFORMANCE DATA

HRV 300 B

Imp: B9x975x35



hsv01_xls-10
18.02.2009-omk



NYBORG-MAWENT S.A.
ul. Ciepla 6, 82-200 Malbork
tel.: +48 55 646 63 00
fax: +48 55 646 63 09
office@nyborg-mawent.com
www.nyborg-mawent.com



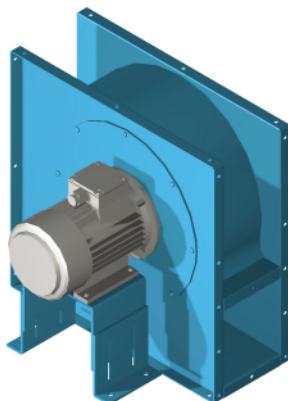
NYBORG AS
N-6230 Sykkylven, Norway
tel.: +47 70 25 40 80
fax: +47 70 25 29 08
office@nyborgfan.com
www.nyborgfan.com

HRV 300 B

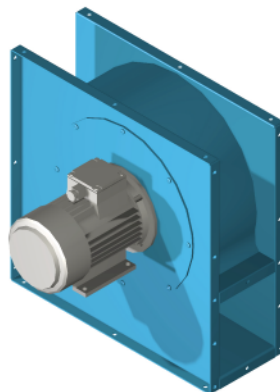


CENTRIFUGAL FANS

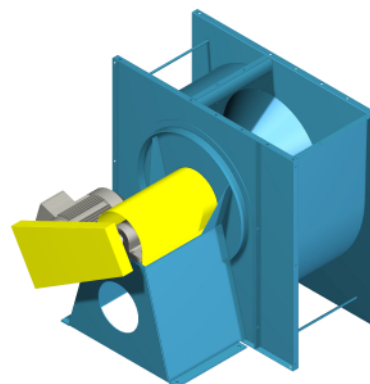
LSV - B1



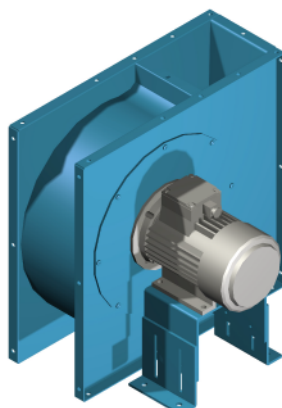
LSV - B1



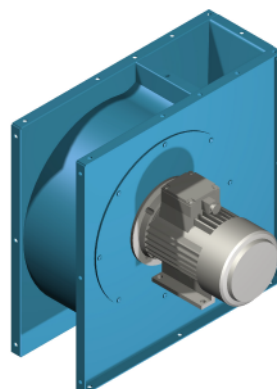
LSV - B3



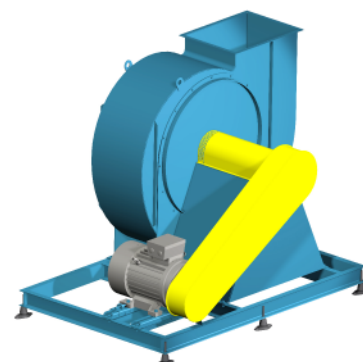
MSV - B1



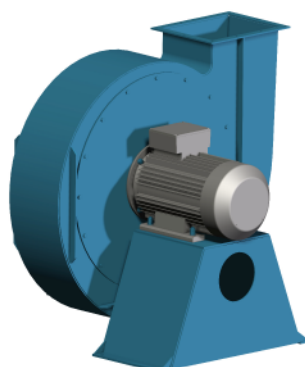
MSV - B1



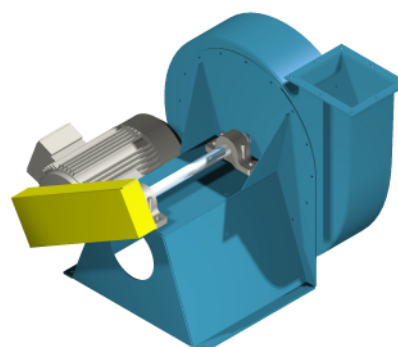
MSV - B2



HSV - B1



HSV - B3



NYBORG-MAWENT S.A.
ul. Ciepła 6, 82-200 Malbork
tel.: +48 55 646 63 00
fax: +48 55 646 63 09
office@nyborg-mawent.com
www.nyborg-mawent.com



NYBORG AS
N-6230 Sykkylven, Norway
tel.: +47 70 25 40 80
fax: +47 70 25 29 08
office@nyborgfan.com
www.nyborgfan.com

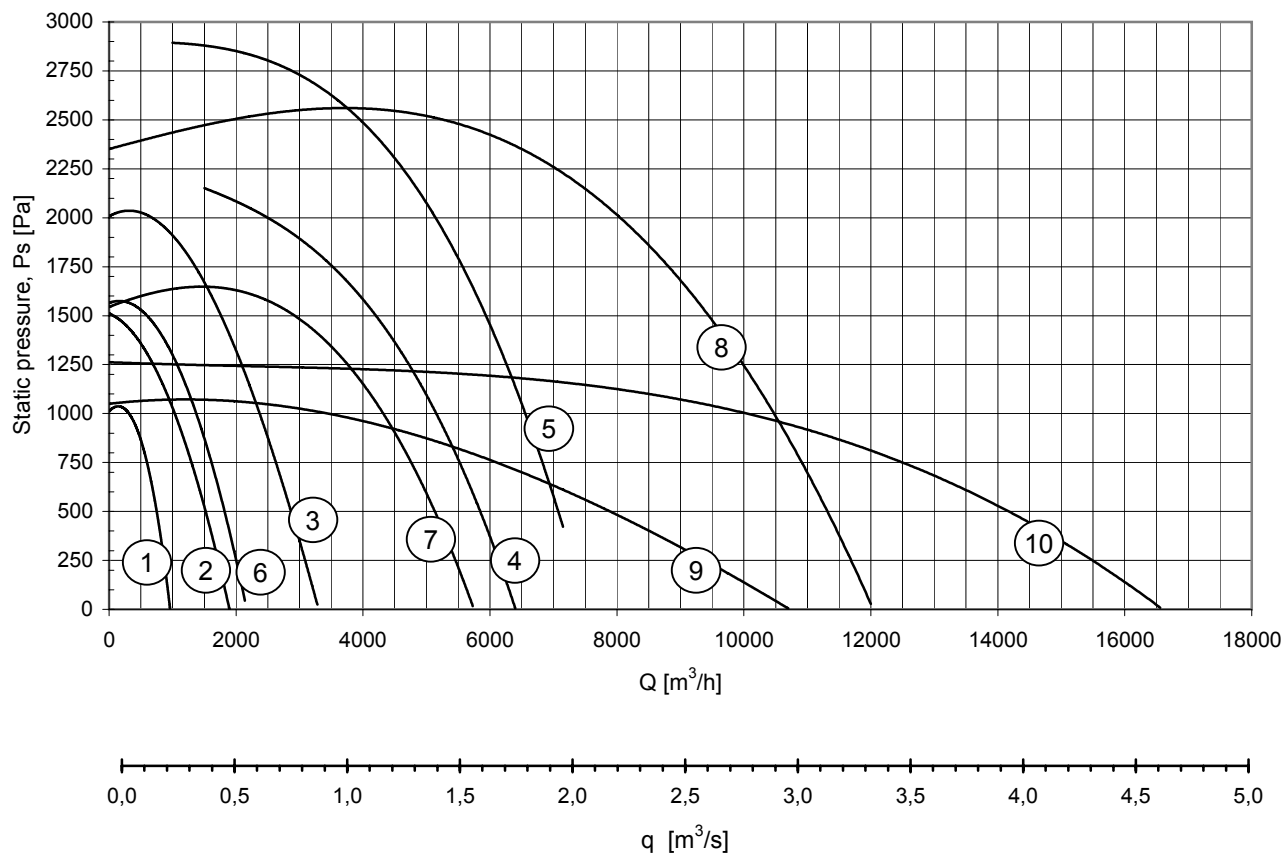


CENTRIFUGAL FANS

selection curves

(50Hz)

LSV and MSV



| Curve | Fan | rpm | Fan power cons. [kW] | Sound press. [dBA] 1m | Motor | Motor power [kW] | Current [A] (400V) | Current [A] (230V) |
|-------|------------|------|----------------------|-----------------------|---------|------------------|--------------------|--------------------|
| 1 | MSV 125 B1 | 2900 | 0,34 | 70 | 71M02K | 0,37 | 1,05 | 1,9 |
| 2 | MSV 160 B1 | 2900 | 0,58 | 75 | 80M02K | 0,86 | 1,85 | 3,35 |
| 3 | MSV 200 B1 | 2900 | 1,18 | 79 | 90S02 | 1,5 | 3,5 | 6,1 |
| 4 | MSV 250 B1 | 2900 | 3,4 | 85 | 112M02 | 4 | 8,2 | 14,2 |
| 5 | MSV 315 B1 | 2900 | 5,5 | 88 | 132S02K | 5,5 | 11,7 | 19,6 |
| 6 | LSV 250 B1 | 2900 | 0,88 | 75 | 80M02 | 1,1 | 2,55 | 4,4 |
| 7 | LSV 315 B1 | 2900 | 1,92 | 81 | 90L02 | 2,2 | 4,8 | 8,4 |
| 8 | LSV 400 B1 | 2900 | 7,5 | 88 | 132S02 | 7,5 | 15 | 25,5 |
| 9 | LSV 500 B1 | 1450 | 2,4 | 76 | 100L04 | 3 | 7 | 12 |
| 10 | LSV 600 B1 | 1450 | 3,8 | 81 | 112M04 | 4 | 9,3 | 16 |

nybmw_06-01
01.mar.06



NYBORG-MAWENT S.A.
ul. Ciepła 6, 82-200 Malbork
tel.: +48 55 646 63 00
fax: +48 55 646 63 09
office@nyborg-mawent.com
www.nyborg-mawent.com



NYBORG AS
N-6230 Sykkylven, Norway
tel.: +47 70 25 40 80
fax: +47 70 25 29 08
office@nyborgfan.com
www.nyborgfan.com

LSV and MSV

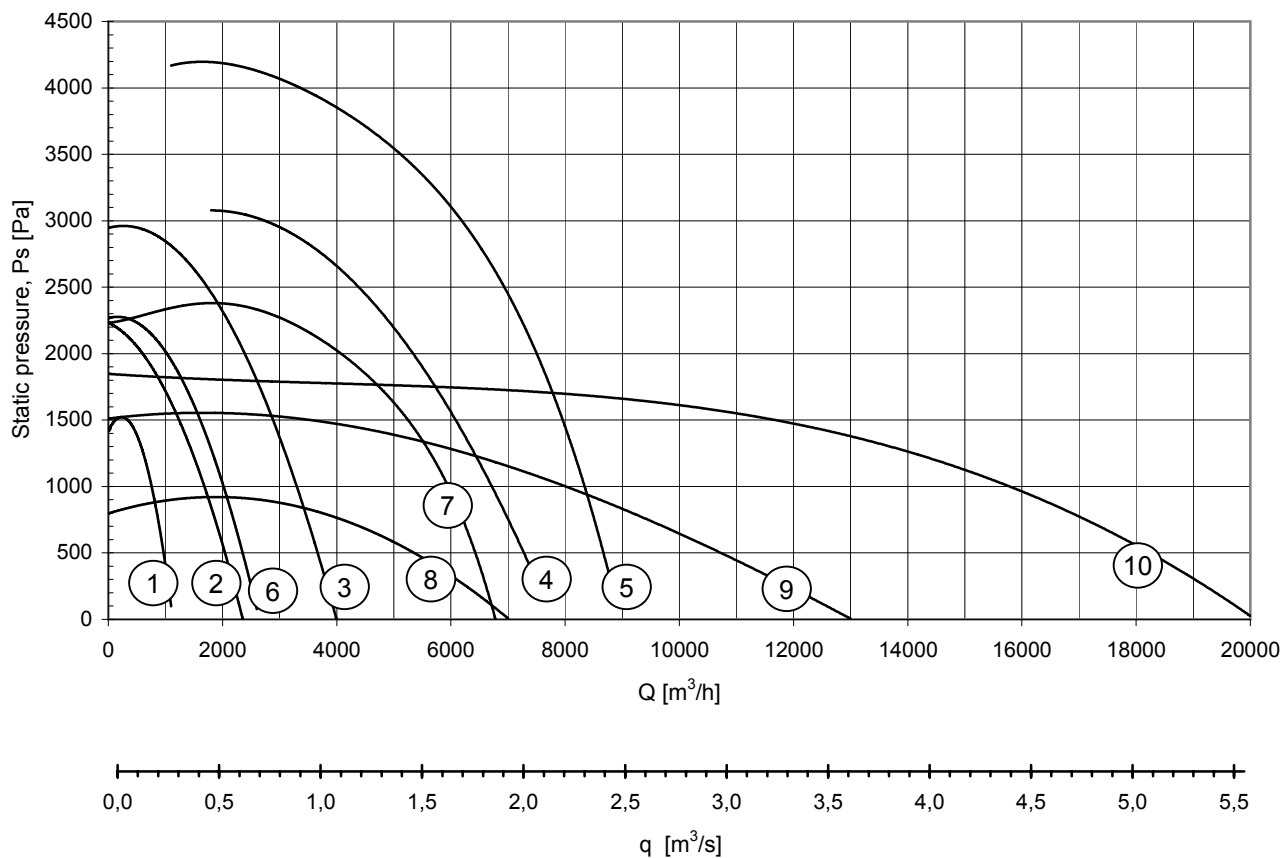


CENTRIFUGAL FANS

selection curves

(60Hz)

LSV and MSV



| Curve | Fan | rpm | Fan power cons. [kW] | Sound press. [dBA] 1m | Motor | Motor power [kW] | Current [A] (440V) |
|-------|------------|------|----------------------|-----------------------|--------|------------------|--------------------|
| 1 | MSV 125 B1 | 3500 | 0,58 | 75 | 71M02 | 0,63 | 1,4 |
| 2 | MSV 160 B1 | 3500 | 1,02 | 80 | 80M02 | 1,3 | 2,5 |
| 3 | MSV 200 B1 | 3500 | 2,08 | 83 | 90L02 | 2,55 | 4,8 |
| 4 | MSV 250 B1 | 3500 | 6,1 | 89 | 112M02 | 6,3 | 11 |
| 5 | MSV 315 B1 | 3500 | 9,6 | 93 | 132M02 | 12,6 | 20,6 |
| 6 | LSV 250 B1 | 3500 | 1,55 | 82 | 90S02 | 1,75 | 3,4 |
| 7 | LSV 315 B1 | 3500 | 3,4 | 85 | 100L02 | 3,45 | 6,3 |
| 8 | LSV 400 B1 | 1750 | 1,55 | 72 | 90L04 | 1,75 | 3,6 |
| 9 | LSV 500 B1 | 1750 | 4,2 | 79 | 112M04 | 4,6 | 8,8 |
| 10 | LSV 600 B1 | 1750 | 6,7 | 84 | 132M04 | 8,6 | 16 |

nybmw_06-02
01.mar.06



NYBORG-MAWENT S.A.
ul. Ciepła 6, 82-200 Malbork
tel.: +48 55 646 63 00
fax: +48 55 646 63 09
office@nyborg-mawent.com
www.nyborg-mawent.com

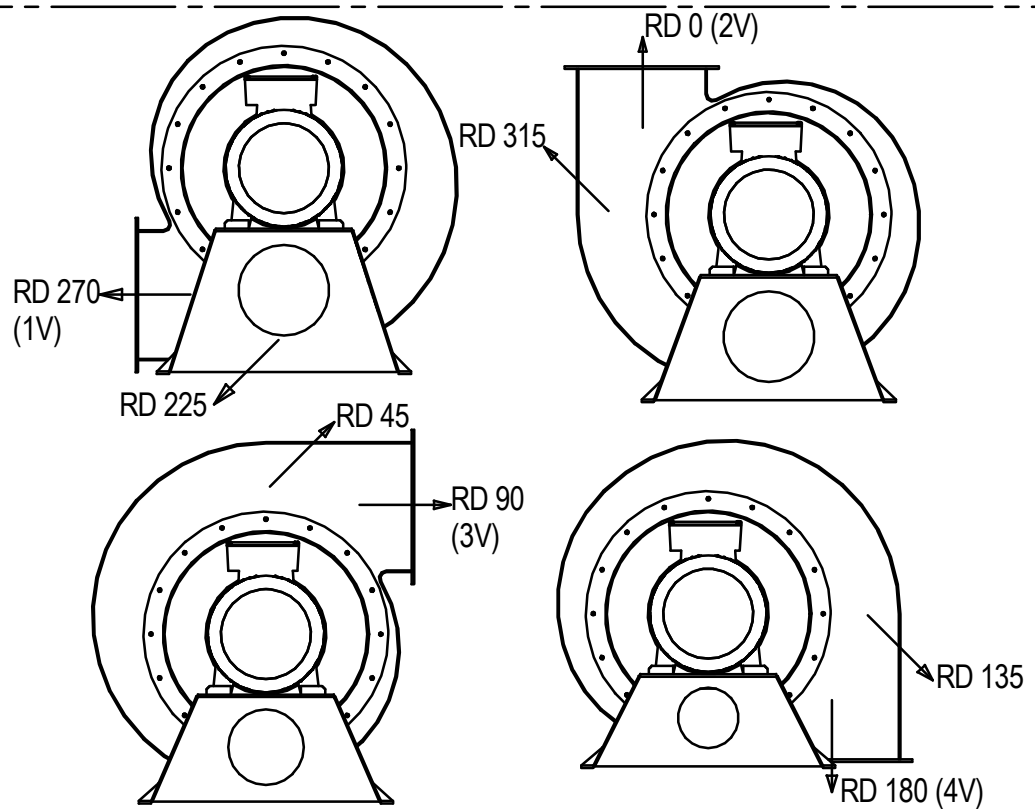
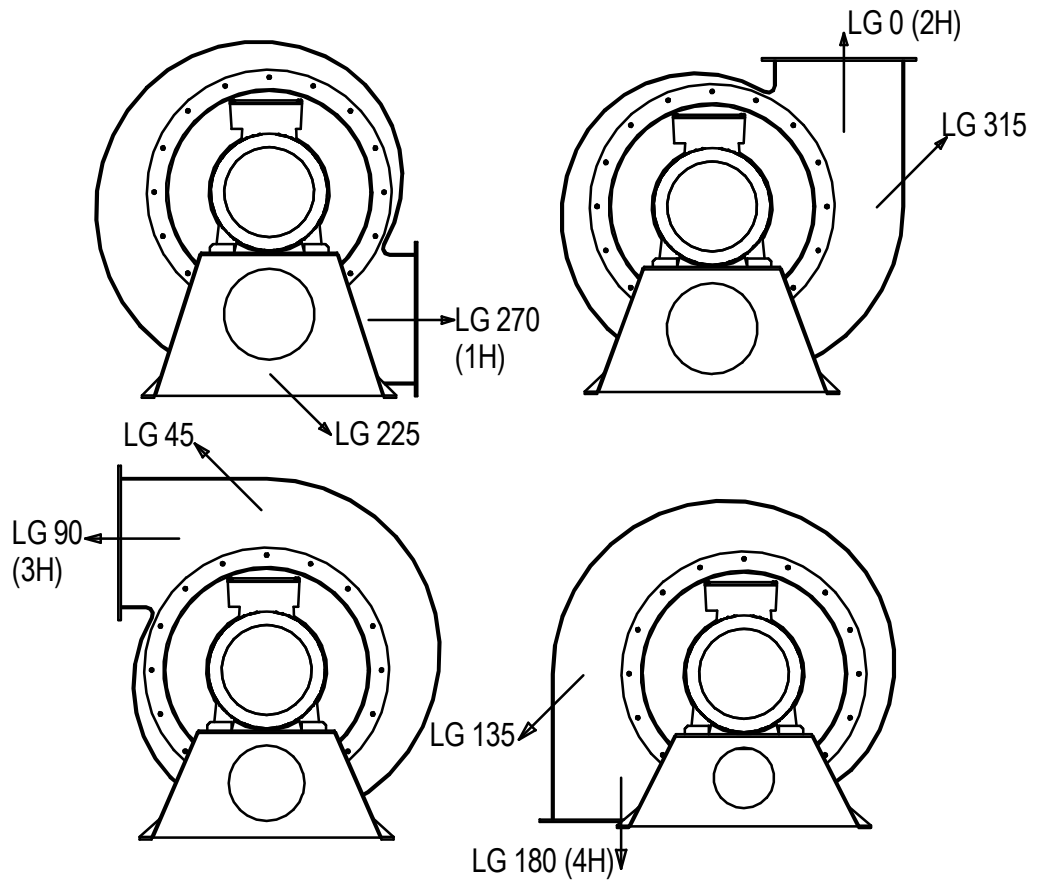


NYBORG AS
N-6230 Sykkylven, Norway
tel.: +47 70 25 40 80
fax: +47 70 25 29 08
office@nyborgfan.com
www.nyborgfan.com

LSV and MSV



MOUNTING POSITIONS IN ACCORDANCE TO EUROVENT CENTRIFUGAL FANS



06.12.00

F. Østro
4-2013-1



NYBORG - MAWENT

NYBORG-MAWENT S.A.
ul. Ciepła 6, 82-200 Malbork
tel.: +48 55 646 63 00
fax: +48 55 646 63 09
office@nyborg-mawent.com
www.nyborg-mawent.com



NYBORG AS
N-6230 Sykkylven, Norway
tel.: +47 70 25 40 80
fax: +47 70 25 29 08
office@nyborgfan.com
www.nyborgfan.com



Centrifugal Fans

Explanation of Fan Model Number

Fan model number is stated in the following way: Centrifugal Fan model MSV 160 B1.

| | | | |
|---------------|---------------|---|---|
| MSV | 160 | B | 1 |
| figure no 1-3 | Figure no 4-6 | 7 | 8 |

1. - 3. figure:

LSV : Low pressure centrifugal fan
MSV : Medium pressure centrifugal fan
HSV, HZV, HRV : High pressure centrifugal fan

4. -6. figure:

The size of the fan.

The numbers refers to nominal diameter (mm) on the fan's suction flange.

8.figure

- 1: Direct driven. impeller mounted on motor shaft
- 2: Belt driven. motor placed alongside the fan
- 3: Belt driven. motor mounted on the fan, belt screened



NYBORG-MAWENT S.A.
ul. Ciepła 6, 82-200 Malbork
tel.: +48 55 646 63 00
fax: +48 55 646 63 09
office@nyborg-mawent.com
www.nyborg-mawent.com



NYBORG AS
N-6230 Sykkylven, Norway
tel.: +47 70 25 40 80
fax: +47 70 25 29 08
office@nyborgfan.com
www.nyborgfan.com



SOUND POWER LEVELS (SWL) CALC. NYBORG CENTRIFUGAL FANS

| FAN DATA | | | dB values at centre Hz | | | | | | | | Theor |
|-----------|------|-------------|------------------------|-----|-----|-----|------|------|------|------|-------|
| FAN MODEL | Rpm | Impeller | 63 | 125 | 250 | 500 | 1000 | 2000 | 4000 | 8000 | dB A |
| LSV 250 B | 1450 | B12x300x80 | 80 | 72 | 70 | 62 | 62 | 57 | 54 | 52 | 57 |
| LSV 250 B | 2900 | B12x300x80 | 90 | 93 | 85 | 84 | 76 | 75 | 71 | 67 | 75 |
| LSV 315 B | 1450 | B12x350x100 | 84 | 76 | 74 | 66 | 66 | 61 | 58 | 56 | 61 |
| LSV 315 B | 2900 | B12x350x100 | 96 | 99 | 91 | 90 | 82 | 81 | 77 | 73 | 81 |
| LSV 400 B | 1450 | B6x450x100 | 92 | 84 | 82 | 74 | 74 | 69 | 66 | 64 | 70 |
| LSV 500 B | 1450 | B7x550x125 | 98 | 90 | 88 | 80 | 80 | 75 | 72 | 70 | 76 |
| LSV 600 B | 1450 | B7x650x140 | 103 | 95 | 93 | 85 | 85 | 80 | 77 | 75 | 81 |
| | | | | | | | | | | | |
| MSV 125 B | 2900 | B9x250x50 | 85 | 88 | 80 | 79 | 71 | 70 | 66 | 62 | 70 |
| MSV 160 B | 2900 | B12x300x60 | 89 | 92 | 84 | 83 | 75 | 74 | 70 | 66 | 75 |
| MSV 200 B | 1450 | B12x350x70 | 83 | 75 | 73 | 65 | 66 | 60 | 57 | 55 | 60 |
| MSV 200 B | 2900 | B12x350x70 | 97 | 100 | 92 | 91 | 83 | 82 | 78 | 74 | 79 |
| MSV 250 B | 1450 | B12x400x80 | 88 | 80 | 78 | 70 | 70 | 65 | 63 | 60 | 65 |
| MSV 250 B | 2900 | B12x400x80 | 100 | 103 | 95 | 94 | 86 | 85 | 81 | 77 | 85 |
| MSV 315 B | 1450 | B12x450x90 | 91 | 83 | 81 | 73 | 73 | 68 | 65 | 63 | 69 |
| MSV 315 B | 2900 | B12x450x90 | 103 | 106 | 98 | 97 | 89 | 88 | 84 | 80 | 88 |

- Sound power levels in dB. ref. 10⁻¹² W, internal values in fan openings.
- dBA values applies to 1 m. distance based on a theoretical free field environment.
- The sound power level values above are only intended as a guide, and may be used for calculations for sound pressure levels. (heard by the human ear).



NYBORG - MAWENT

NYBORG-MAWENT S.A.
ul. Ciepła 6, 82-200 Malbork
tel.: +48 55 646 63 00
fax: +48 55 646 63 09
office@nyborg-mawent.com
www.nyborg-mawent.com



NYBORG AS
N-6230 Sykkylven, Norway
tel.: +47 70 25 40 80
fax: +47 70 25 29 08
office@nyborgfan.com
www.nyborgfan.com



SOUND POWER LEVELS (SWL) CALC. NYBORG CENTRIFUGAL FANS

| FAN DATA | | | dB values at centre Hz | | | | | | | | Theor |
|-----------|------|-------------|------------------------|-----|-----|-----|------|------|------|------|-------|
| FAN MODEL | Rpm | Impeller | 63 | 125 | 250 | 500 | 1000 | 2000 | 4000 | 8000 | dBa |
| LSV 250 B | 1750 | B12x300x80 | 82 | 76 | 74 | 67 | 65 | 61 | 58 | 55 | 61 |
| LSV 250 B | 3500 | B12x300x80 | 95 | 98 | 93 | 90 | 84 | 81 | 77 | 74 | 82 |
| LSV 315 B | 1750 | B12x350x100 | 85 | 79 | 77 | 70 | 68 | 64 | 61 | 58 | 64 |
| LSV 315 B | 3500 | B12x350x100 | 98 | 101 | 96 | 93 | 87 | 84 | 80 | 77 | 85 |
| LSV 400 B | 1750 | B6x450x100 | 93 | 87 | 85 | 78 | 76 | 72 | 69 | 66 | 72 |
| LSV 500 B | 1750 | B7x550x125 | 99 | 93 | 91 | 84 | 82 | 78 | 75 | 72 | 79 |
| LSV 600 B | 1750 | B7x650x140 | 104 | 98 | 96 | 89 | 87 | 83 | 80 | 77 | 84 |
| | | | | | | | | | | | |
| MSV 125 B | 3500 | B9x250x50 | 89 | 92 | 87 | 84 | 78 | 75 | 71 | 68 | 75 |
| MSV 160 B | 3500 | B12x300x60 | 94 | 97 | 92 | 89 | 83 | 80 | 76 | 63 | 80 |
| MSV 200 B | 1750 | B12x350x70 | 84 | 78 | 76 | 69 | 67 | 63 | 60 | 57 | 63 |
| MSV 200 B | 3500 | B12x350x70 | 97 | 100 | 95 | 93 | 86 | 83 | 79 | 76 | 83 |
| MSV 250 B | 1750 | B12x400x80 | 90 | 84 | 82 | 75 | 73 | 69 | 66 | 63 | 70 |
| MSV 250 B | 3500 | B12x400x80 | 102 | 105 | 100 | 97 | 91 | 88 | 84 | 81 | 89 |
| MSV 315 B | 1750 | B12x450x90 | 94 | 88 | 86 | 79 | 77 | 73 | 70 | 67 | 73 |
| MSV 315 B | 3500 | B12x450x90 | 106 | 109 | 104 | 101 | 95 | 92 | 88 | 85 | 93 |

- Sound power levels in dB. ref. 10⁻¹² W, internal values in fan openings.
- dBA values applies to 1 m. distance based on a theoretical free field environment.
- The sound power level values above are only intended as a guide, and may be used for calculations for sound pressure levels. (heard by the human ear).



NYBORG - MAWENT

NYBORG-MAWENT S.A.
ul. Ciepła 6, 82-200 Malbork
tel.: +48 55 646 63 00
fax: +48 55 646 63 09
office@nyborg-mawent.com
www.nyborg-mawent.com



NYBORG AS
N-6230 Sykkylven, Norway
tel.: +47 70 25 40 80
fax: +47 70 25 29 08
office@nyborgfan.com
www.nyborgfan.com



PAINTING SPECIFICATION ALUMINIUM FANS

Surface preparation:

| Step No | Description | Thickness | Type | Manufacturer |
|---------|-------------|-----------|------------------|--------------|
| | | | | |
| 1 | Washing | - | Aluminate (acid) | Alu-Nor |
| 2 | Cleaning | - | Water | - |

Painting : Color RAL 5012

| Step No | Description | Thickness | Type | Manufacturer |
|---------|-------------|-----------|---------------------|--------------|
| | | | | |
| 1 | Primer | 30 my | Joton Washprimer | Jotun |
| 2 | Topcoat | 40 my | Jotun Ultra Topcoat | Jotun |

GALVANIZE SPECIFICATION STEEL FANS

Surface preparation:

| Step No | Description | Thickness | Type | Manufacturer |
|---------|-------------|-----------|-------------|--------------|
| | | | | |
| 1 | Cleaning | - | Nitric acid | - |
| 2 | Galvanizing | 80my | Zn | - |



NYBORG-MAWENT S.A.
ul. Ciepła 6, 82-200 Malbork
tel.: +48 55 646 63 00
fax: +48 55 646 63 09
office@nyborg-mawent.com
www.nyborg-mawent.com



NYBORG AS
N-6230 Sykkylven, Norway
tel.: +47 70 25 40 80
fax: +47 70 25 29 08
office@nyborgfan.com
www.nyborgfan.com