

# **NYBORG – MAWENT**

## **FIRE DAMPER TYPE KPP - A-0**

# RECTANGULAR FIRE DAMPER

**ELECTRIC FIRE DAMPER KPP 100 ÷ 1600 E Class: A0** is offered in sizes width x height from 100 mm to 1600 mm.

**Nominal voltage** is 24 V AC/DC or 230V AC.

**Equipped with:** Limit Switches Open/Close, manual opening device and fire non combustible. Promaglaf gasket (optionally).

**Bolting acc.** to NORSOK H-003 / ISO 15138 annex E.

## 1. DESTINATION

The place where fire dampers KPP can be used is ventilation and air-conditioning ducts. They are designed to prevent the spread of fire within the ventilation ductwork. Mounting position both vertical and horizontal (deck or bulkhead).

## 2. APPLICATION

**Fire dampers** have been fire tested in accordance with FTP Code 2010.

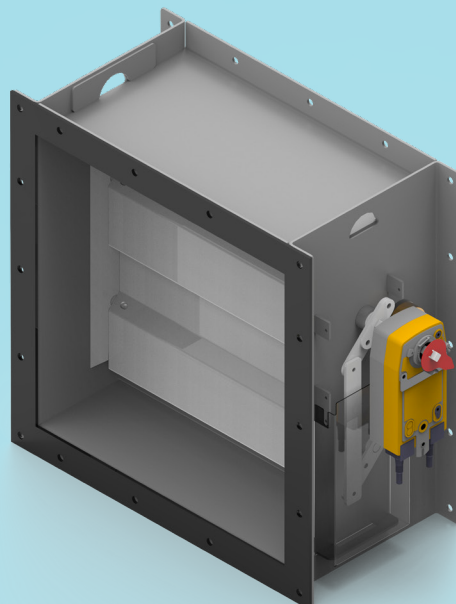
Fire class divisions are A0. **Achieved certificate number MED 1463.**

Fire dampers to be installed at deck or bulkhead by means of penetration.

Penetration to be produced in accordance to A0 class as minimum.

Gasket between damper and penetration must be made of non-combustible material.

As option **Promaglaf 5 mm gasket** could be delivered by producer of fire damper KPP.



## 3. OPERATION

Automatic fire dampers are manufactured with electric actuator, single-acting, spring-return. Electric actuator with voltage 24 AC/DC or 230V AC, frequency 50/60Hz, enclosure IP54. Power consumption 8W at opening and 3W if blades are kept in open position. Damper release time 16 seconds (closing), reset time 140 seconds (opening).

## 4. EXECUTION / CONSTRUCTION

**Fire damper consist** of rectangular flanged steel casing with set of moving blades and start-up mechanism that can be run automatically or manually. All of the structural items are made of stainless steel. The damper is equipped with GRP junction box and lifting lugs as a standard (lifting lugs required by norm NORSOK R-002). When damper is closed blades are braced on flat bars installed inside casing.

**Fire damper can be made in different sizes** WxH (width x height) in the range from 100 mm to 1600 mm. Drilling of flanges is done according to the ISO 15138.

**Fail-safe mechanism** is based on thermal release device. It operates if temperature inside or outside duct increases above set temperature (72 °C). If power supply is interrupted, spring-return actuator closes the blades. Electrically operated fire dampers are provided with allen key for manual override in case of power failure.

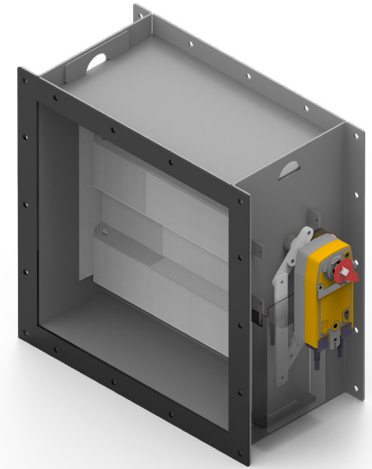
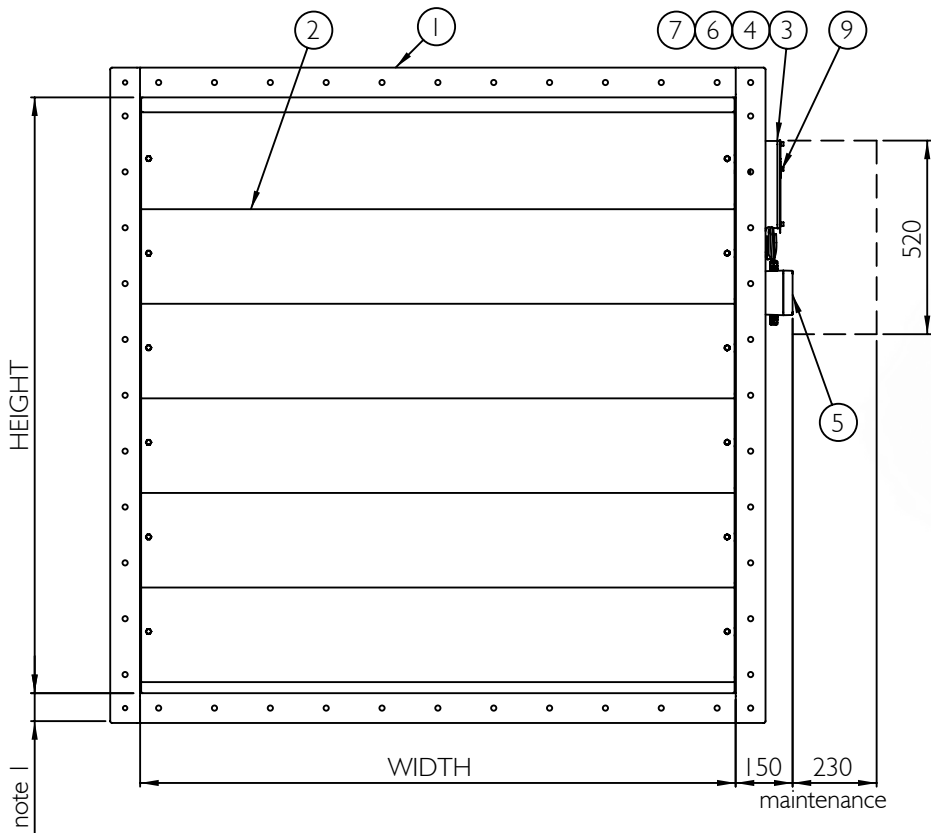
## 5. SIZES / DIMENSIONS

Height [mm]	Width [mm]	Length [mm]	Blades [qty]
<100; 400>	From 100 x 100 to 1600 x 1600	300	1
<400; 600>			2
<600; 800>			3
<800; 1050>			4
<1050; 1300>			5
<1300; 1600>			6

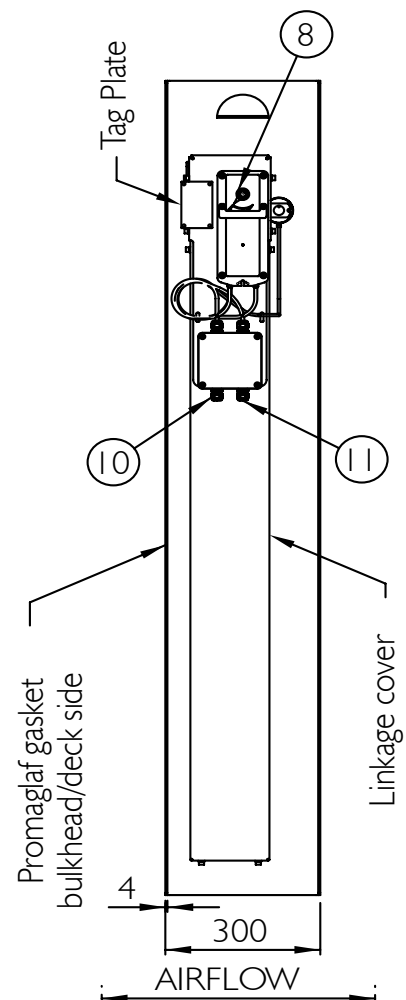
### Certificates:

Marine Equipment Directive 2014/90/EU EC Type Examination held by Polish Ship Registry Mark of Conformity 1463 (MED).

# KPP – A-0



- ① DAMPER HOUSING, Matl.: AISI 316L, 4 mm
- ② DAMPER BLADE/SHAFT, Matl.: AISI 316L, 2+2 mm/d16, double single skin
- ③ PROPULSION COVER, Matl.: AISI 316L, 1,5 mm
- ④ ACTUATOR, Electric, spring-return Belimo BF-T
- ⑤ TERMINAL BOX, Matl.: GRP, Abtech BPG
- ⑥ Thermoelectric Tripping Device, 72 °C Belimo
- ⑦ Open / Close LIMIT SWITCHES, in actuator
- ⑧ Open / Close INDICATOR
- ⑨ MANUAL OPENING DEVICE (allen key 3 mm)
- ⑩ POWER SUPPLY cable 3G (O6,5-14,0)
- ⑪ LIMIT SWITCH cable 5G (O6,5-14,0)



# 6. MARKING

An example of marking for Rectangular Fire Damper KPP

When ordering please state following data:

- Width (W),
- Height (H).

**Order Example:**

- KPP WxH E / A0.

**Order of fire damper with dimensions:**

- width = 1600 and height = 1600 looks as follows: KPP 1600x1600 E / A0.

**Nyborg-Mawent S.A.**

Ciepła Street 6, 82-200 Malbork, POLAND

T +48 55 646 63 00

F +48 55 646 63 09

office@nyborg-mawent.com

www.nyborg-mawent.com

